



Chipsmall Limited consists of a professional team with an average of over 10 year of expertise in the distribution of electronic components. Based in Hongkong, we have already established firm and mutual-benefit business relationships with customers from,Europe,America and south Asia,supplying obsolete and hard-to-find components to meet their specific needs.

With the principle of "Quality Parts,Customers Priority,Honest Operation,and Considerate Service",our business mainly focus on the distribution of electronic components. Line cards we deal with include Microchip,ALPS,ROHM,Xilinx,Pulse,ON,Everlight and Freescale. Main products comprise IC,Modules,Potentiometer,IC Socket,Relay,Connector.Our parts cover such applications as commercial,industrial, and automotives areas.

We are looking forward to setting up business relationship with you and hope to provide you with the best service and solution. Let us make a better world for our industry!



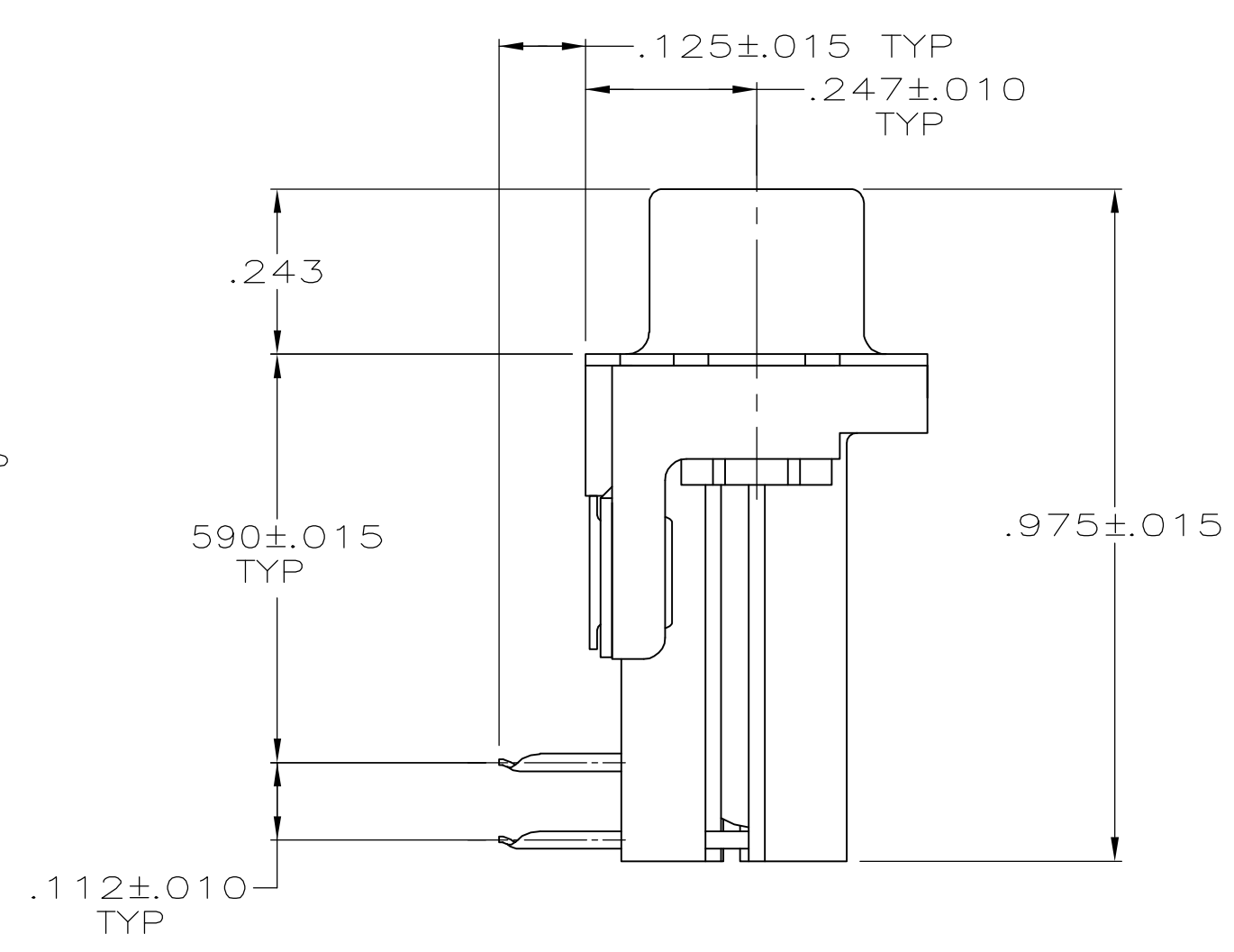
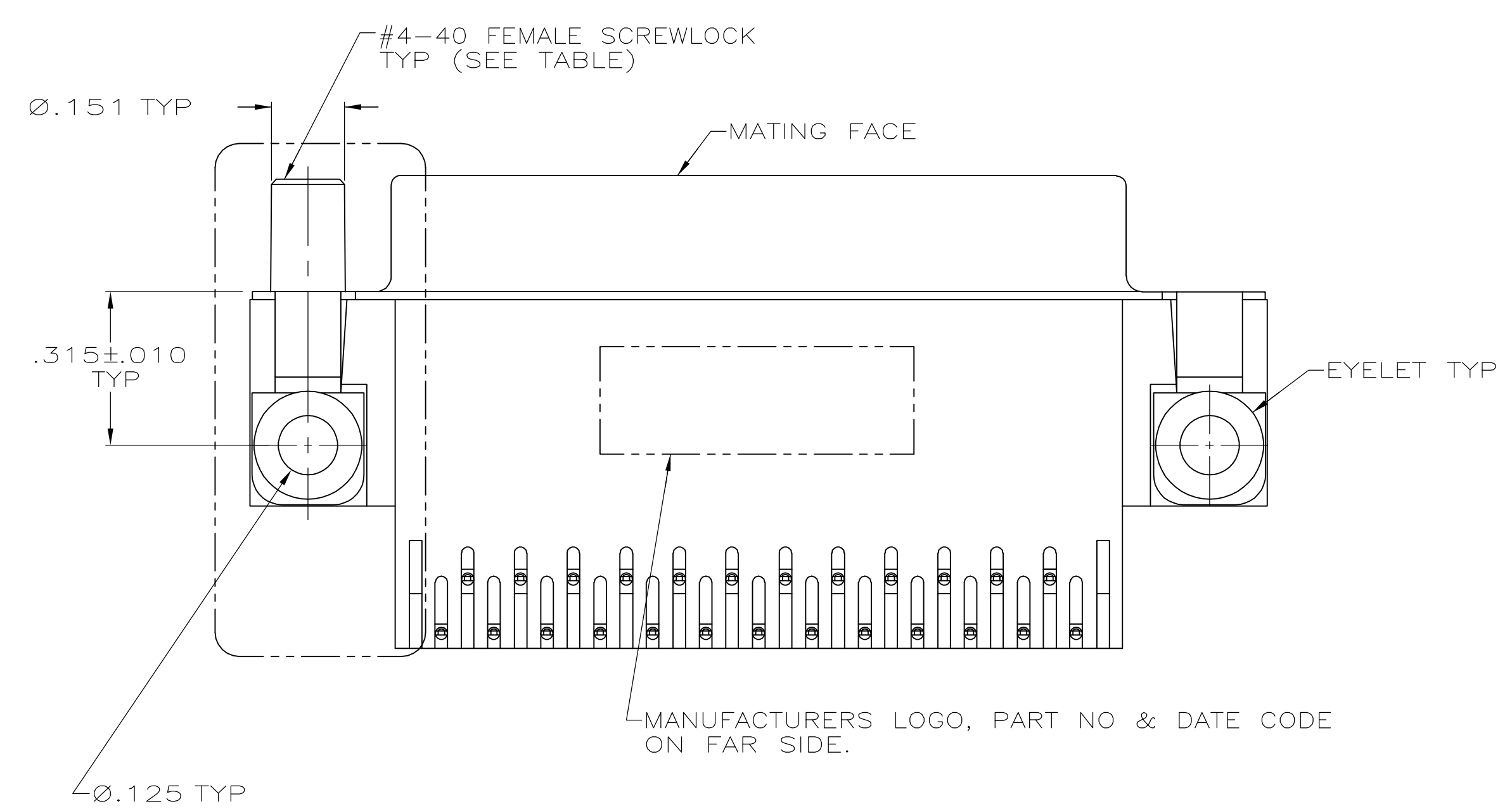
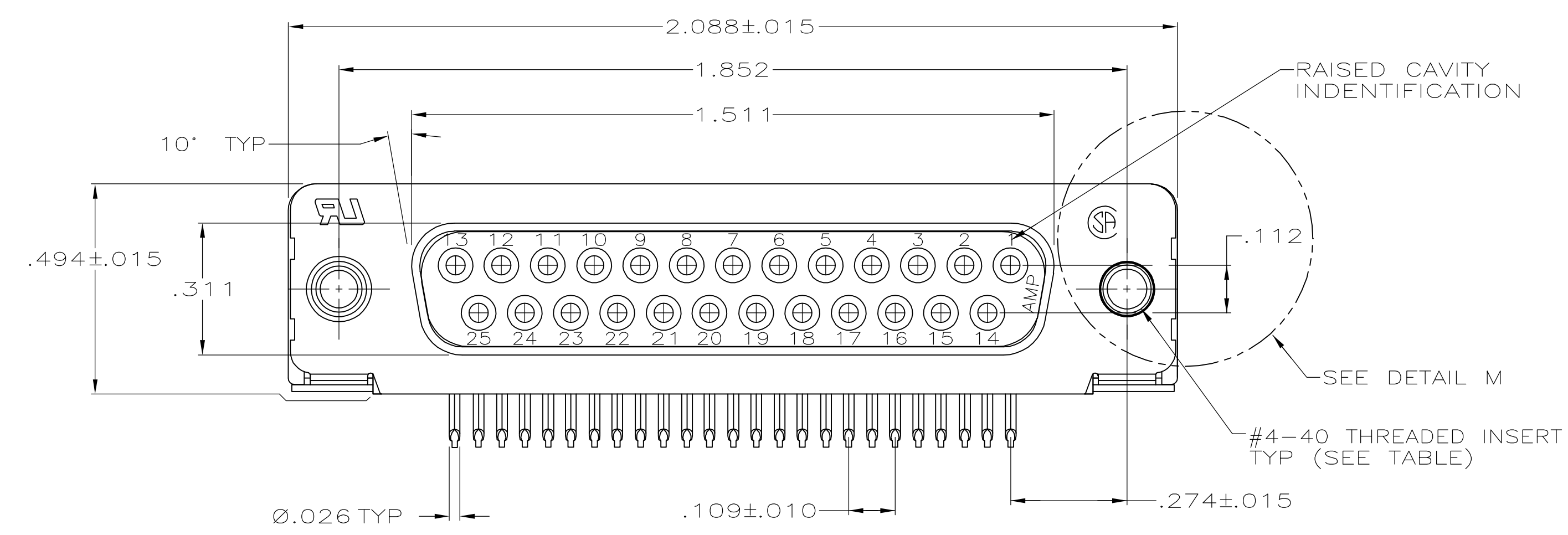
Contact us

Tel: +86-755-8981 8866 Fax: +86-755-8427 6832

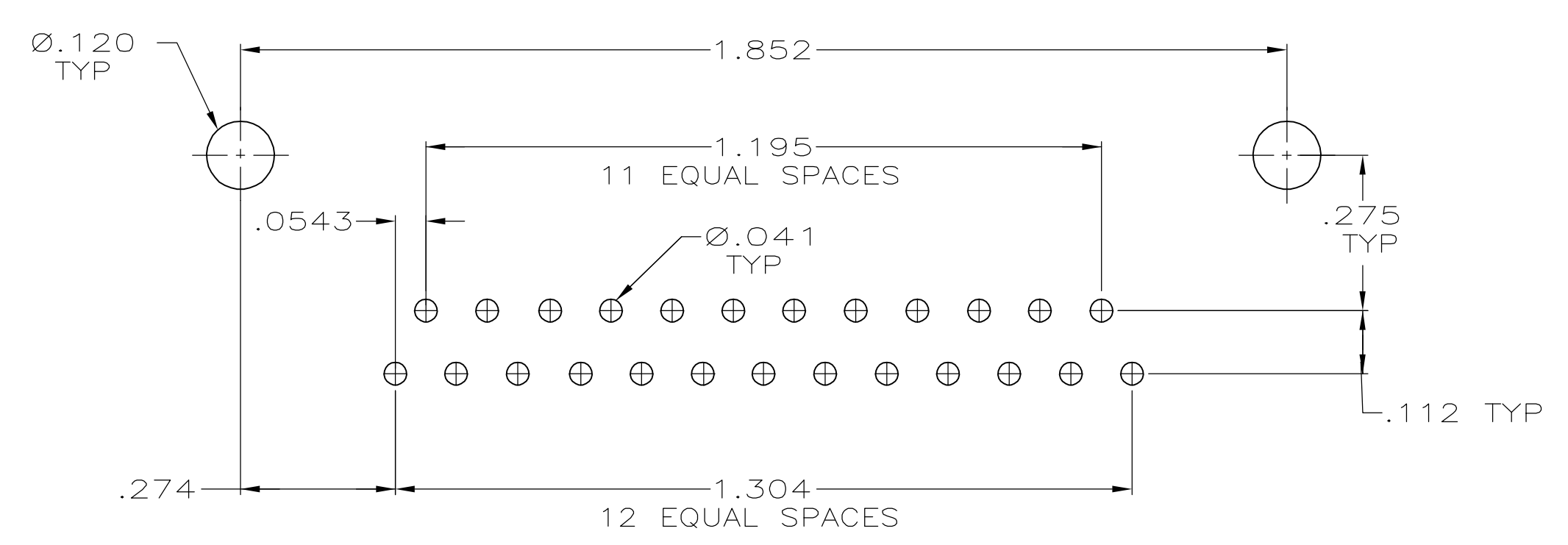
Email & Skype: info@chipsmall.com Web: www.chipsmall.com

Address: A1208, Overseas Decoration Building, #122 Zhenhua RD., Futian, Shenzhen, China

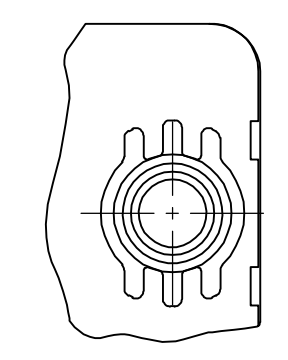




- ① MOLDED PARTS: FLAME RETARDANT 94V-0 RATED THERMOPLASTIC, BLACK.
 SHELL: CARBON STEEL
 CONTACTS: PHOSPHOR BRONZE
 EYELETS: BRASS
 SCREWLOCKS: ZINC
 INSERTS: ZINC
- ② SHELL: .000100 MIN TIN OVER .000050 MIN COPPER.
 CONTACTS: SEE TABLE
 EYELETS: .000100 MIN TIN OVER COPPER FLASH.
 SCREWLOCKS: CLEAR CHROMATE
 INSERTS: CLEAR CHROMATE
- ③ GOLD FLASH FOR A DISTANCE OF .100 MIN FROM MATING END, .000100 MIN TIN ON SOLDER POST, ALL OVER .000050 MIN NICKEL.
- ④ .000030 MIN GOLD FOR A DISTANCE OF .100 MIN FROM MATING END, .000100 MIN TIN ON SOLDER POST, ALL OVER .000050 MIN NICKEL.



RECOMMENDED P.C. BOARD MOUNTING DIMENSIONS



DETAIL M
FOR -6 ONLY

**COPYRIGHT 2005
 TYCO ELECTRONICS CORP
 ALL RIGHTS RESERVED**

FEMALE SCREWLOCKS	④	5745992-6
THREADED INSERTS	③	5745992-3
MOUNTING HARDWARE	CONTACT FINISH	PART NUMBER
THIS DRAWING IS A CONTROLLED DOCUMENT.		
DIMENSIONS: INCHES	TOLERANCES UNLESS OTHERWISE SPECIFIED:	
0 PLC	± -	
1 PLC	± -	
2 PLC	± -	
3 PLC	± .005	
4 PLC	± -	
ANGLES	± °	
MATERIAL	FINISH	
THIS DRAWING IS A CONTROLLED DOCUMENT. DWN: A. FERNANDEZ-DUCKS 04-11-05 CHK: S. BOLASH 04-11-05 APVD: M. WALMSLEY 04-11-05 NAME: RCPT ASSY, SIZE 3, 25 POSN, RTANG, W/FRONT METAL SHELL, .026 DIA POSTS, AMLPIMITE HD-20 (.590 FOOTPRINT) SHORT LEG PRODUCT SPEC: 108-40025 APPLICATION SPEC: 114-40010 SIZE: A1 CAGE CODE: 00779 DRAWING NO: 5745992 WEIGHT: - RESTRICTED TO: - CUSTOMER DRAWING		Tyco Electronics Corporation Harrisburg, PA 17105-3608 Tyco Electronics SCALE: 4:1 SHEET: 1 OF 1 REV: 0