



Chipsmall Limited consists of a professional team with an average of over 10 year of expertise in the distribution of electronic components. Based in Hongkong, we have already established firm and mutual-benefit business relationships with customers from,Europe,America and south Asia,supplying obsolete and hard-to-find components to meet their specific needs.

With the principle of "Quality Parts,Customers Priority,Honest Operation,and Considerate Service",our business mainly focus on the distribution of electronic components. Line cards we deal with include Microchip,ALPS,ROHM,Xilinx,Pulse,ON,Everlight and Freescale. Main products comprise IC,Modules,Potentiometer,IC Socket,Relay,Connector.Our parts cover such applications as commercial,industrial, and automotives areas.

We are looking forward to setting up business relationship with you and hope to provide you with the best service and solution. Let us make a better world for our industry!



Contact us

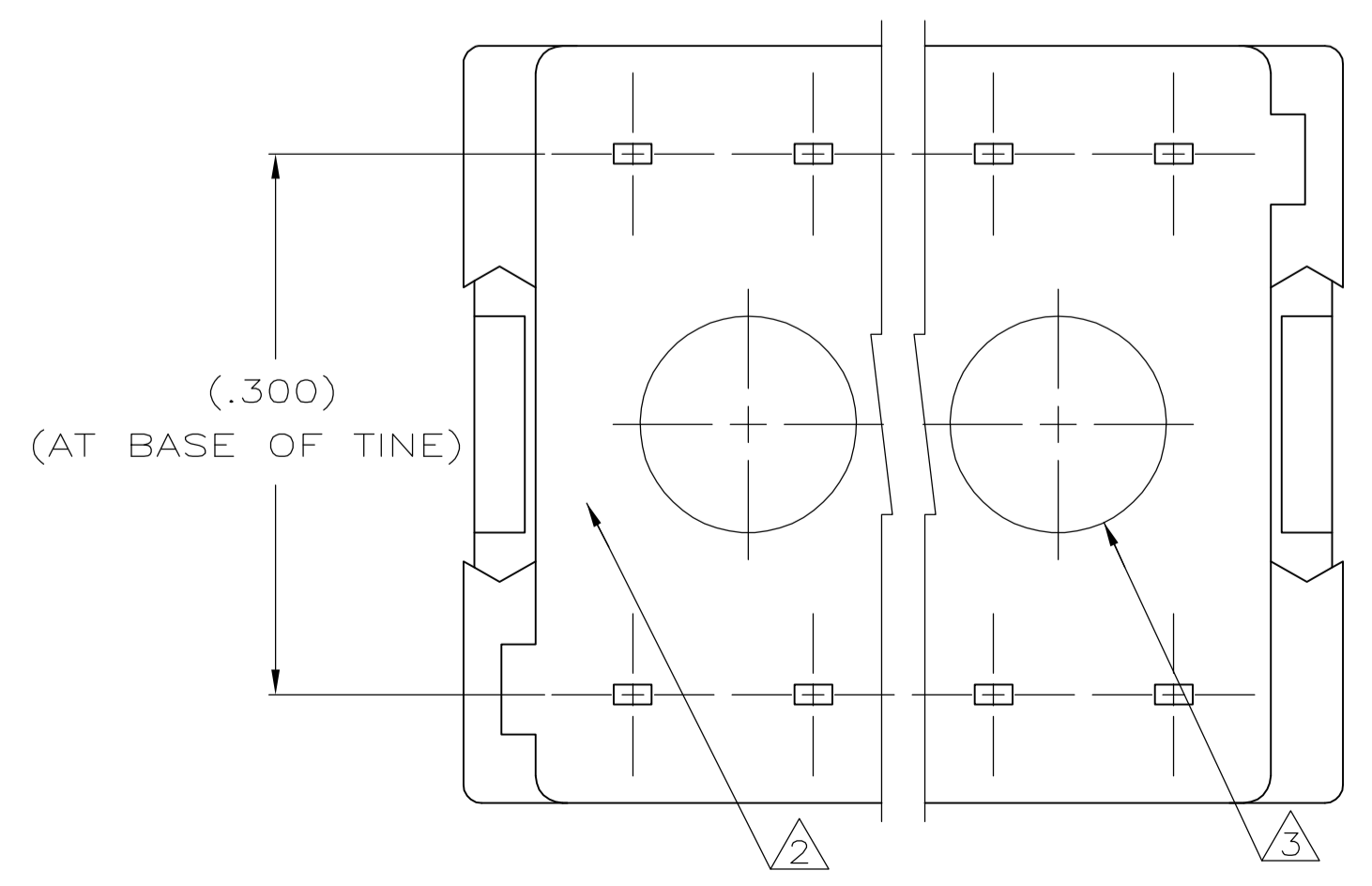
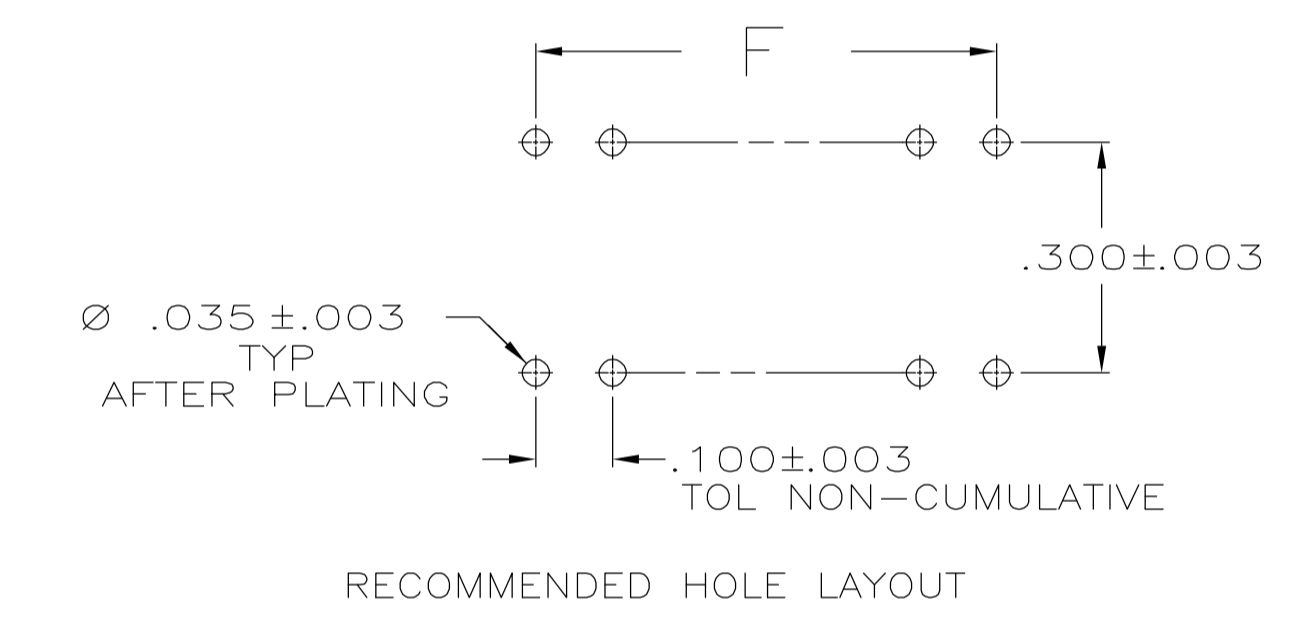
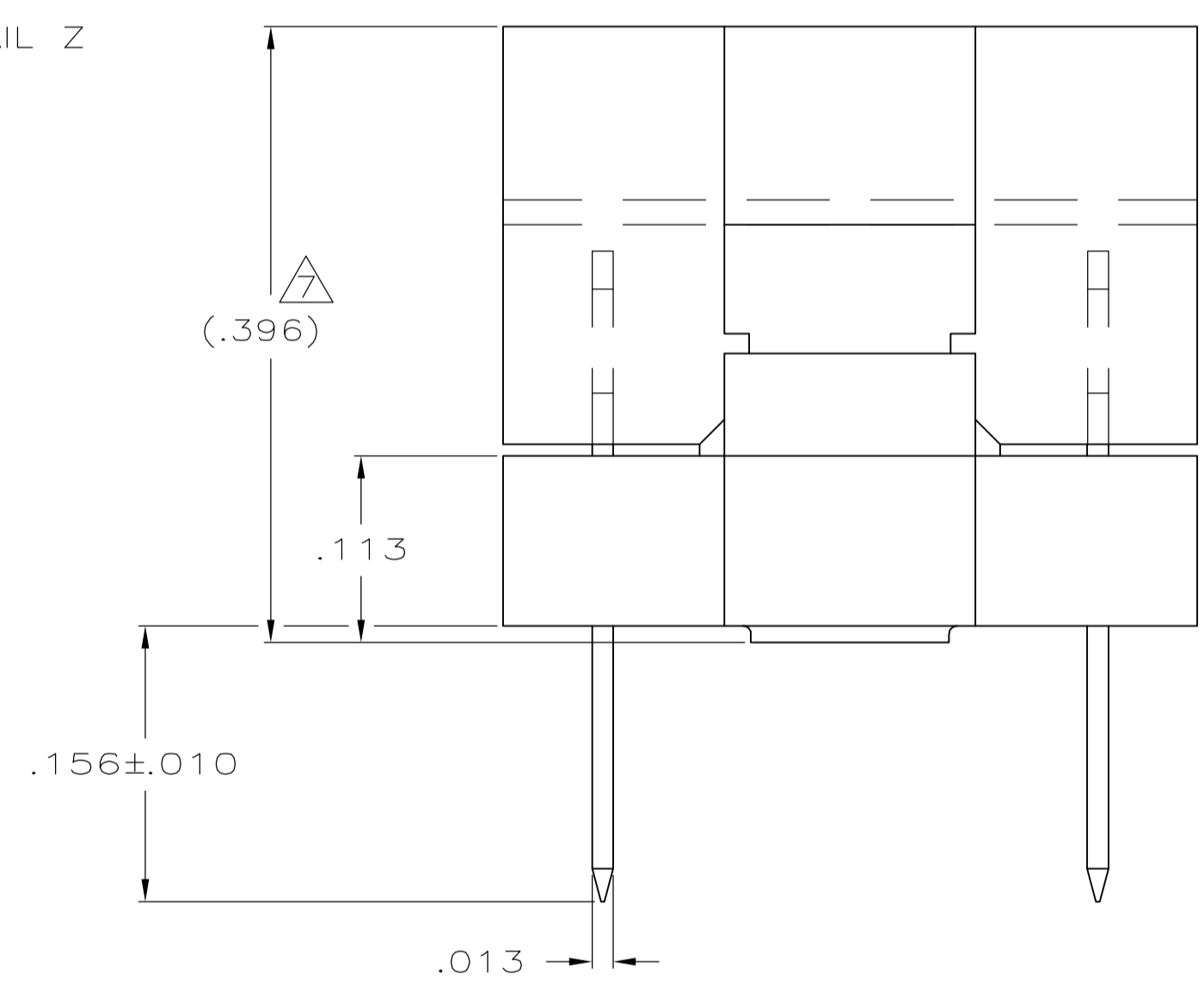
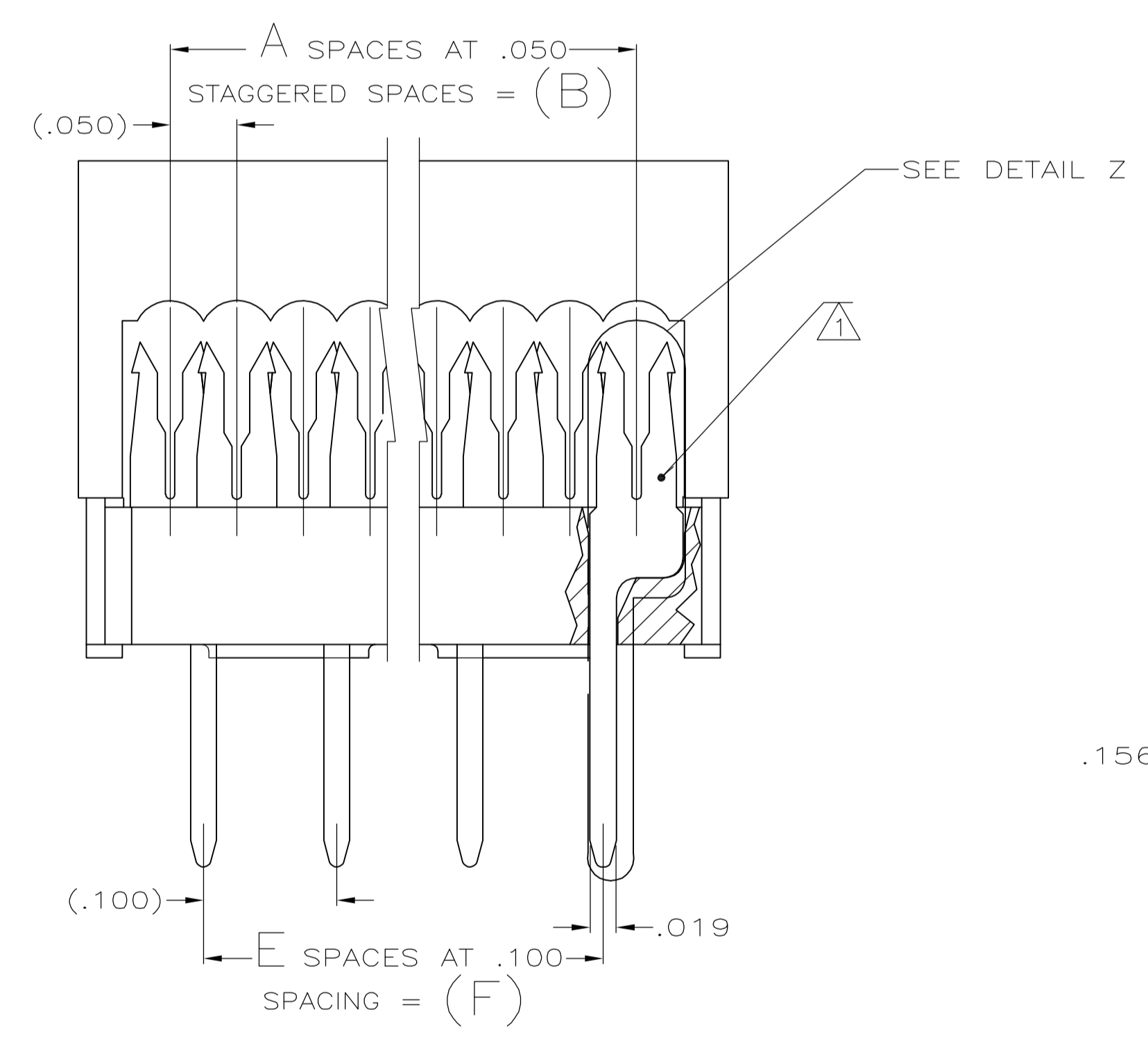
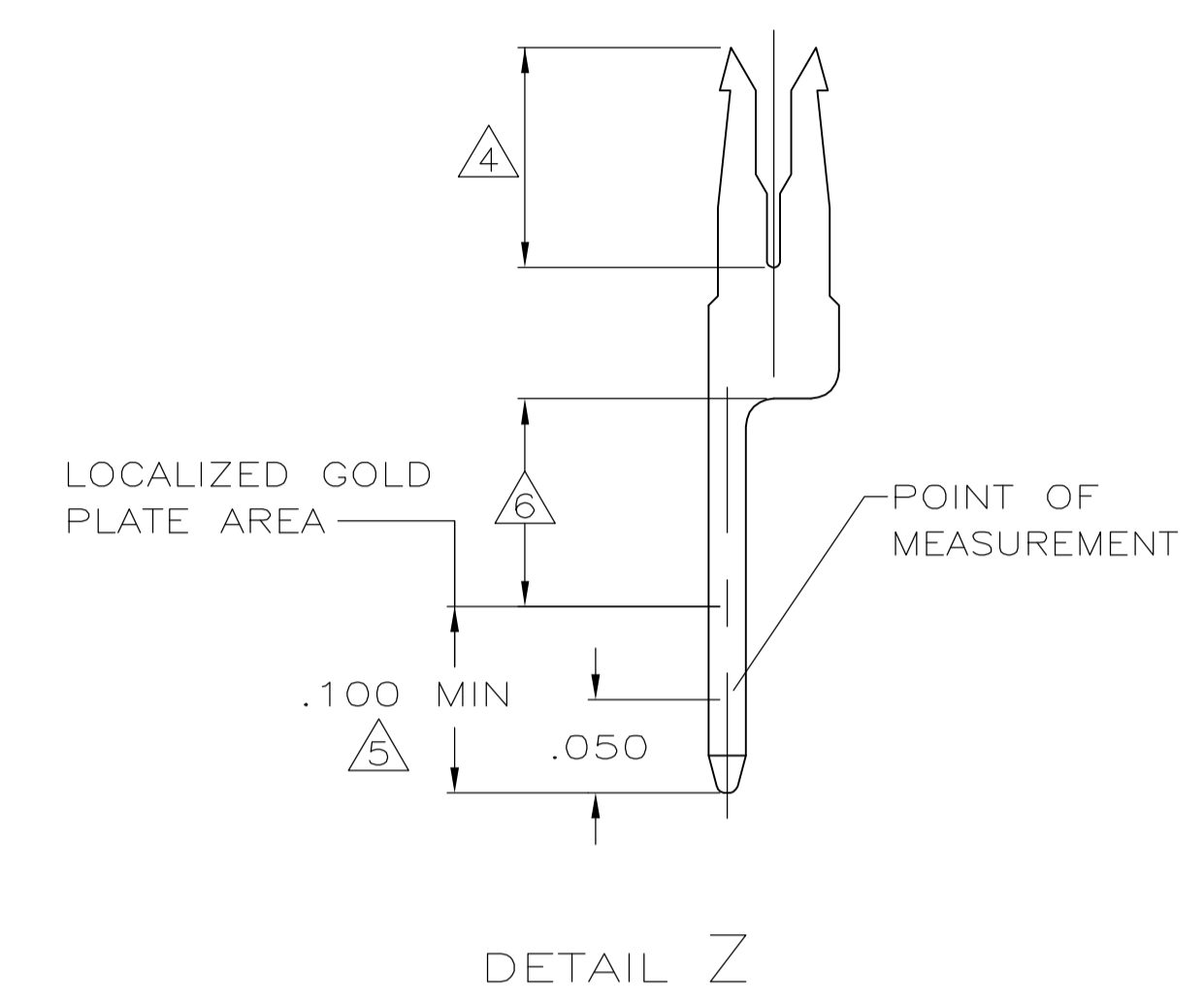
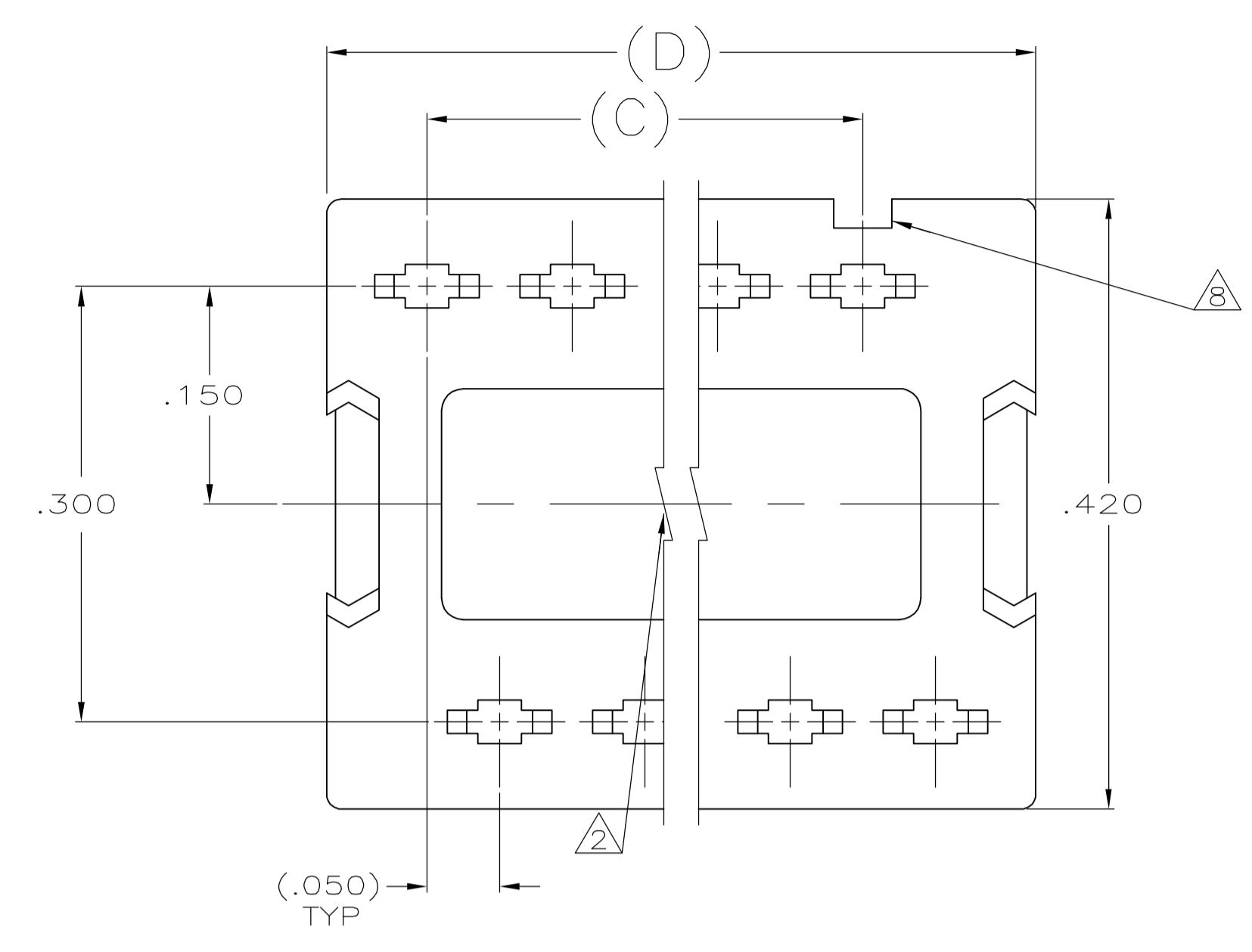
Tel: +86-755-8981 8866 Fax: +86-755-8427 6832

Email & Skype: info@chipsmall.com Web: www.chipsmall.com

Address: A1208, Overseas Decoration Building, #122 Zhenhua RD., Futian, Shenzhen, China



- ① CONTACTS DESIGNED FOR 28 AWG STRANDED OR 26,28, & 30 AWG SOLID WIRE.
- ② AMP TRADEMARK LOCATED IN APPROX AREA SHOWN.
- ③ STANDOFFS: POSN 8 (2) STANDOFFS AS SHOWN. POSN 14-18 (3) STANDOFFS, (1) CENTERED BETWEEN (2) SHOWN
- ④ PLATED WITH .000005 MIN GOLD IN IDC AREA OVER .000050 MIN NICKEL.
- ⑤ PLATED WITH .000015 GOLD OVER .000050 NICKEL.
- ⑥ GOLD FLASH OVER .000050 NICKEL.
- ⑦ HEIGHT AFTER TERMINATION IS (.253).
- ⑧ INDICATES NO 1 POSITION.
- ⑨ MOLDED PARTS: THERMOPLASTIC, 94V-0 RATED, BLACK. CONTACTS: PHOSPHOR BRONZE.



.700	7	.888	.700	.750	15	16	5746612-3
.600	6	.788	.600	.650	13	14	5746612-2
F	E	D	C	B	A	NO OF POSN	PART NUMBER
THIS DRAWING IS A CONTROLLED DOCUMENT.							
DIMENSIONS: INCHES		TOLERANCES UNLESS OTHERWISE SPECIFIED:		APVD: M. WALMSLEY 11-29-04		NAME: Tyco Electronics Corporation Harrisburg, PA 17105-3608	
0 PLC ± -		1 PLC ± -		2 PLC ± -		3 PLC ± .005	
4 PLC ± -		ANGLES ± -		PRODUCT SPEC: 108-40013		KIT, DIP PLUG, PREASSEMBLED, .100 X .300, 15 GOLD DUPLEX CONTACTS, AMP-LATCH	
MATERIAL: ⑨		FINISH: ④⑤⑥		APPLICATION SPEC: 114-40005		RESTRICTED TO: -	
WEIGHT: -		SIZE: A1		CUSTOMER DRAWING		SCALE: 10:1 SHEET 1 OF 1 REV A	