



Chipsmall Limited consists of a professional team with an average of over 10 year of expertise in the distribution of electronic components. Based in Hongkong, we have already established firm and mutual-benefit business relationships with customers from,Europe,America and south Asia,supplying obsolete and hard-to-find components to meet their specific needs.

With the principle of “Quality Parts,Customers Priority,Honest Operation,and Considerate Service”,our business mainly focus on the distribution of electronic components. Line cards we deal with include Microchip,ALPS,ROHM,Xilinx,Pulse,ON,Everlight and Freescale. Main products comprise IC,Modules,Potentiometer,IC Socket,Relay,Connector.Our parts cover such applications as commercial,industrial, and automotives areas.

We are looking forward to setting up business relationship with you and hope to provide you with the best service and solution. Let us make a better world for our industry!



Contact us

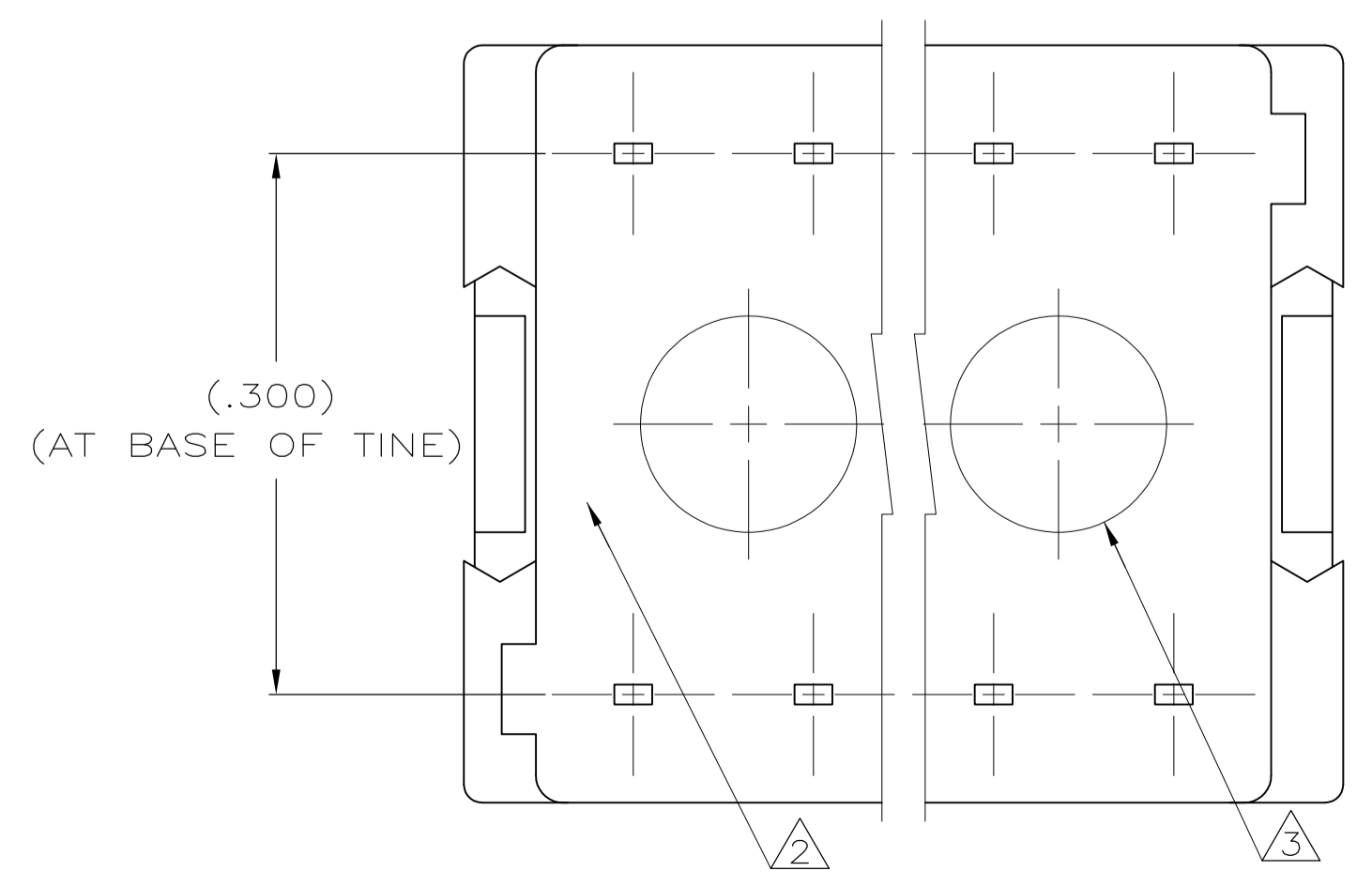
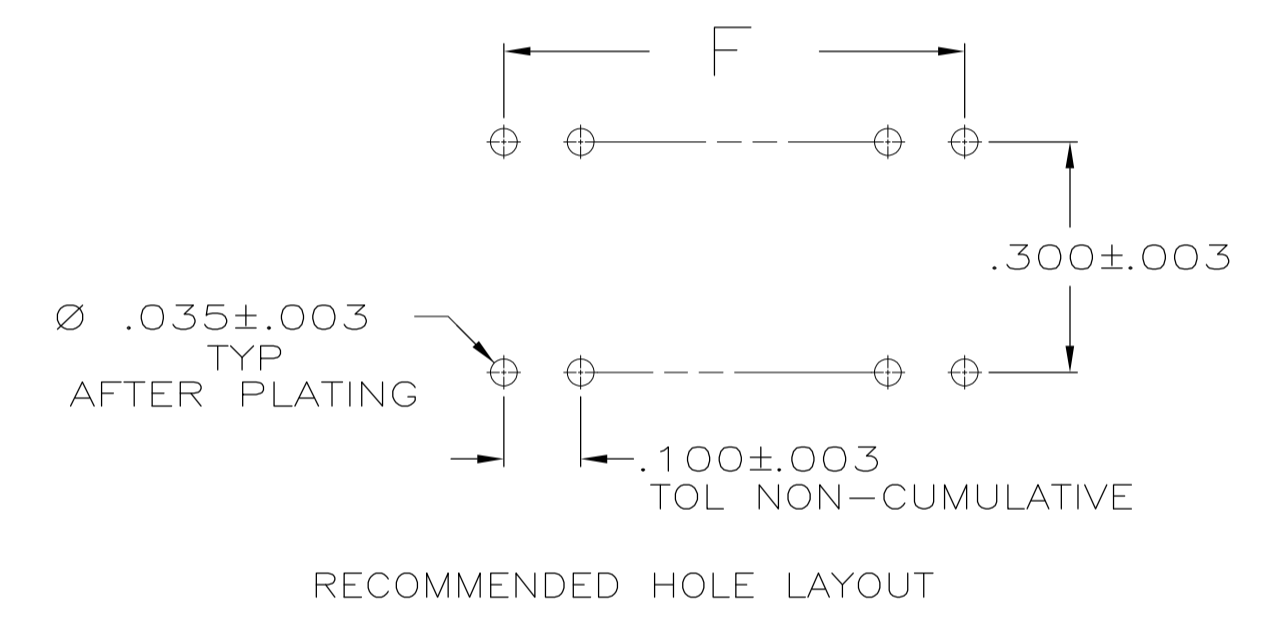
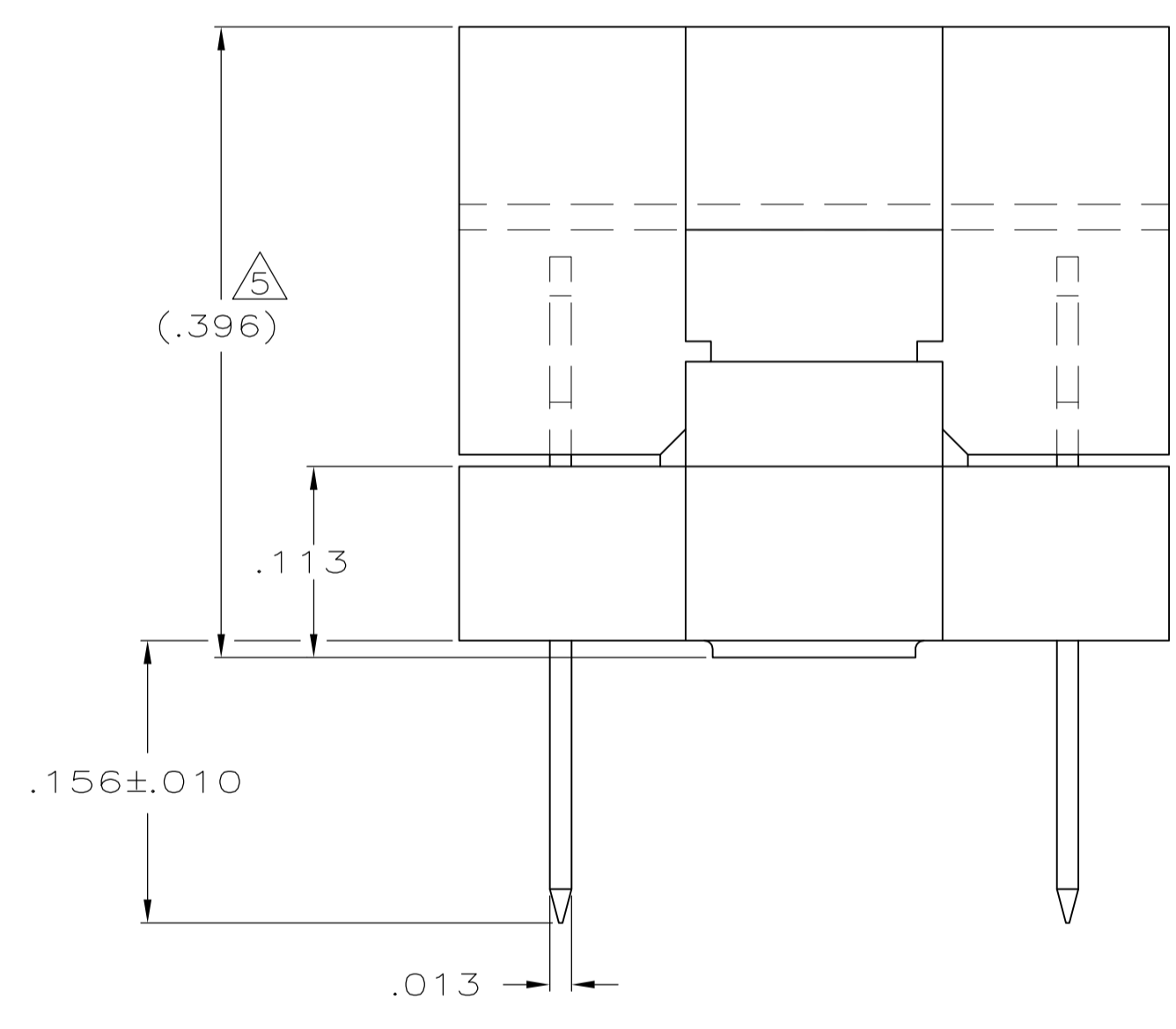
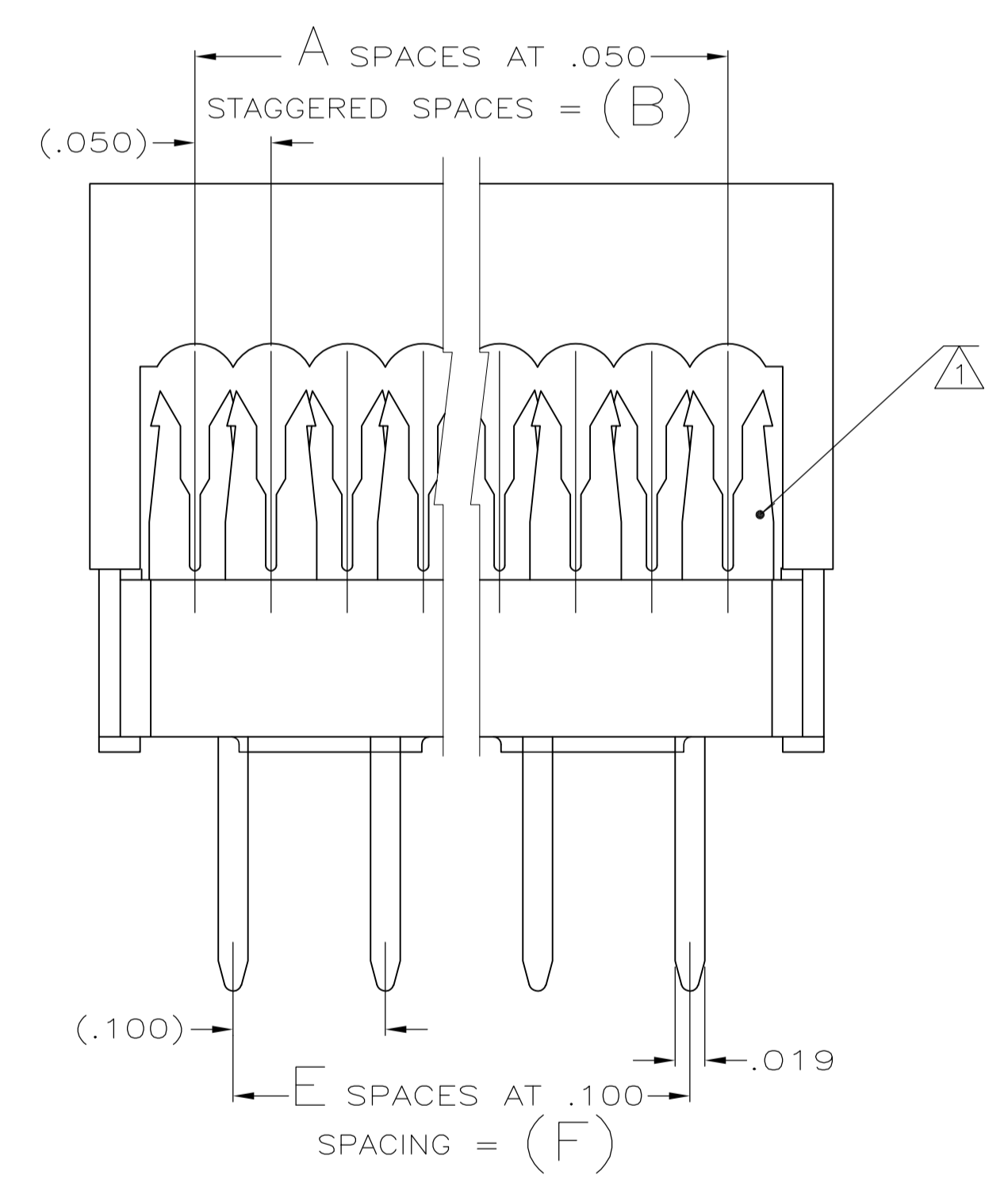
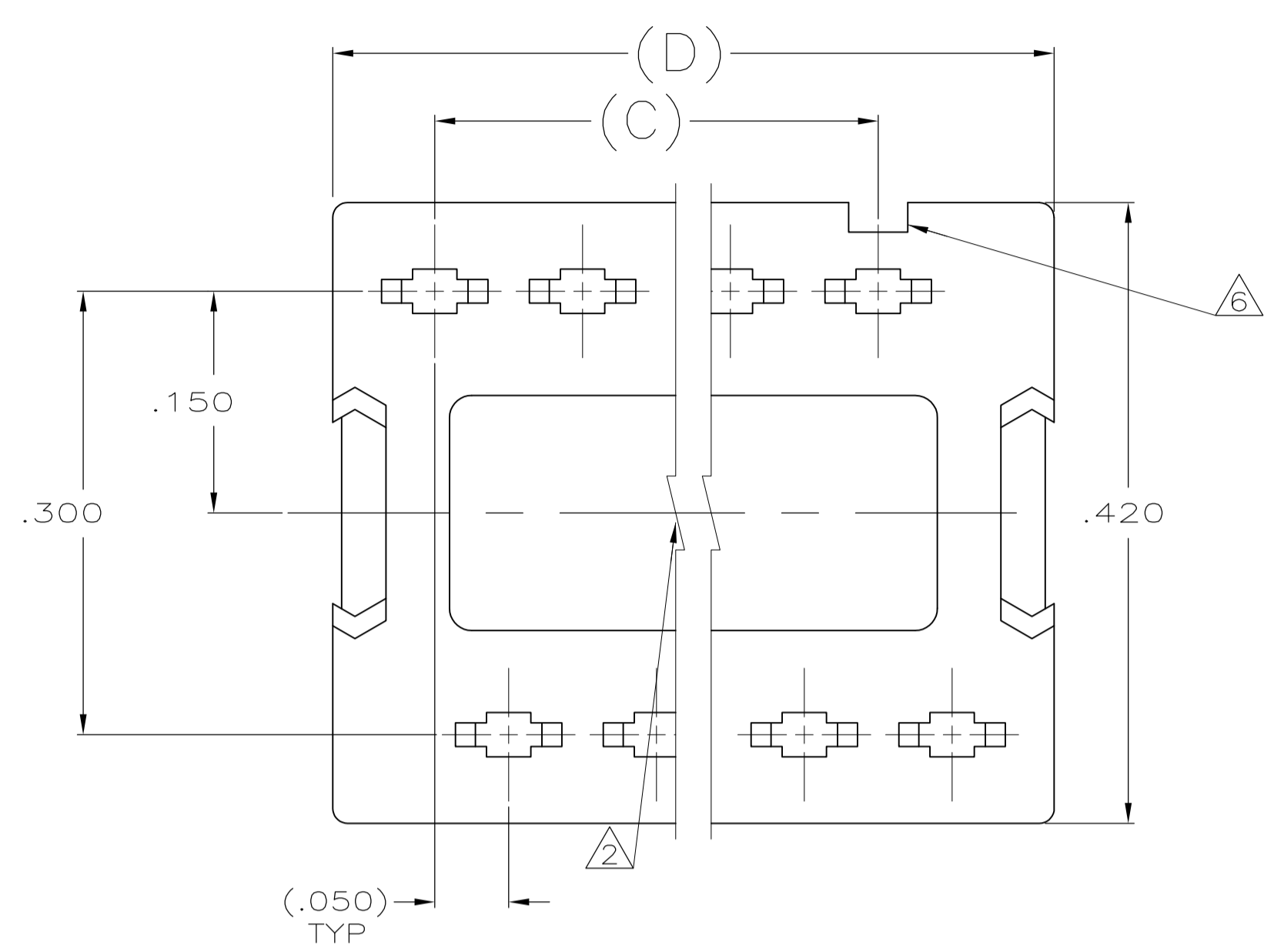
Tel: +86-755-8981 8866 Fax: +86-755-8427 6832

Email & Skype: info@chipsmall.com Web: www.chipsmall.com

Address: A1208, Overseas Decoration Building, #122 Zhenhua RD., Futian, Shenzhen, China



- ① CONTACTS DESIGNED FOR 28 AWG STRANDED OR 26,28, & 30 AWG SOLID WIRE.
- ② AMP TRADEMARK LOCATED IN APPROX AREA SHOWN.
- ③ STANDOFFS: POSN 8 (2) STANDOFFS AS SHOWN. POSN 14-20 (3) STANDOFFS, (1) CENTERED BETWEEN (2) SHOWN
- ④ .000005 MIN GOLD ON RIBBON CABLE TERMINATION AREA
.000100-.000200 MATTE TIN ON SOLDER TAILS, ALL OVER
.000050 MIN NICKEL.
- ⑤ HEIGHT AFTER TERMINATION IS (.253).
- ⑥ INDICATES NO 1 POSITION.
- ⑦ MOLDED PARTS: 94V-0 RATED THERMOPLASTIC, COLOR BLACK.
CONTACTS: PHOS BRONZE



OBSOLETE	.900	9	1.088	.900	.950	19	20	5746613-5
OBSOLETE	.800	8	.988	.800	.850	17	18	-4
	.700	7	.888	.700	.750	15	16	-3
	.600	6	.788	.600	.650	13	14	-2
	.300	3	.488	.300	.350	7	8	5746613-1
	F	E	D	C	B	A	NO OF POSN	

THIS DRAWING IS A CONTROLLED DOCUMENT.

DIMENSIONS: INCHES	TOLERANCES UNLESS OTHERWISE SPECIFIED:	APVD: M. WALMSLEY	NAME: KIT, AMP-LATCH DIP PLUG, PREASSEMBLED .100 X .300 CENTERS.
0. PLC ± -	1. PLC ± -	11-29-04	108-40013
2. PLC ± -	3. PLC ± .005	11-29-04	114-40005
4. PLC ± -	ANGLES ± -	SIZE: A1	000779
MATERIAL: ⑦	FINISH: ④	WEIGHT: -	5746613
CUSTOMER DRAWING		SCALE: NTS	SHEET 1 OF 1 REV B1