



Chipsmall Limited consists of a professional team with an average of over 10 year of expertise in the distribution of electronic components. Based in Hongkong, we have already established firm and mutual-benefit business relationships with customers from,Europe,America and south Asia,supplying obsolete and hard-to-find components to meet their specific needs.

With the principle of “Quality Parts,Customers Priority,Honest Operation,and Considerate Service”,our business mainly focus on the distribution of electronic components. Line cards we deal with include Microchip,ALPS,ROHM,Xilinx,Pulse,ON,Everlight and Freescale. Main products comprise IC,Modules,Potentiometer,IC Socket,Relay,Connector.Our parts cover such applications as commercial,industrial, and automotives areas.

We are looking forward to setting up business relationship with you and hope to provide you with the best service and solution. Let us make a better world for our industry!



Contact us

Tel: +86-755-8981 8866 Fax: +86-755-8427 6832

Email & Skype: info@chipsmall.com Web: www.chipsmall.com

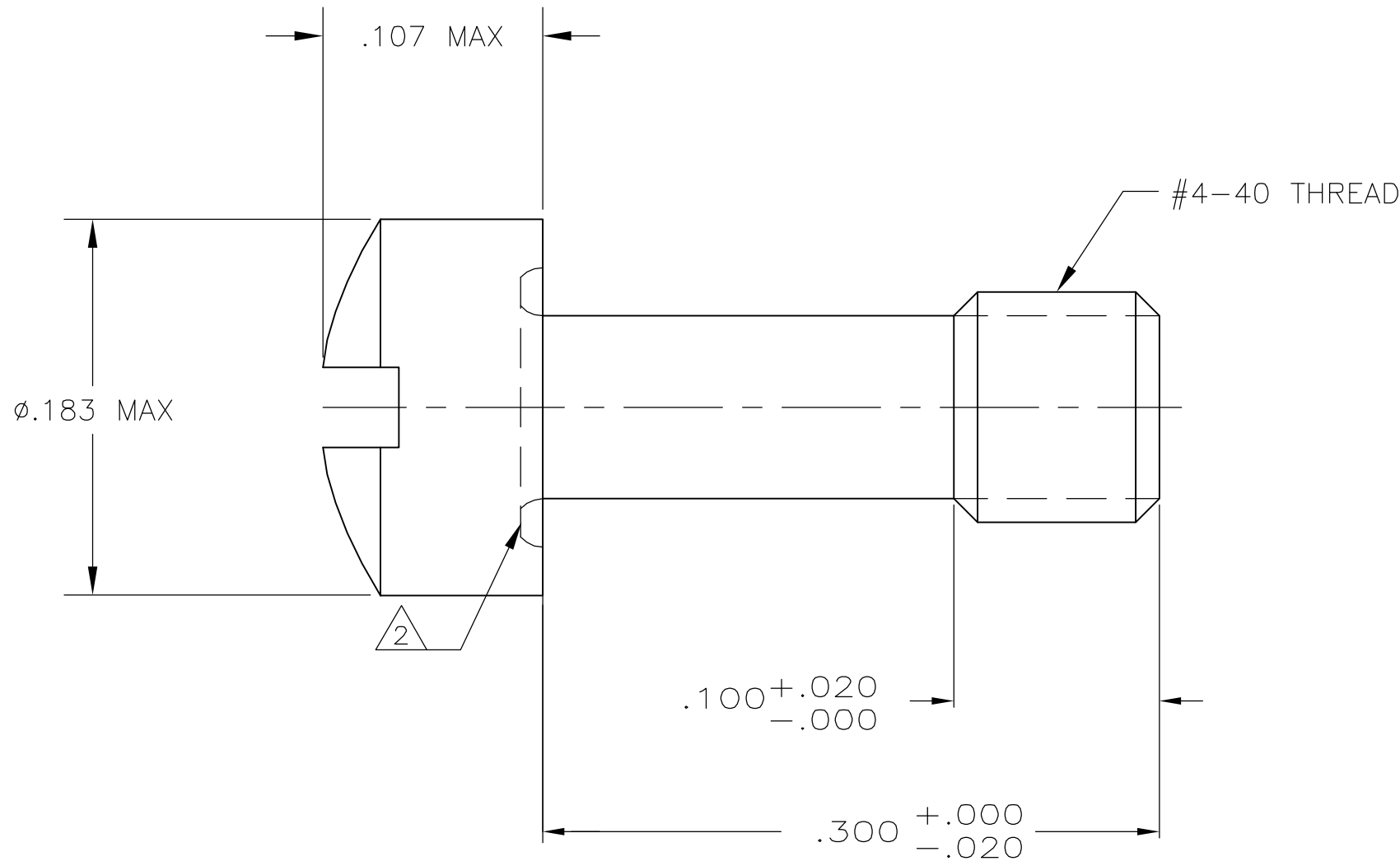
Address: A1208, Overseas Decoration Building, #122 Zhenhua RD., Futian, Shenzhen, China



THIS DRAWING IS UNPUBLISHED. RELEASED FOR PUBLICATION 10AUG, 10AUG05
 © COPYRIGHT - BY TYCO ELECTRONICS CORPORATION. ALL RIGHTS RESERVED.

| LOC | DIST | REVISIONS | | | | | |
|-----|------|-----------|-----|-----------------------------|---------|-----|------|
| GP | 00 | P | LTR | DESCRIPTION | DATE | DWN | APVD |
| | | | A | REVISED PER EC 0S13-0349-05 | 17AUG05 | JG | JG |

- ① ZINC PLATED .000200-.000400 THICK, CLEAR CHROMATE COATING.
- ② UNDERCUT MAY OR MAY NOT BE PRESENT IN THIS AREA.



5746879-1
PART NO

| | | | | | | |
|---|-------------|--------------------------------|---|--------------------|-------------------------|--------------------|
| THIS DRAWING IS A CONTROLLED DOCUMENT. | | DWN B. LATTUCA 08AUG05 | Tyco Electronics Corporation Harrisburg, Pa 17105-3608 | | | |
| DIMENSIONS: INCHES | | CHK C. ROHDE 08AUG05 | | | | |
| | | APVD M. WALMSLEY 08AUG05 | NAME SCREW, FILLISTER HEAD | | | |
| TOLERANCES UNLESS OTHERWISE SPECIFIED: | | PRODUCT SPEC | - | | | |
| 0 PLC ± - 1 PLC ± - 2 PLC ± - 3 PLC ± - 4 PLC ± - ANGLES ± - | | APPLICATION SPEC | - | | | |
| MATERIAL STEEL | FINISH ① | WEIGHT - | SIZE A3 | CAGE CODE 00779 | DRAWING NO C-5746879 | RESTRICTED TO - |
| CUSTOMER DRAWING | | | SCALE NTS | SHEET 1 OF 1 | REV A | |