



Chipsmall Limited consists of a professional team with an average of over 10 year of expertise in the distribution of electronic components. Based in Hongkong, we have already established firm and mutual-benefit business relationships with customers from,Europe,America and south Asia,supplying obsolete and hard-to-find components to meet their specific needs.

With the principle of “Quality Parts,Customers Priority,Honest Operation,and Considerate Service”,our business mainly focus on the distribution of electronic components. Line cards we deal with include Microchip,ALPS,ROHM,Xilinx,Pulse,ON,Everlight and Freescale. Main products comprise IC,Modules,Potentiometer,IC Socket,Relay,Connector.Our parts cover such applications as commercial,industrial, and automotives areas.

We are looking forward to setting up business relationship with you and hope to provide you with the best service and solution. Let us make a better world for our industry!



## Contact us

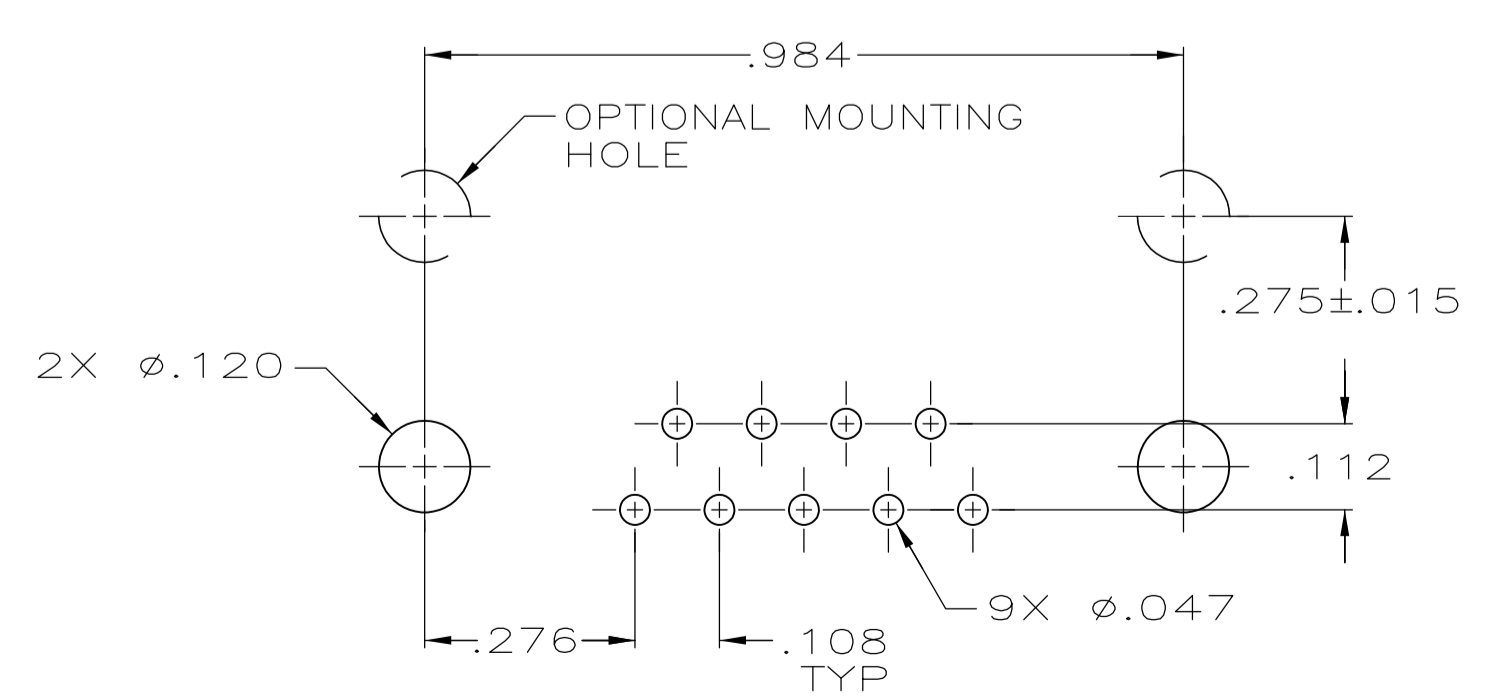
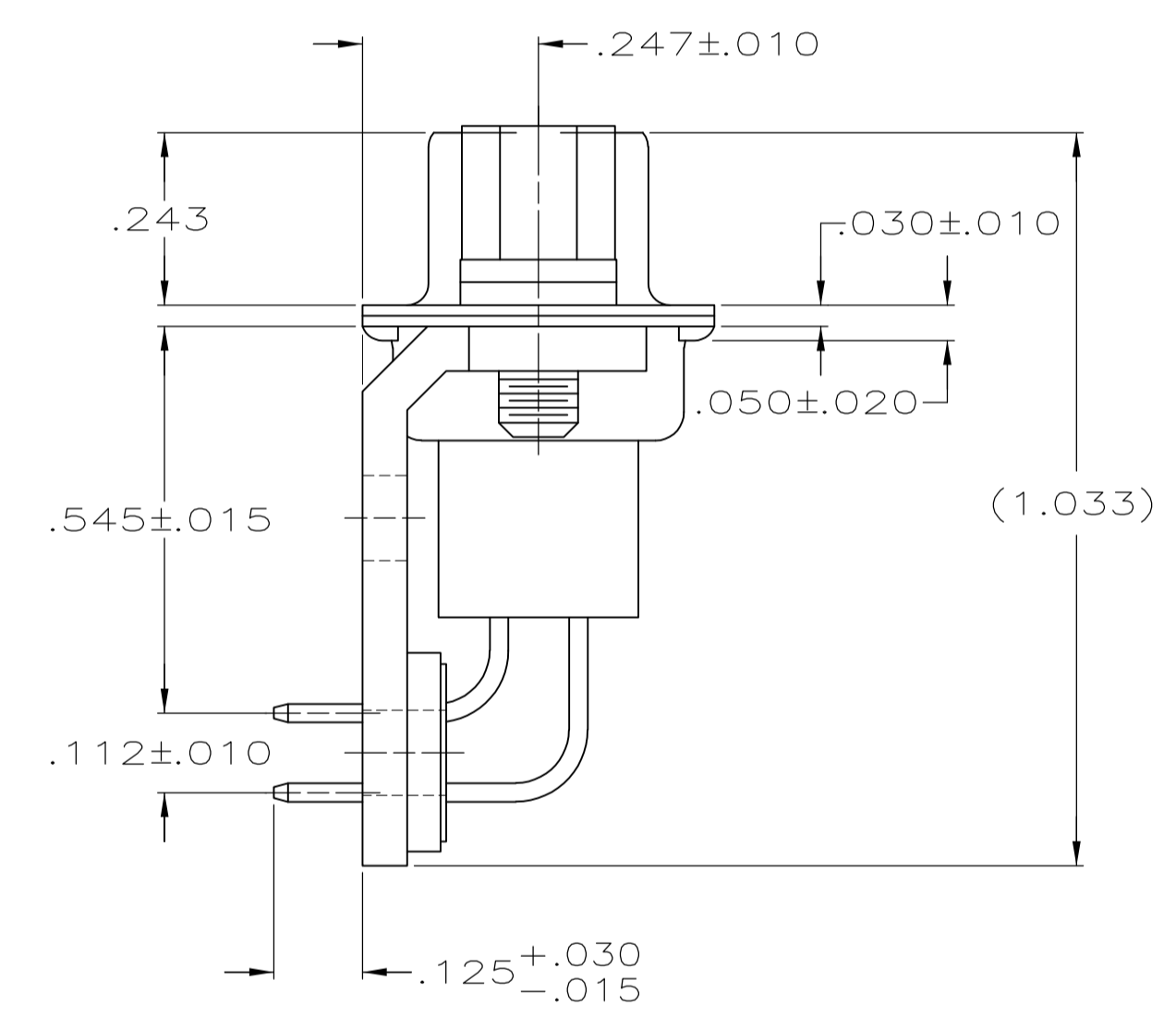
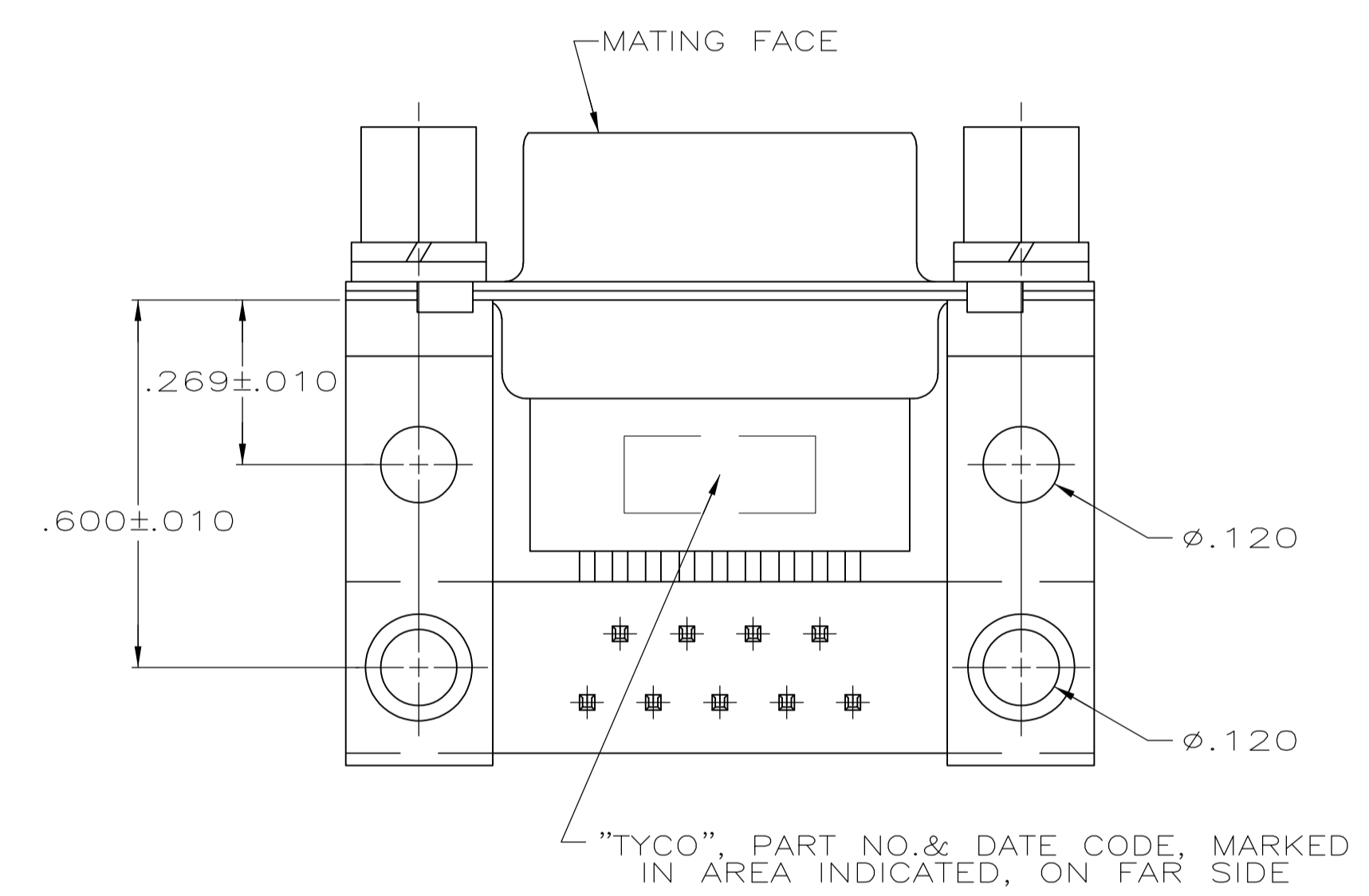
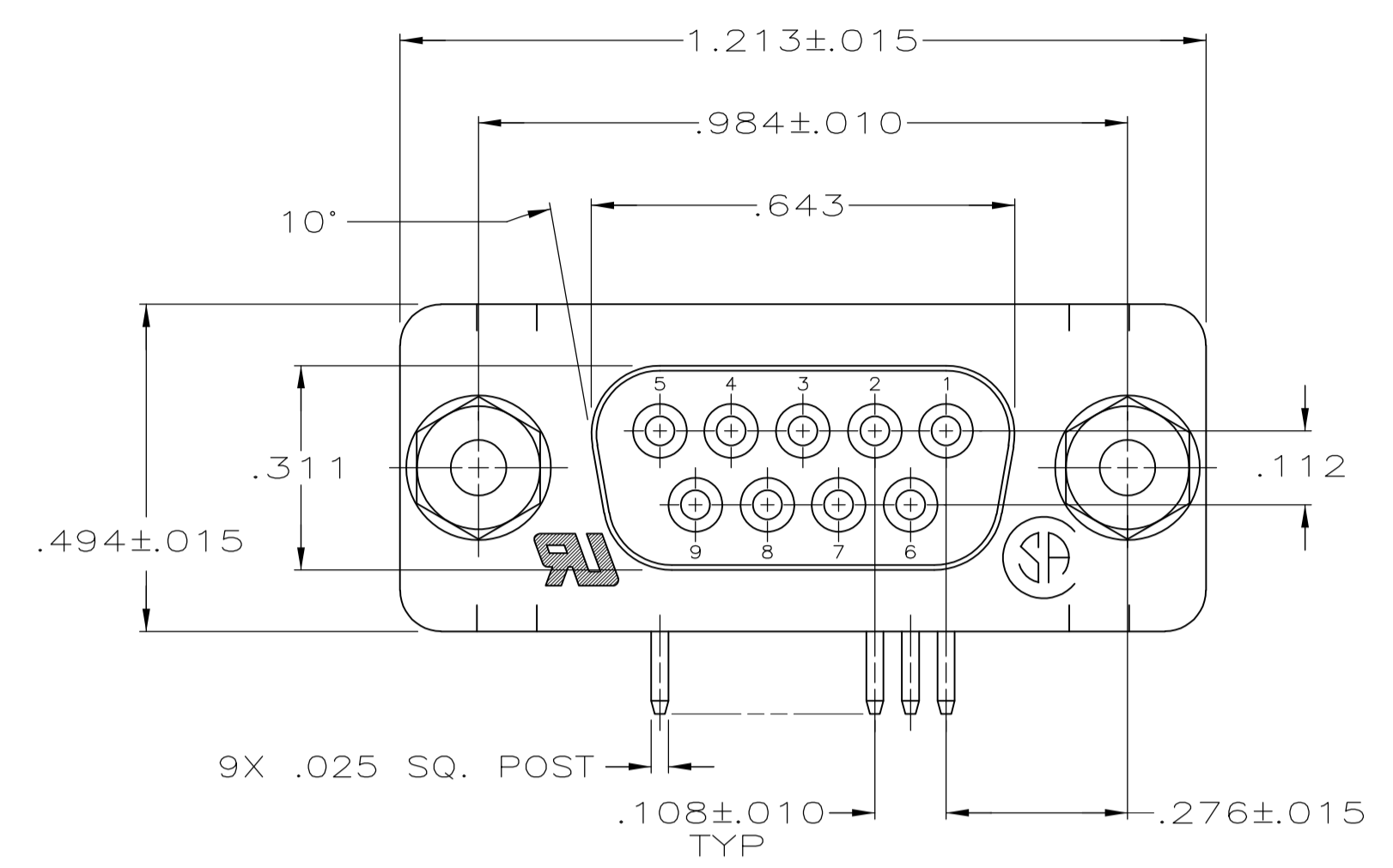
Tel: +86-755-8981 8866 Fax: +86-755-8427 6832

Email & Skype: info@chipsmall.com Web: www.chipsmall.com

Address: A1208, Overseas Decoration Building, #122 Zhenhua RD., Futian, Shenzhen, China



LOC		DIST		REVISIONS			
P	LTR	DESCRIPTION	DATE	DN	APD	REV	BY
B		REVISED PER ECO-14-011808	12AUG2014	AP	SB		



P.C. BOARD MOUNTING DIMENSIONS

- 1 MOLDED PARTS: GLASS-FILLED PBT OR GLASS-FILLED NYLON, UL94V-0 RATED. COLOR: BLACK.  
SHELLS & BRACKETS: CARBON STEEL.  
CONTACTS: PHOSPHOR BRONZE.  
SCREWLOCKS AND WASHERS: CARBON STEEL.
- 2 SHELLS: .000200 MIN TIN OVER .000100 MIN COPPER.  
CONTACTS: SEE TABLE.  
BRACKETS: .000200 MIN TIN OVER .000050 MIN COPPER.  
SCREWLOCKS AND WASHERS: ZINC PLATED WITH CLEAR CHROMATE COATING.
- 3 GOLD FLASH FOR A LENGTH OF .100 MIN FROM MATING END, .000100 MIN TIN ON OPPOSITE END, BOTH OVER .000050 MIN NICKEL.
- 4 .000030 MIN GOLD FOR A LENGTH OF .100 MIN FROM MATING END, .000100 MIN TIN ON OPPOSITE END, BOTH OVER .000050 MIN NICKEL.  
-OR-  
GOLD FLASH OVER .000030 MIN PALLADIUM NICKEL .100 MIN FROM MATING END, .000100 MIN TIN ON OPPOSITE END, BOTH OVER .000050 MIN NICKEL.

5747020-2
5747020-1
PART NUMBER

THIS DRAWING IS A CONTROLLED DOCUMENT.		DIN D. HENNY 9-9-05		STE TE Connectivity	
DIMENSIONS: INCHES		CHK S. BOLASH 9-9-05		NAME M. WALMSLEY 9-9-05	
TOLERANCES UNLESS OTHERWISE SPECIFIED:		APD		PRODUCT SPEC	
0 PLC	± -	108-40025		RECEPTACLE ASSEMBLY, SIZE 1, 9 POSITION, RIGHT ANGLE, .545 SERIES, .025 SQ. POSTS, WITH SCREWLOCKS, AMPLIMITE HDP	
1 PLC	± -	APPLICATION SPEC		SIZE CAGE CODE DRAWING NO RESTRICTED TO	
2 PLC	± -	114-40013		A1 00779 C=5747020	
3 PLC	± .005	WEIGHT		CUSTOMER DRAWING	
4 PLC	± -	SCALE 4:1		SHEET 1 OF 1	
ANGLES	± °	REV B			