



Chipsmall Limited consists of a professional team with an average of over 10 year of expertise in the distribution of electronic components. Based in Hongkong, we have already established firm and mutual-benefit business relationships with customers from,Europe,America and south Asia,supplying obsolete and hard-to-find components to meet their specific needs.

With the principle of "Quality Parts,Customers Priority,Honest Operation,and Considerate Service",our business mainly focus on the distribution of electronic components. Line cards we deal with include Microchip,ALPS,ROHM,Xilinx,Pulse,ON,Everlight and Freescale. Main products comprise IC,Modules,Potentiometer,IC Socket,Relay,Connector.Our parts cover such applications as commercial,industrial, and automotives areas.

We are looking forward to setting up business relationship with you and hope to provide you with the best service and solution. Let us make a better world for our industry!



## Contact us

Tel: +86-755-8981 8866 Fax: +86-755-8427 6832

Email & Skype: info@chipsmall.com Web: www.chipsmall.com

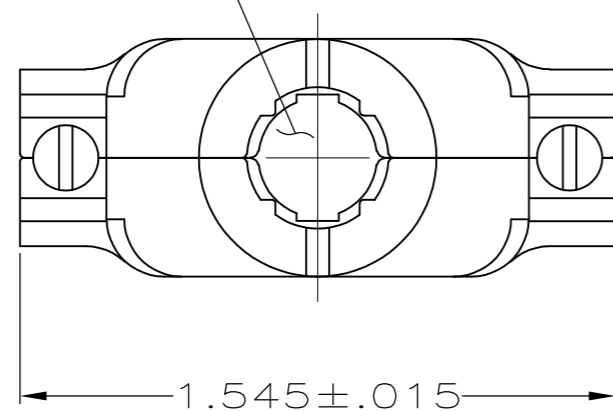
Address: A1208, Overseas Decoration Building, #122 Zhenhua RD., Futian, Shenzhen, China



THIS DRAWING IS UNPUBLISHED. RELEASED FOR PUBLICATION  
 © COPYRIGHT - By - ALL RIGHTS RESERVED.

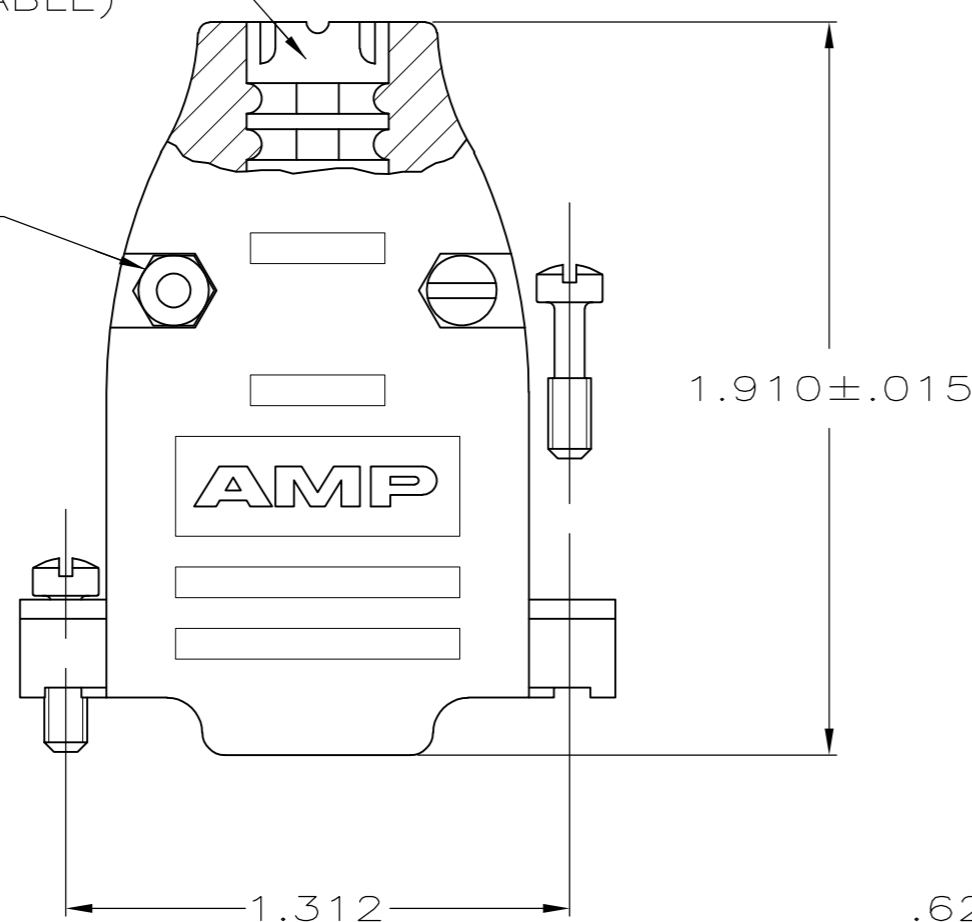
LOC	DIST	REVISIONS			
P	LTR	DESCRIPTION	DATE	DWN	APVD
GP	00				
P		REVISED PER ECO-11-004835	11MAR11	RK	HMR

OPENING FOR CABLE  
 (SEE DASH NO FOR DIA)



SIZE IDENTIFICATION  
 LETTER MOLDED HERE  
 (SEE TABLE)

#4-40 FILLISTER HEAD  
 STEEL SCREW  
 & HEX NUT  
 2 REQD.

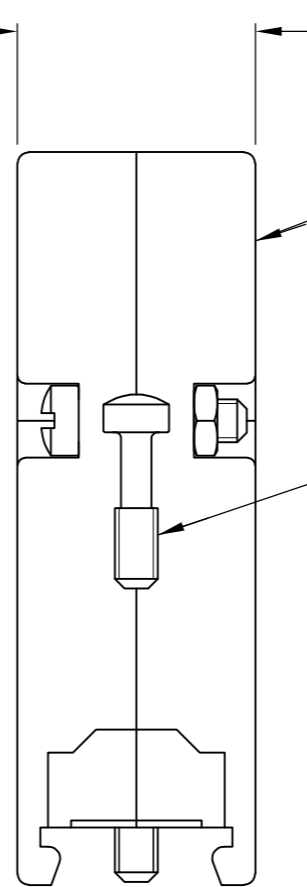


.620 ± .015

.620 ± .015

CABLE CLAMP  
 MATERIAL: FLAME RETARDANT THERMOPLASTIC  
 FINISH: BRIGHT NICKEL OVER BRIGHT COPPER

#4-40 FILLISTER HEAD SCREW  
 STEEL  
 2 REQD.



1. ALL PARTS PACKAGED UNASSEMBLED.
2. THIS KIT CONSISTS OF 2 STRAIN RELIEF HALVES, 2 #4-40 SCREWS, 2 #4-40 NUTS & 2 #4-40 MOUNTING SCREWS.

ZINC PLATED .000200-.000400 THICK,  
 CLEAR CHROMATE COATING.

**COPYRIGHT 2005  
 TE CONNECTIVITY CORP  
 ALL RIGHTS RESERVED**

B	.225	5747099-7
E	.300	5747099-5
H	.375	5747099-3
K	.430	5747099-1
SIZE IDENT LETTER	CABLE DIA	PART NO.

THIS DRAWING IS A CONTROLLED DOCUMENT.		DWN	D. HENNY	8-15-05
DIMENSIONS: INCHES		CHK	C. ROHDE	8-15-05
TOLERANCES UNLESS OTHERWISE SPECIFIED:		APVD	M. WALMSLEY	8-15-05
0 PLC ± -		PRODUCT SPEC	NAME	
1 PLC ± -		APPLICATION SPEC	CABLE CLAMP KIT, SIZE 2, 15 POSITION, 180 DEG, AMPLIMITE SERIES, PLATED PLASTIC	
2 PLC ± -		WEIGHT	SIZE	
3 PLC ± .005		WEIGHT	CAGE CODE	
4 PLC ± -		WEIGHT	DRAWING NO	
ANGLES ± -		WEIGHT	RESTRICTED TO	
FINISH		WEIGHT	SCALE	
SEE CALLOUTS		WEIGHT	SHEET	
SEE CALLOUTS		WEIGHT	REV	
MATERIAL		WEIGHT	CUSTOMER DRAWING	
SEE CALLOUTS		WEIGHT	SCALE 1:1 SHEET 1 of 1 REV P	

5747099