



Chipsmall Limited consists of a professional team with an average of over 10 year of expertise in the distribution of electronic components. Based in Hongkong, we have already established firm and mutual-benefit business relationships with customers from,Europe,America and south Asia,supplying obsolete and hard-to-find components to meet their specific needs.

With the principle of "Quality Parts,Customers Priority,Honest Operation,and Considerate Service",our business mainly focus on the distribution of electronic components. Line cards we deal with include Microchip,ALPS,ROHM,Xilinx,Pulse,ON,Everlight and Freescale. Main products comprise IC,Modules,Potentiometer,IC Socket,Relay,Connector.Our parts cover such applications as commercial,industrial, and automotives areas.

We are looking forward to setting up business relationship with you and hope to provide you with the best service and solution. Let us make a better world for our industry!



Contact us

Tel: +86-755-8981 8866 Fax: +86-755-8427 6832

Email & Skype: info@chipsmall.com Web: www.chipsmall.com

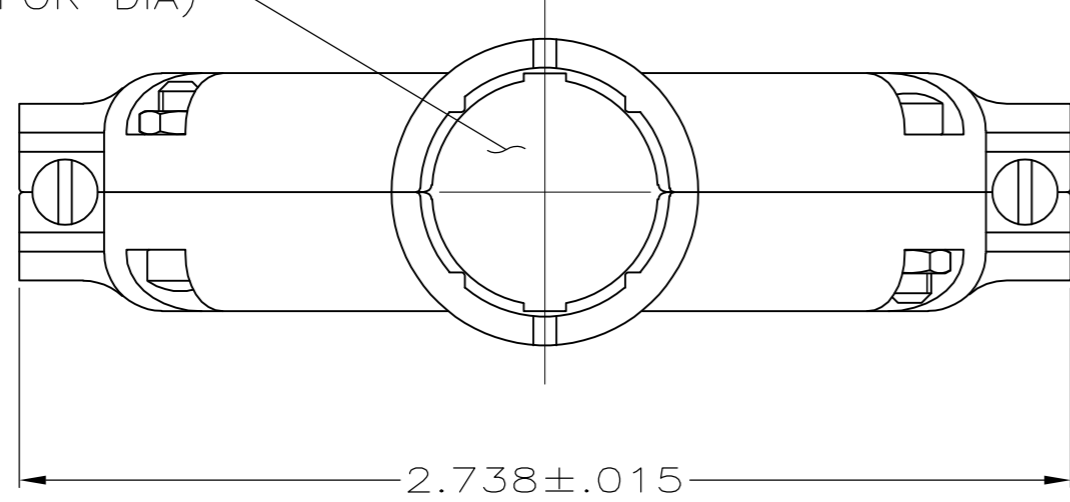
Address: A1208, Overseas Decoration Building, #122 Zhenhua RD., Futian, Shenzhen, China



THIS DRAWING IS UNPUBLISHED. RELEASED FOR PUBLICATION
 © COPYRIGHT BY TYCO ELECTRONICS CORPORATION. ALL RIGHTS RESERVED.

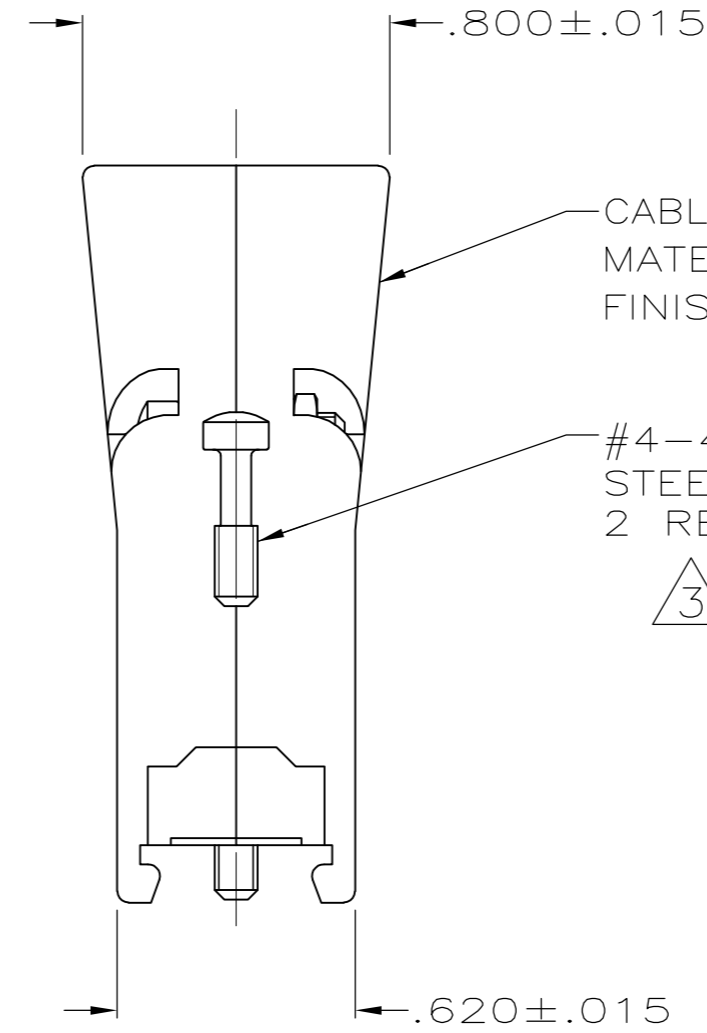
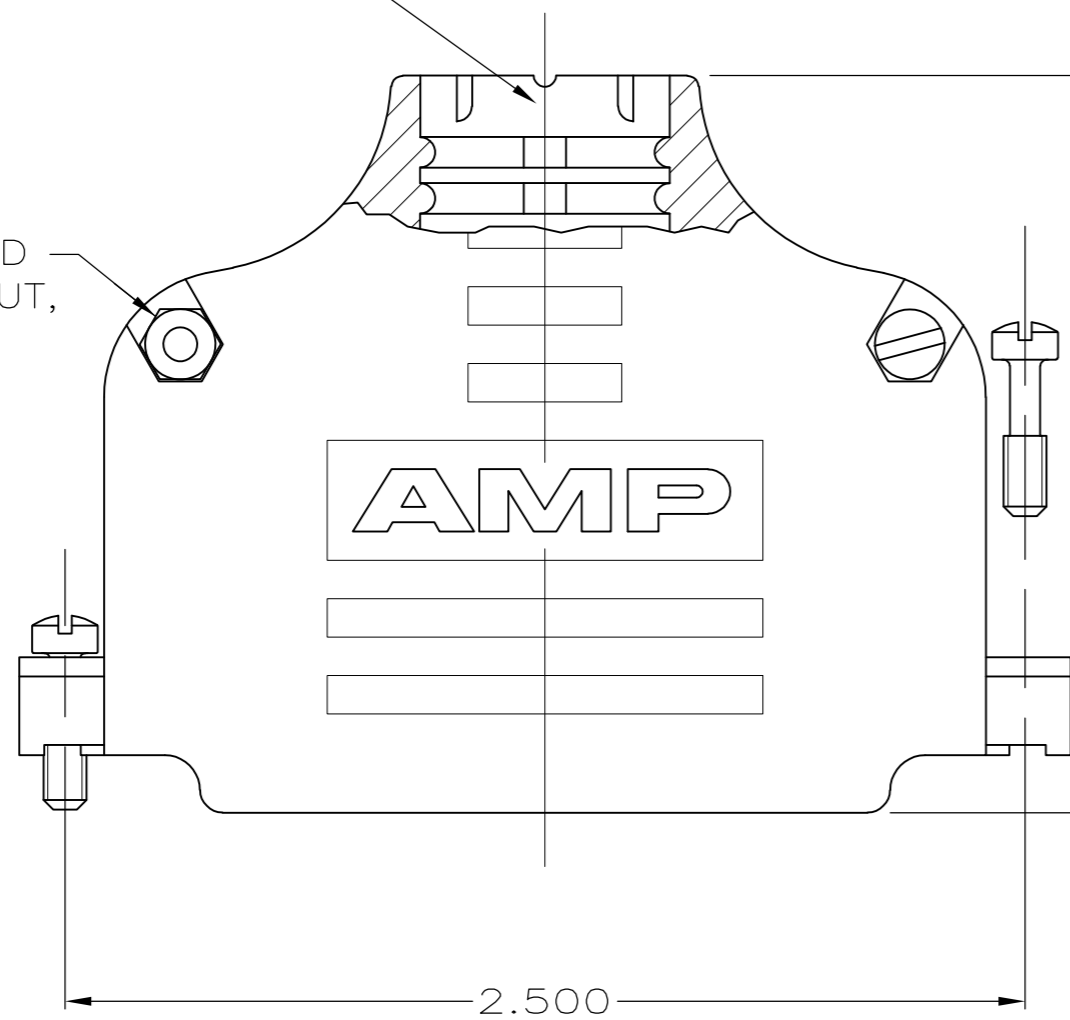
LOC	DIST	REVISIONS					
GP	00	P	LTR	DESCRIPTION	DATE	DWN	APVD
		A		REVISED PER ECN 0513-0326-05	24JUL06	JDP	CWR
		A1		REVISED PER ECO-10-000444	19JAN10	KK	HMR

OPENING FOR CABLE
(SEE DASH NO FOR DIA)



SIZE IDENTIFICATION
LETTER MOLDED HERE
(SEE TABLE)

#4-40 FILLISTER HEAD
STEEL SCREW & HEX NUT,
2 REQD.



CABLE CLAMP
MATERIAL: FLAME RETARDANT THERMOPLASTIC,
FINISH: BRIGHT NICKEL OVER BRIGHT COPPER


#4-40 FILLISTER HEAD SCREW
STEEL
2 REQD.



- ALL PARTS PACKAGED UNASSEMBLED.
- THIS KIT CONSISTS OF 2 STRAIN RELIEF HALVES,
2 #4-40 SCREWS, 2 #4-40 NUTS & 2 #4-40 MOUNTING SCREWS.

 ZINC PLATED .000200-.000400 THICK,
CLEAR CHROMATE COATING.

 OBSOLETE PARTS: OBSOLETE CIS STREAMLINING PER D.RENAUD/D.SINISI

	OBSOLETE	P	.530	1-5747100-1
	OBSOLETE	F	.350	5747100-9
		J	.425	5747100-7
	OBSOLETE	N	.500	5747100-5
		R	.575	5747100-3
		T	.650	5747100-1
		SIZE IDENT LETTER	CABLE DIA	PART NO.

**COPYRIGHT 2005
TYCO ELECTRONICS CORP
ALL RIGHTS RESERVED**

DIMENSIONS:		TOLERANCES UNLESS OTHERWISE SPECIFIED:		MATERIAL		FINISH	
INCHES		0 PLC	± -	SEE CALLOUTS		SEE CALLOUTS	
		1 PLC	± -				
		2 PLC	± -				
		3 PLC	± .005				
		4 PLC	± -				
		ANGLES	± -				

THIS DRAWING IS A CONTROLLED DOCUMENT.		DWN	D. HENNY	8-16-05
		CHK	C. ROHDE	8-16-05
		APVD	M. WALMSLEY	8-16-05
		PRODUCT SPEC		
		APPLICATION SPEC		
		WEIGHT	-	
		CUSTOMER DRAWING		

Tyco Electronics Corporation Harrisburg, PA 17105-3608		NAME		RESTRICTED TO	
CABLE CLAMP KIT, SIZE 4, 37 POSITION, 180°, AMPLIMITE SERIES, PLATED PLASTIC					
SIZE	CAGE CODE	DRAWING NO			
A2	00779	C=5747100			
SCALE	1:1	SHEET	1 of 1	REV	A1