



Chipsmall Limited consists of a professional team with an average of over 10 year of expertise in the distribution of electronic components. Based in Hongkong, we have already established firm and mutual-benefit business relationships with customers from,Europe,America and south Asia,supplying obsolete and hard-to-find components to meet their specific needs.

With the principle of "Quality Parts,Customers Priority,Honest Operation,and Considerate Service",our business mainly focus on the distribution of electronic components. Line cards we deal with include Microchip,ALPS,ROHM,Xilinx,Pulse,ON,Everlight and Freescale. Main products comprise IC,Modules,Potentiometer,IC Socket,Relay,Connector.Our parts cover such applications as commercial,industrial, and automotives areas.

We are looking forward to setting up business relationship with you and hope to provide you with the best service and solution. Let us make a better world for our industry!



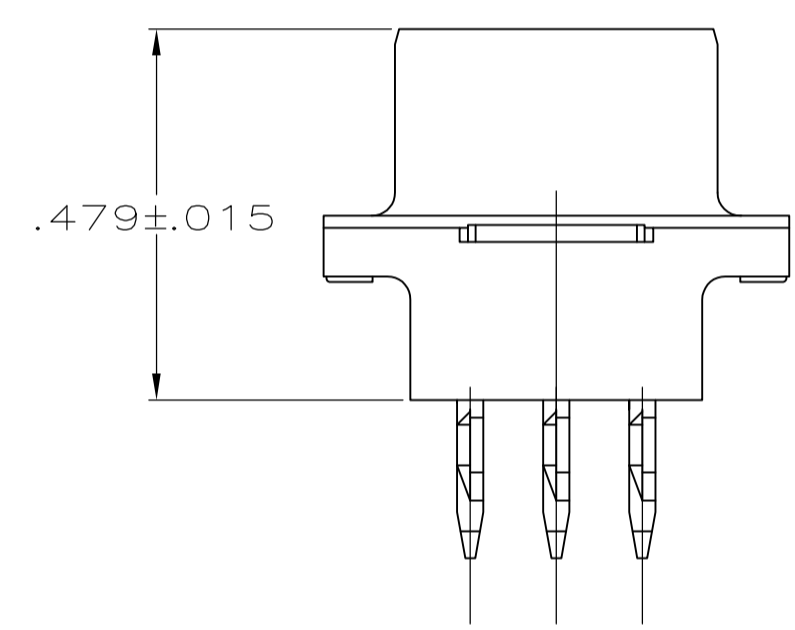
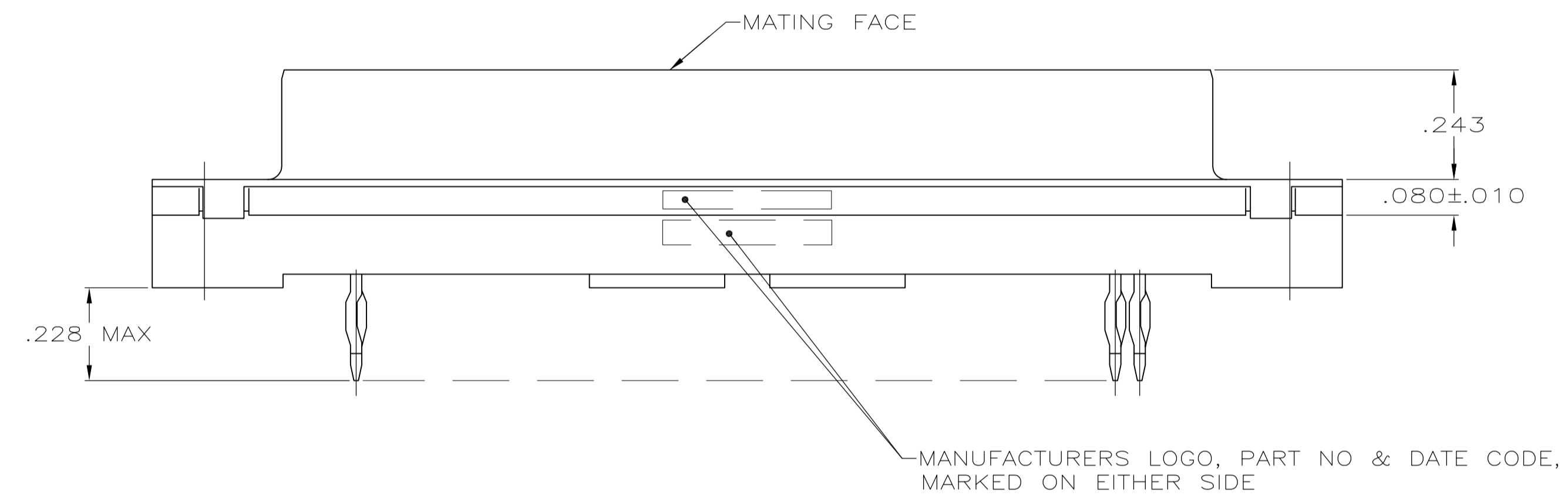
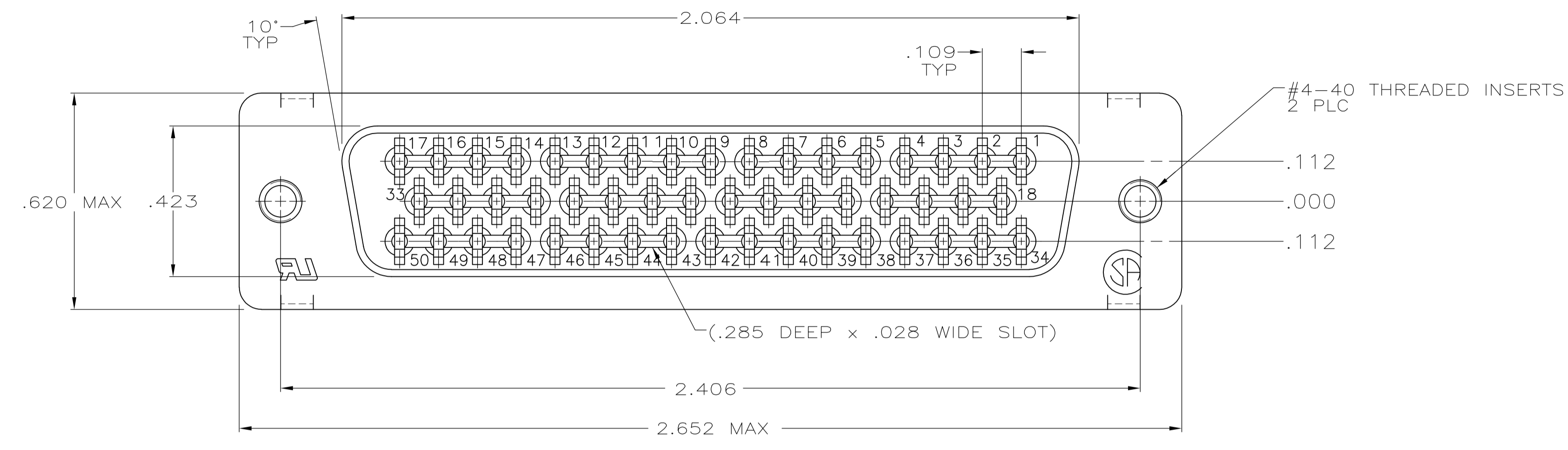
Contact us

Tel: +86-755-8981 8866 Fax: +86-755-8427 6832

Email & Skype: info@chipsmall.com Web: www.chipsmall.com

Address: A1208, Overseas Decoration Building, #122 Zhenhua RD., Futian, Shenzhen, China





- 1 FOR USE WITH .093 MINIMUM THICK PRINTED CIRCUIT BOARD. REFER TO APPLICATION SPECIFICATION FOR PRINTED CIRCUIT BOARD LAYOUT DIMENSIONS AND FINISH RECOMMENDATIONS.
- 2 GOLD FLASH ON MATING SURFACE, .000100 MIN TIN ON COMPLIANT PIN, ALL OVER .000050 MIN NICKEL.
- 3 0.76 MICRO METERS [.000030] MINIMUM GOLD IN MATING AREA. 2.54 MICRO METERS [.000100] MINIMUM TIN ON COMPLIANT PIN. ALL OVER 1.27 MICRO METERS [.000050] MINIMUM NICKEL. OR GOLD FLASH OVER PALLADIUM NICKEL. 0.76 MICRO METERS [.000030] MINIMUM TOTAL IN MATING AREA. 2.54 MICRO METERS [.000100] MINIMUM TIN ON COMPLIANT PIN. ALL OVER 1.27 MICRO METERS [.000050] MINIMUM NICKEL.
- 4 SHELL: .0002 MIN TIN OVER .000100 MIN COPPER. CONTACTS: SEE TABLE. INSERTS: UNPLATED
- 5 HOUSING: FLAME RETARDANT, UL 94V-0 RATED, THERMOPLASTIC; COLOR: BLACK. CONTACTS: COPPER ALLOY. SHELL: CARBON STEEL. INSERT: BRASS

| | | |
|----------------------|----------------|-----------|
| HALF | 3 | 5747144-2 |
| HALF | 2 | 5747144-1 |
| INSERT THREAD LENGTH | CONTACT FINISH | PART NO. |

THIS DRAWING IS A CONTROLLED DOCUMENT. DIMENSIONING AND TOLERANCING PER ASME Y14.5M-2009.

| | | | | | |
|---------------------|--|---------------------------------|-------------------------|---------------------------|---|
| DIMENSIONS: INCHES | TOLERANCES UNLESS OTHERWISE SPECIFIED: | DIN A. FERNANDEZ-DOCKS 03-31-05 | CHIK S. BOLASH 03-31-05 | APVD M. WALMSLEY 03-31-05 | NAME RCPT ASSY, SIZE 5, 50 POSN, AMPLIMITE HD-20 MDM PROFILE, W/ ACTION PIN CONT & METAL SHELL W/ #4-40 THREADED INSERTS. |
| 0 PLC ± - | 1 PLC ± - | 2 PLC ± - | 3 PLC ± .005 | 4 PLC ± - | ANGLES ± ° |
| MATERIAL | FINISH | WEIGHT | SIZE | CAGE CODE | DRAWING NO |
| | | | A1 | 00779 | 5747144 |
| RESTRICTED CUSTOMER | | SCALE | SHEET | OF | REV |
| | | 4:1 | 1 | 1 | D |

STE TE Connectivity