



Chipsmall Limited consists of a professional team with an average of over 10 year of expertise in the distribution of electronic components. Based in Hongkong, we have already established firm and mutual-benefit business relationships with customers from,Europe,America and south Asia,supplying obsolete and hard-to-find components to meet their specific needs.

With the principle of "Quality Parts,Customers Priority,Honest Operation,and Considerate Service",our business mainly focus on the distribution of electronic components. Line cards we deal with include Microchip,ALPS,ROHM,Xilinx,Pulse,ON,Everlight and Freescale. Main products comprise IC,Modules,Potentiometer,IC Socket,Relay,Connector.Our parts cover such applications as commercial,industrial, and automotives areas.

We are looking forward to setting up business relationship with you and hope to provide you with the best service and solution. Let us make a better world for our industry!



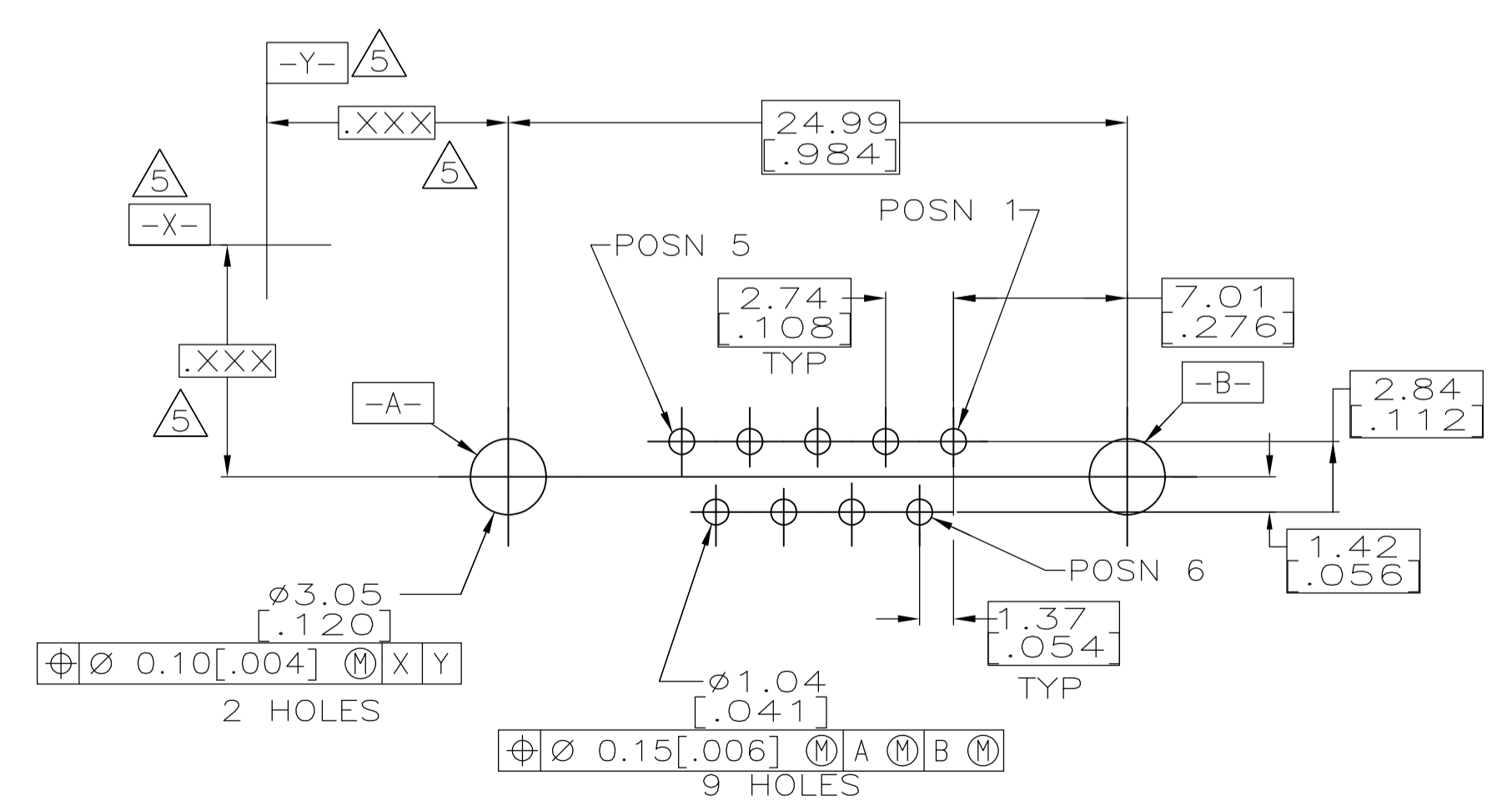
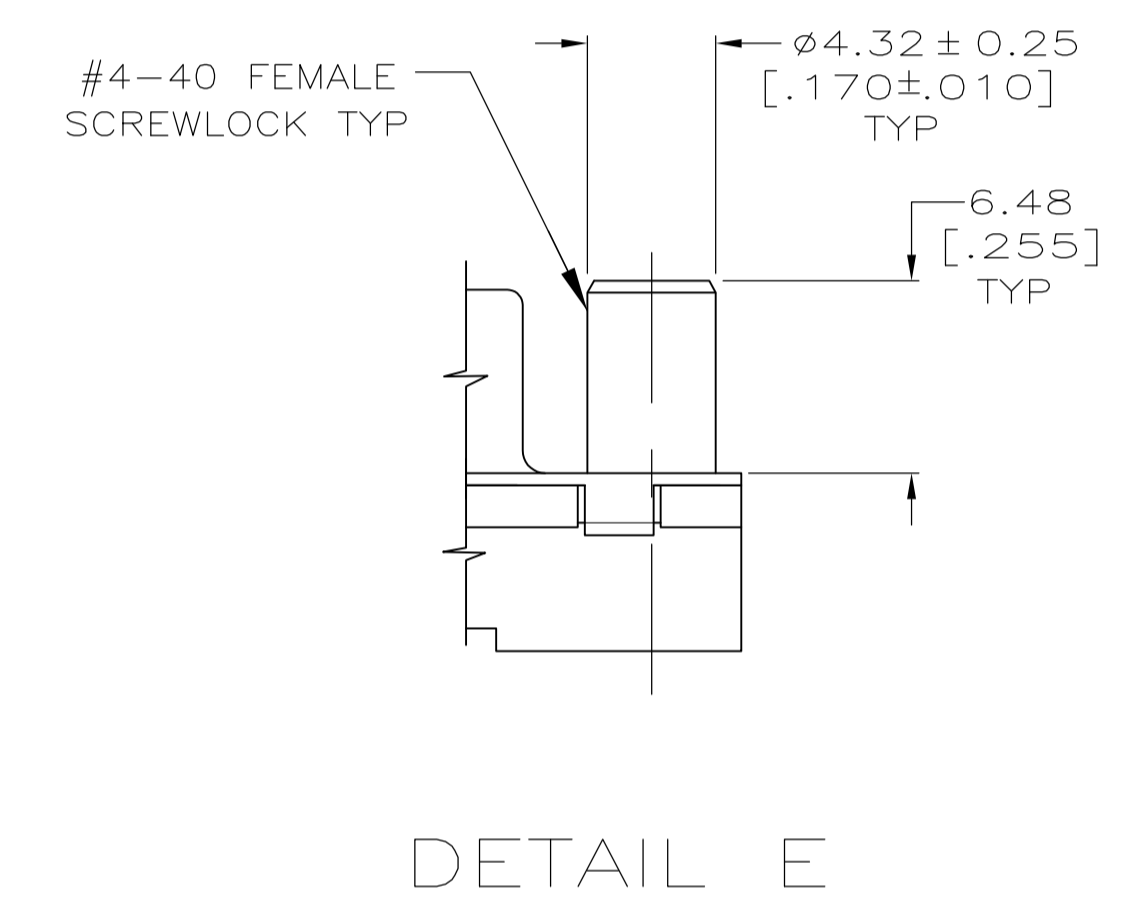
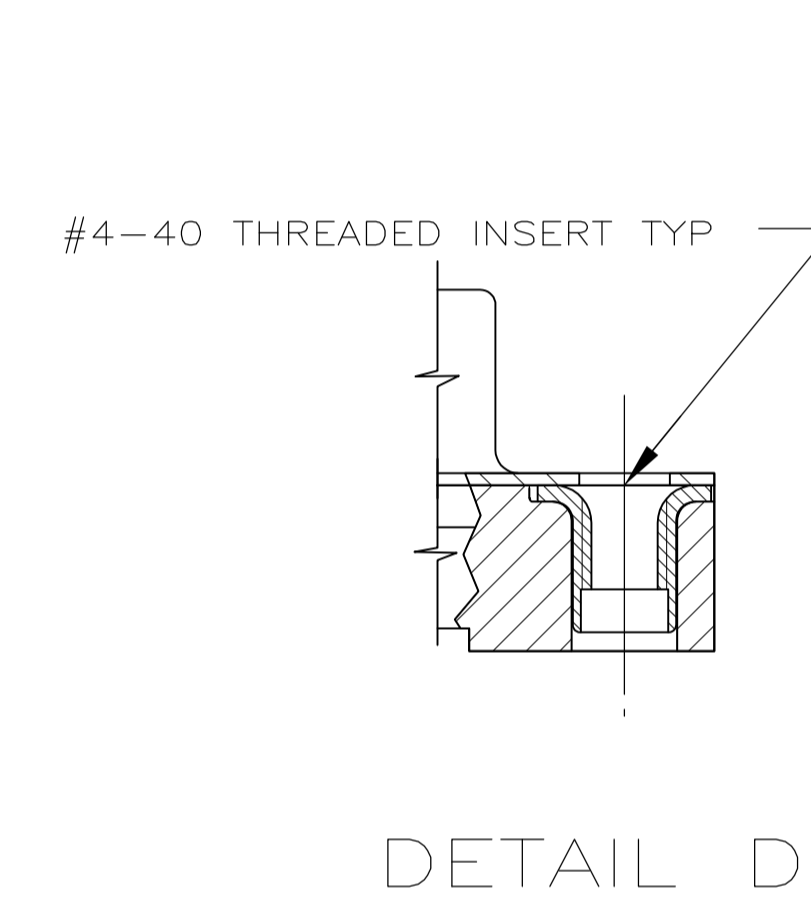
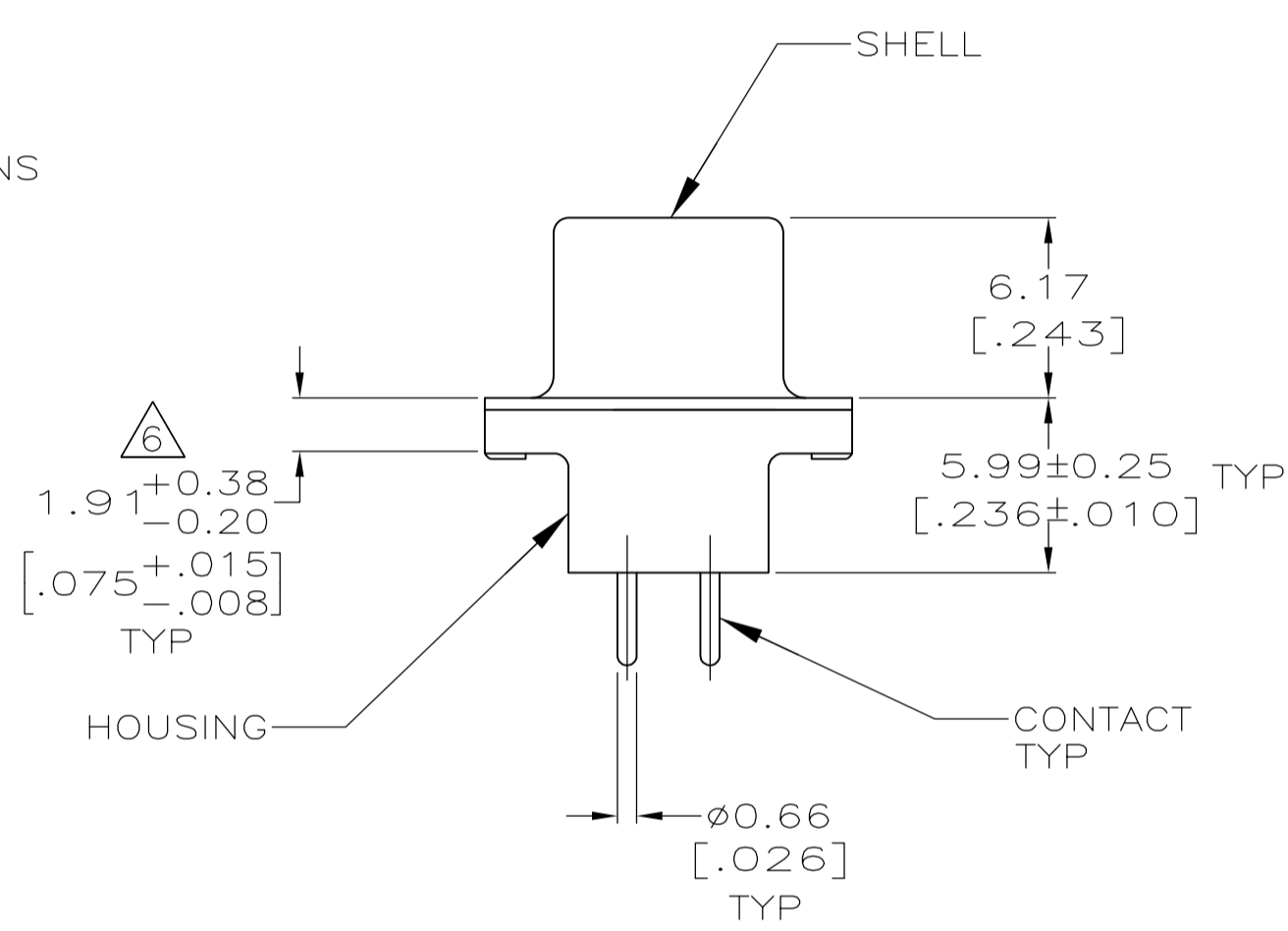
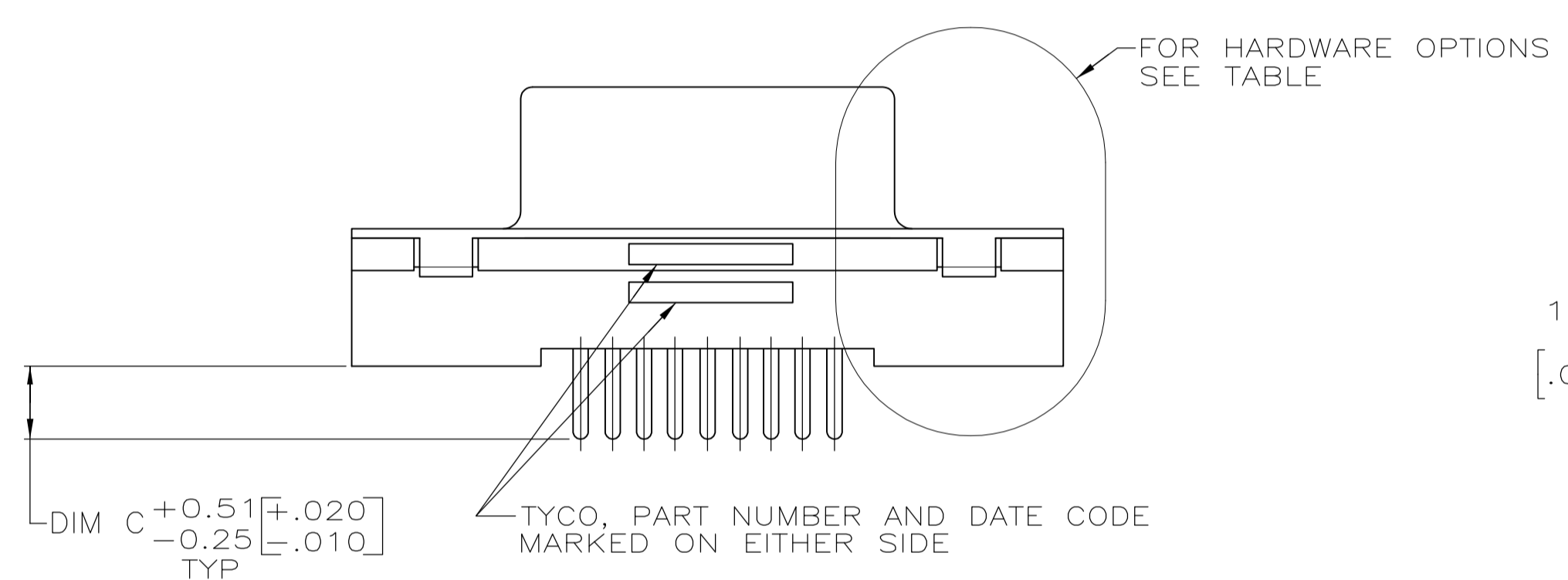
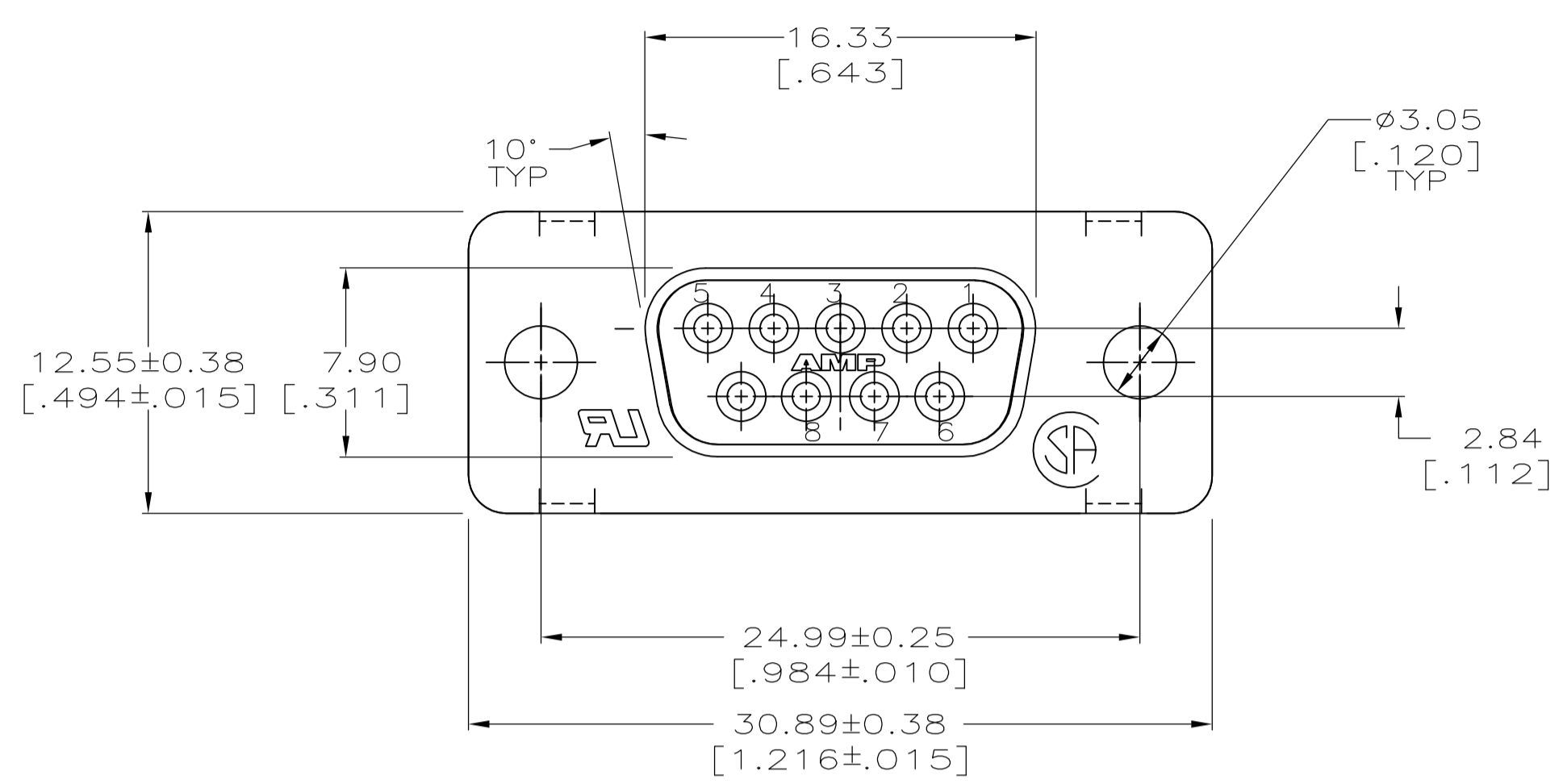
## Contact us

Tel: +86-755-8981 8866 Fax: +86-755-8427 6832

Email & Skype: info@chipsmall.com Web: www.chipsmall.com

Address: A1208, Overseas Decoration Building, #122 Zhenhua RD., Futian, Shenzhen, China





RECOMMENDED PC BOARD LAYOUT  
CONNECTOR SIDE OF PC BOARD

- ⚠ MATERIAL:  
HOUSING: POLYESTER, UL 94V-0 RATED, BLACK.  
SHELL: CARBON STEEL.  
CONTACTS: PHOS. BRONZE.  
SCREWLOCKS: ZINC  
INSERTS: BRASS
- ⚠ FINISH:  
SHELL: 5.08um [.000200] MIN TIN OVER 2.54um [.000100] MIN COPPER.  
CONTACTS: SEE TABLE.
- ⚠ GOLD FLASH FOR A LENGTH OF 2.54 [.100] MIN FROM MATING END, 2.54um [.000100] MIN TIN ON OPPOSITE END, OVER 1.27um [.000050] MIN NICKEL.
- ⚠ 0.76um [.000030] MIN GOLD FOR A LENGTH OF 2.54 [.100] MIN FROM MATING END, 2.54um [.000100] MIN TIN ON OPPOSITE END, OVER 1.27um [.000050] MIN NICKEL.
- ⚠ DATUMS AND BASIC DIMENSIONS ESTABLISHED BY CUSTOMER.
- ⚠ 2.79 [.110] MAX IN SHELL TAB CLINCH AREAS.

W/FEMALE SCREWLOCKS PER DETAIL E	4	4.32 [.170]	1-5747150-6
	4	3.18 [.125]	1-5747150-4
	3	3.18 [.125]	1-5747150-3
W/THREADED INSERTS PER DETAIL D	4	4.32 [.170]	5747150-9
	4	3.18 [.125]	5747150-8
	3	3.18 [.125]	5747150-7
WO/FEMALE SCREWLOCKS OR THREADED INSERTS AS SHOWN	4	4.32 [.170]	5747150-4
	4	3.18 [.125]	5747150-2
HARDWARE OPTIONS	CONTACTS FINISH	C	PART NO

THIS DRAWING IS A CONTROLLED DOCUMENT.

DIMENSIONS: MM [INCHES]	TOLERANCES UNLESS OTHERWISE SPECIFIED:	DWG: B. MCMASTER 18MAY05	CHK: S. BOLASH 18MAY05	APVD: M. WALMSLEY 18MAY05	NAME: RECEPTACLE ASSEMBLY, SIZE 1, 9 POSITION FRONT METAL SHELL, WITH OR WITHOUT SCREWLOCKS OR INSERTS.
0 PLC ± -	1 PLC ± -	2 PLC ± 0.13 [.005]	3 PLC ± -	4 PLC ± -	PRODUCT SPEC: 108-40025
MATERIAL: 1				FINISH: 2	APPLICATION SPEC: 114-40023
CUSTOMER DRAWING		SCALE: 4:1	SHEET: 1 OF 1	REV: A1	RESTRICTED TO: -

STE TE Connectivity