



Chipsmall Limited consists of a professional team with an average of over 10 year of expertise in the distribution of electronic components. Based in Hongkong, we have already established firm and mutual-benefit business relationships with customers from,Europe,America and south Asia,supplying obsolete and hard-to-find components to meet their specific needs.

With the principle of “Quality Parts,Customers Priority,Honest Operation,and Considerate Service”,our business mainly focus on the distribution of electronic components. Line cards we deal with include Microchip,ALPS,ROHM,Xilinx,Pulse,ON,Everlight and Freescale. Main products comprise IC,Modules,Potentiometer,IC Socket,Relay,Connector.Our parts cover such applications as commercial,industrial, and automotives areas.

We are looking forward to setting up business relationship with you and hope to provide you with the best service and solution. Let us make a better world for our industry!



Contact us

Tel: +86-755-8981 8866 Fax: +86-755-8427 6832

Email & Skype: info@chipsmall.com Web: www.chipsmall.com

Address: A1208, Overseas Decoration Building, #122 Zhenhua RD., Futian, Shenzhen, China



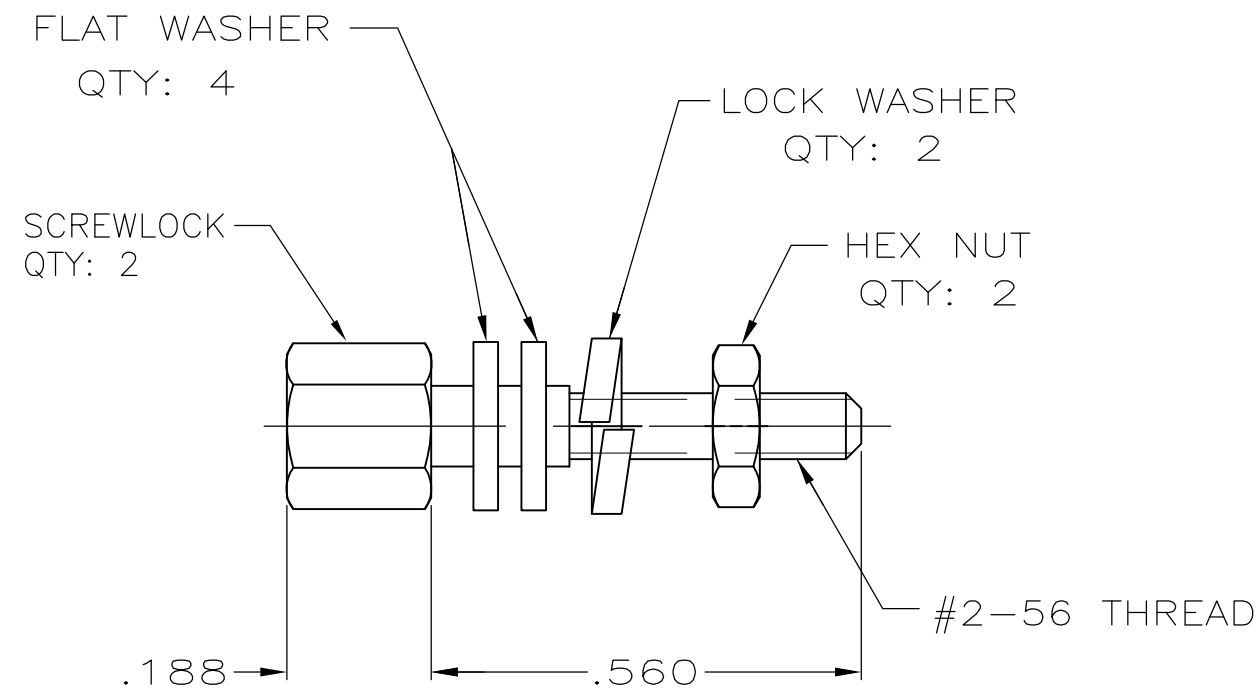
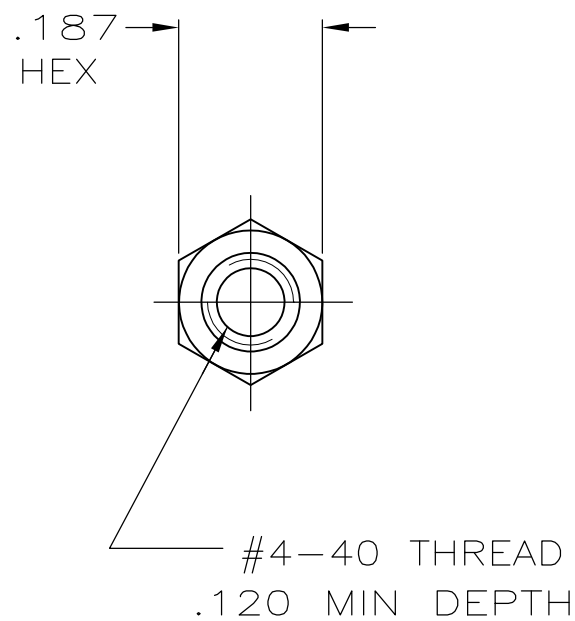
THIS DRAWING IS UNPUBLISHED.

RELEASED FOR PUBLICATION

ALL RIGHTS RESERVED.

© COPYRIGHT - By -

LOC	DIST	REVISIONS					
GP	00	P	LTR	DESCRIPTION	DATE	DWN	APVD
		P		REVISED PER ECO-11-004835	11MAR11	RK	HMR



1 COLD ROLLED STEEL.

2 ZINC PLATED .000200-.000400 THICK, CLEAR CHROMATE COATING.

3. PARTS PACKAGED UNASSEMBLED.

4. PARTS PACKAGED AS A UNIT KIT.

5747223-3

PART NO

THIS DRAWING IS A CONTROLLED DOCUMENT.		DWN S.WAITMAN 11JUL05	TE Connectivity			
DIMENSIONS: INCHES		CHK C.ROHDE 11JUL05				
		APVD M.WALMSLEY 11JUL05	KIT #4-40 SCREW LOCK FEMALE WITH 2-56 THREADS, AMPLIMITE HD-20			
TOLERANCES UNLESS OTHERWISE SPECIFIED:		PRODUCT SPEC	RESTRICTED TO			
0 PLC ± - 1 PLC ± - 2 PLC ± - 3 PLC ± .005 4 PLC ± - ANGLES ± -		APPLICATION SPEC	SIZE	CAGE CODE	DRAWING NO	
MATERIAL		WEIGHT	A3	00779	C-5747223	
FINISH		CUSTOMER DRAWING		SCALE	SHEET	REV
1				4:1	1 OF 1	P