



Chipsmall Limited consists of a professional team with an average of over 10 year of expertise in the distribution of electronic components. Based in Hongkong, we have already established firm and mutual-benefit business relationships with customers from,Europe,America and south Asia,supplying obsolete and hard-to-find components to meet their specific needs.

With the principle of "Quality Parts,Customers Priority,Honest Operation,and Considerate Service",our business mainly focus on the distribution of electronic components. Line cards we deal with include Microchip,ALPS,ROHM,Xilinx,Pulse,ON,Everlight and Freescale. Main products comprise IC,Modules,Potentiometer,IC Socket,Relay,Connector.Our parts cover such applications as commercial,industrial, and automotives areas.

We are looking forward to setting up business relationship with you and hope to provide you with the best service and solution. Let us make a better world for our industry!



Contact us

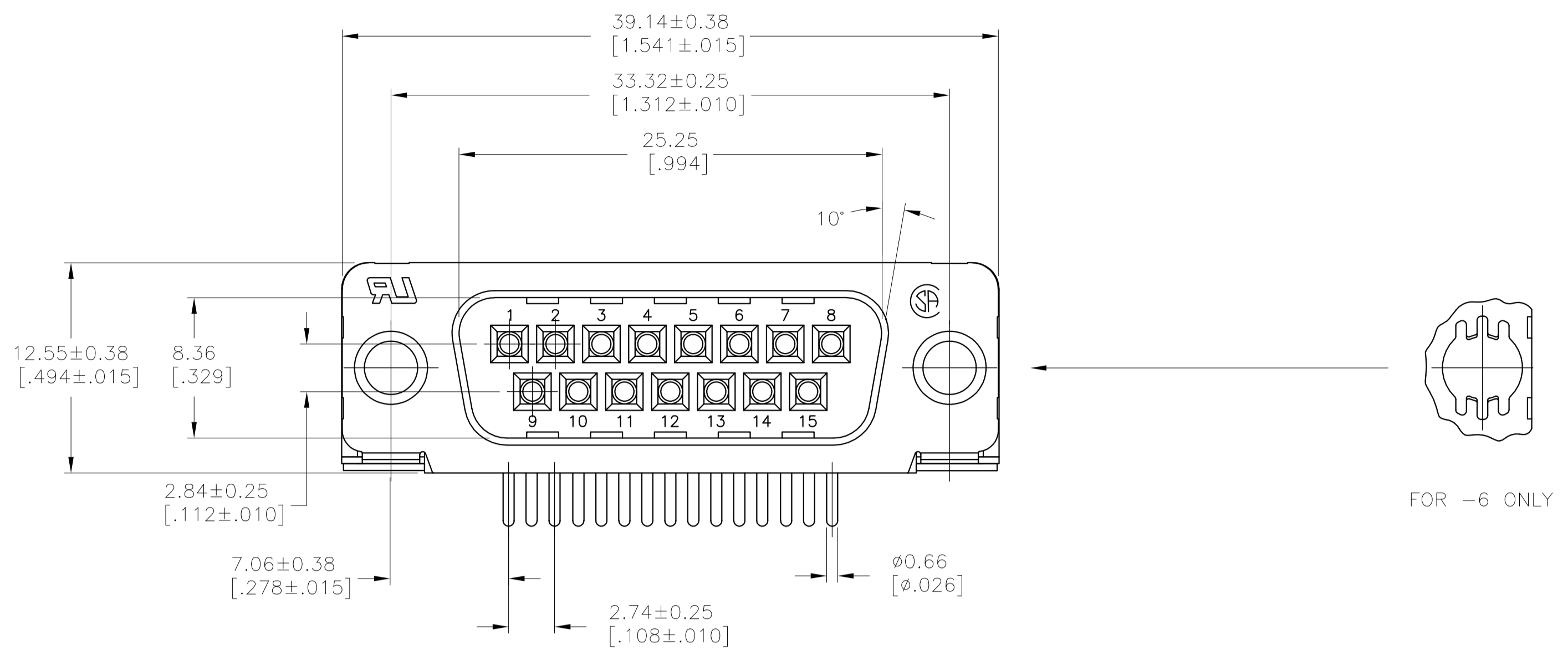
Tel: +86-755-8981 8866 Fax: +86-755-8427 6832

Email & Skype: info@chipsmall.com Web: www.chipsmall.com

Address: A1208, Overseas Decoration Building, #122 Zhenhua RD., Futian, Shenzhen, China



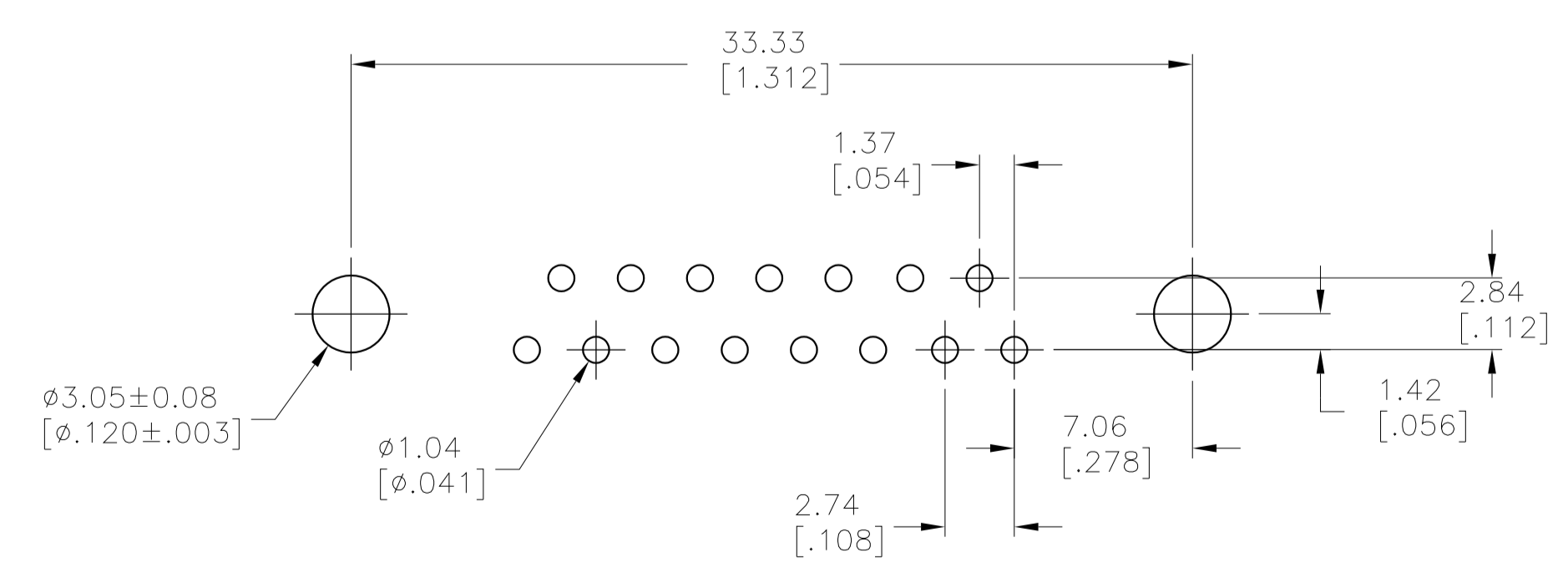
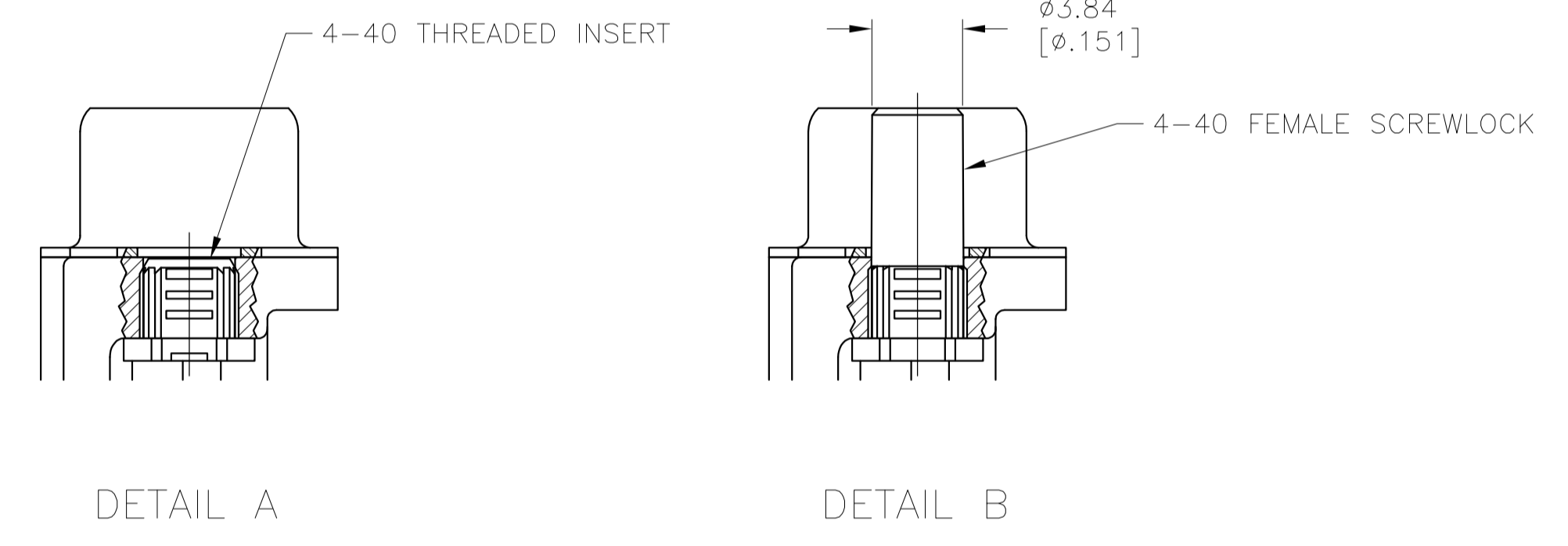
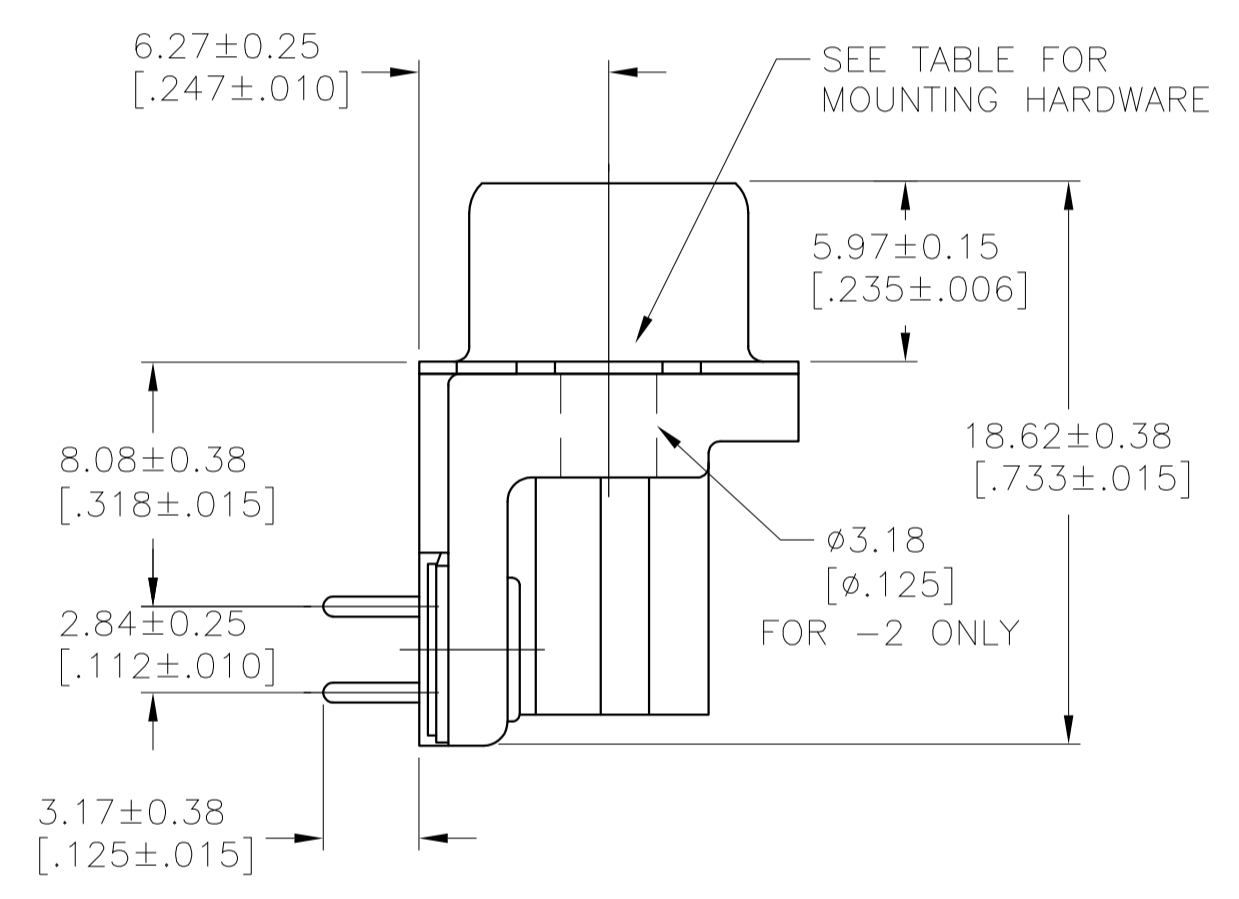
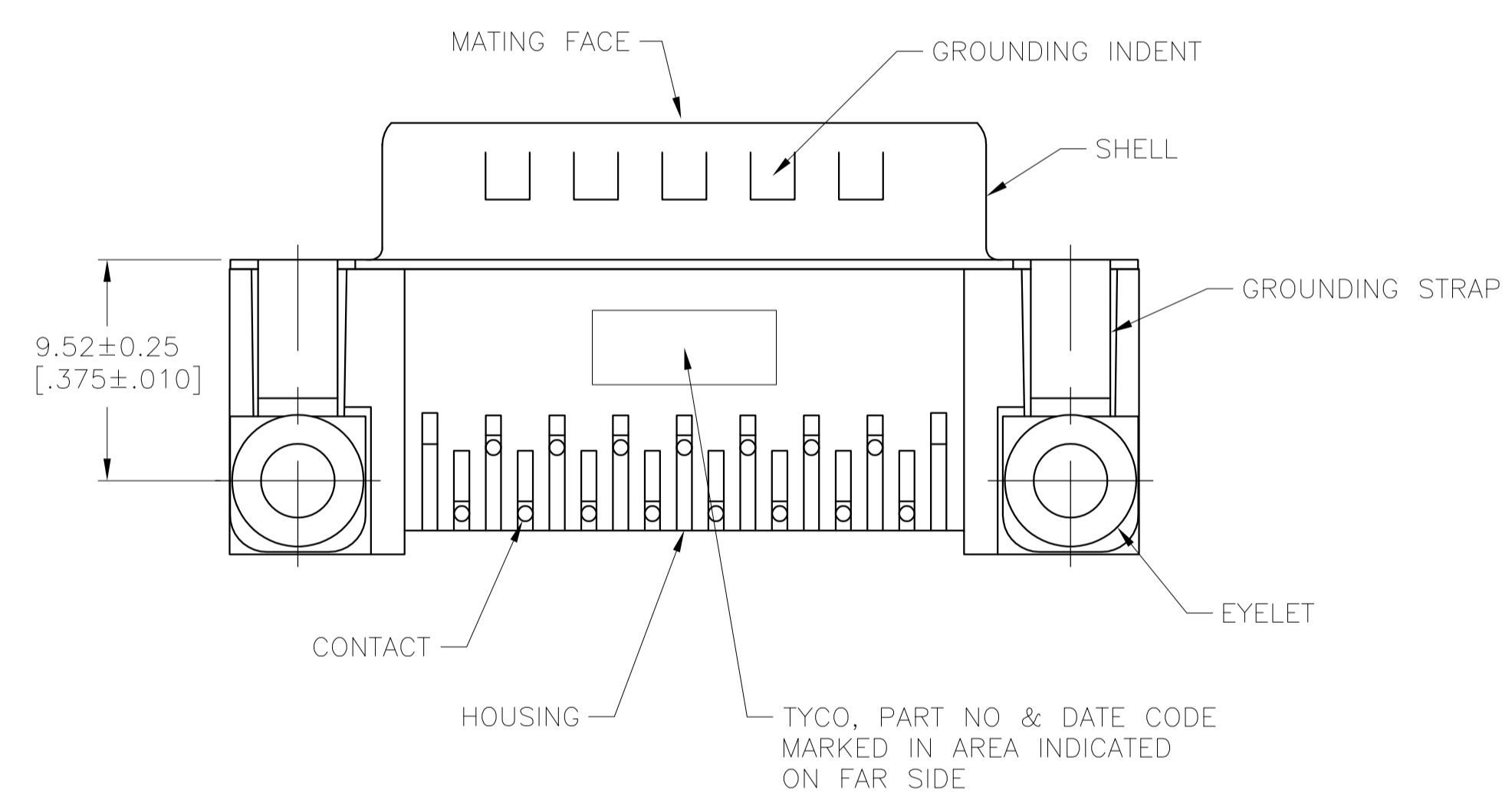
LOC		DIST		REVISIONS			
GP	00	REV	DATE	BY	CHK	APPV	
C		REVISED PER ECO-12-022391	02JAN2013	CJV	SLB		



⚠ HOUSING: NYLON OR POLYESTER, FLAME RETARDANT, 94V-0 RATED, COLOR BLACK.
 SHELL: CARBON STEEL.
 CONTACTS: BRASS.
 EYELETS: BRASS.
 INSERTS: ZINC.
 SCREWLOCKS: ZINC.

⚠ SHELL: 0.00254[.000100] MIN TIN OVER 0.00127[.000050] MIN COPPER.
 CONTACTS: 0.76 μ m (.000030) MIN GOLD PLATE ON THE MATING SURFACES, 2.54 μ m (.000100) MIN TIN PLATE ON THE SOLDER END, 1.27 μ m (.000050) MIN NICKEL UNDERPLATE ON THE ENTIRE CONTACT
 -OR-
 GOLD FLASH OVER PALLADIUM-NICKEL PLATE, 0.76 μ m (.000030) MIN TOTAL ON THE MATING SURFACES, 2.54 μ m (.000100) MIN TIN PLATE ON THE SOLDER END, 1.27 μ m (.000050) MIN NICKEL UNDERPLATE ON THE ENTIRE CONTACT.

EYELETS: 0.00508[.000200] MIN TIN OVER COPPER FLASH.
 INSERTS: CLEAR CHROMATE.
 SCREWLOCKS: CLEAR CHROMATE.



RECOMMENDED PC BOARD LAYOUT
 1.57[.062] PC BOARD
 (VIEWED FROM CONNECTOR SIDE)

SEE DETAIL B	5747236-6
SEE DETAIL A	5747236-4
NONE	5747236-2
MOUNTING HARDWARE	PART NUMBER

**COPYRIGHT 2005
 TYCO ELECTRONICS CORP
 ALL RIGHTS RESERVED**

THIS DRAWING IS A CONTROLLED DOCUMENT. DIMENSIONING AND TOLERANCING PER ASME Y14.5M-2009		DWG: J.GERACE 14JAN05	CHK: S.BOLASH 14JAN05	APPR: M.WALMSLEY 14JAN05	NAME: PLUG ASSEMBLY, SIZE 2, 15 POS, RIGHT ANGLE, FRONT METAL SHELL, 8.08[.318] SERIES, AMPLIMITE HD-20
DIMENSIONS: mm(INCHES)	TOLERANCES UNLESS OTHERWISE SPECIFIED:	0. PLC ± -	1. PLC ± -	2. PLC ± -	3. PLC ± 0.13(.005)
		4. PLC ± -	ANGLES ± ±	PRODUCT SPEC: 108-40025	APPLICATION SPEC: 114-40010
MATERIAL	FINISH	WEIGHT	SCALE	CAGE CODE	DRAWING NO
			A1	00779	5747236
CUSTOMER DRAWING		SCALE: 4:1	SHEET: 1 OF 1	REV: C	