



Chipsmall Limited consists of a professional team with an average of over 10 year of expertise in the distribution of electronic components. Based in Hongkong, we have already established firm and mutual-benefit business relationships with customers from,Europe,America and south Asia,supplying obsolete and hard-to-find components to meet their specific needs.

With the principle of “Quality Parts,Customers Priority,Honest Operation,and Considerate Service”,our business mainly focus on the distribution of electronic components. Line cards we deal with include Microchip,ALPS,ROHM,Xilinx,Pulse,ON,Everlight and Freescale. Main products comprise IC,Modules,Potentiometer,IC Socket,Relay,Connector.Our parts cover such applications as commercial,industrial, and automotives areas.

We are looking forward to setting up business relationship with you and hope to provide you with the best service and solution. Let us make a better world for our industry!



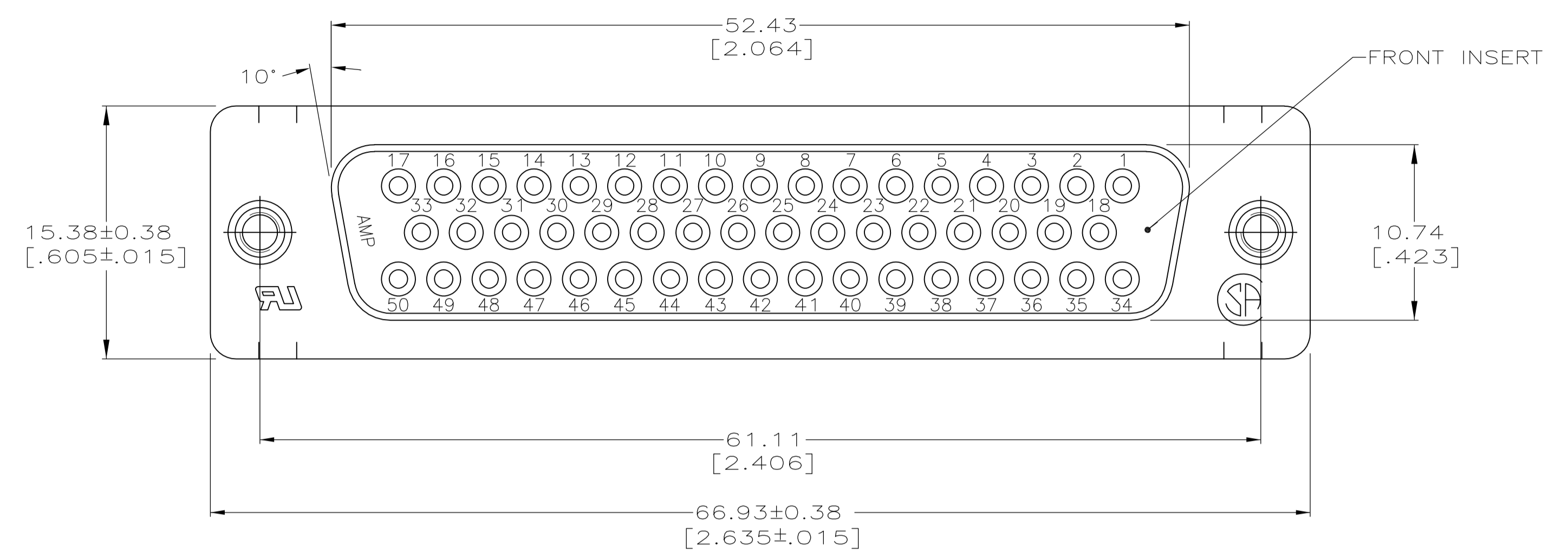
Contact us

Tel: +86-755-8981 8866 Fax: +86-755-8427 6832

Email & Skype: info@chipsmall.com Web: www.chipsmall.com

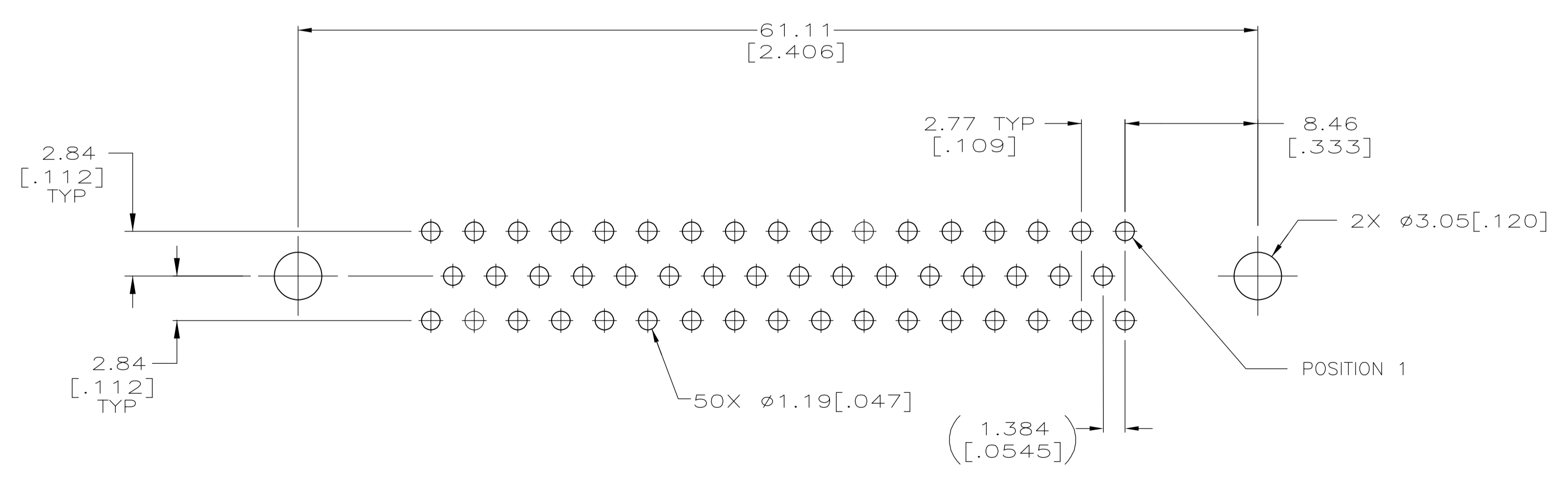
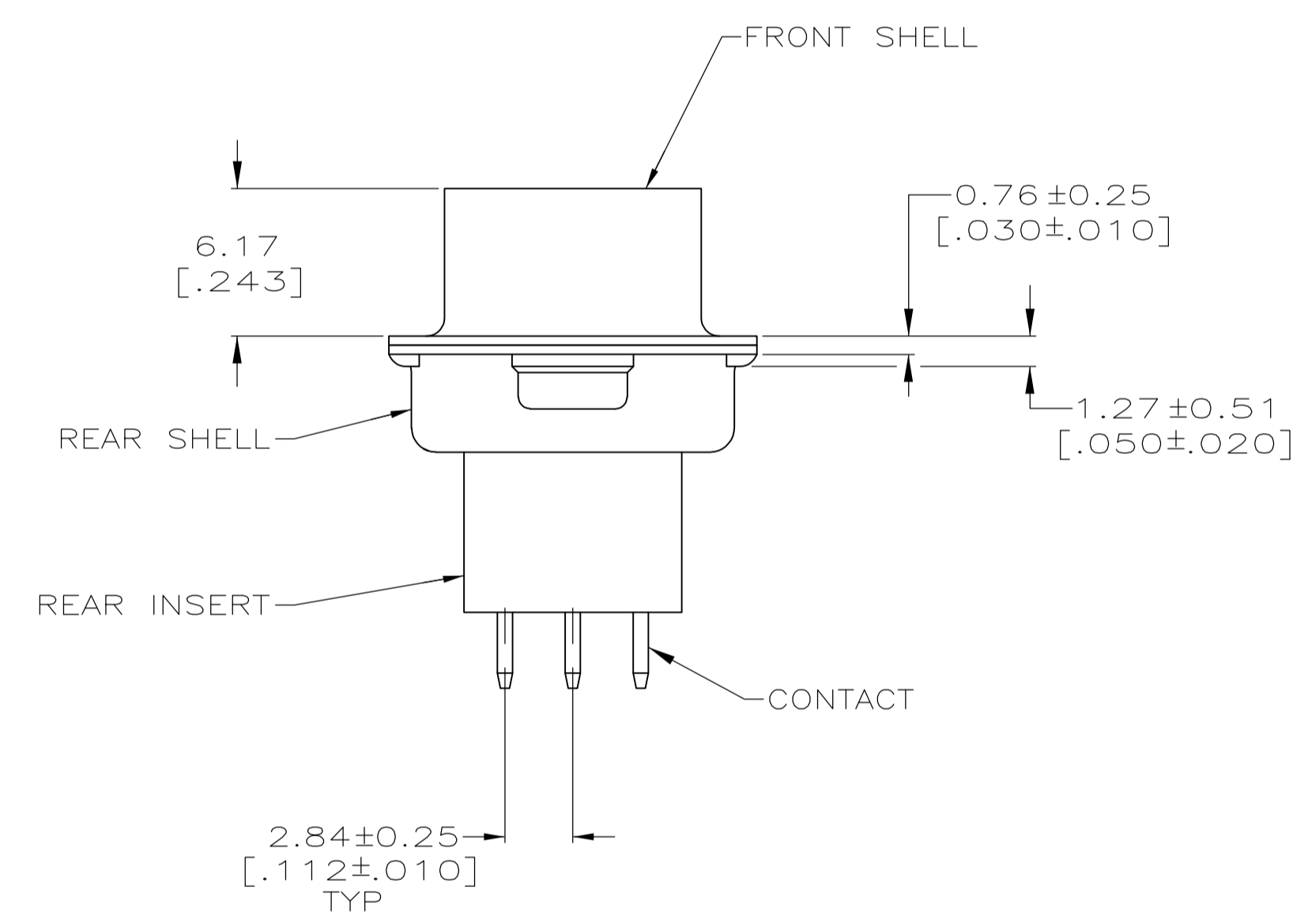
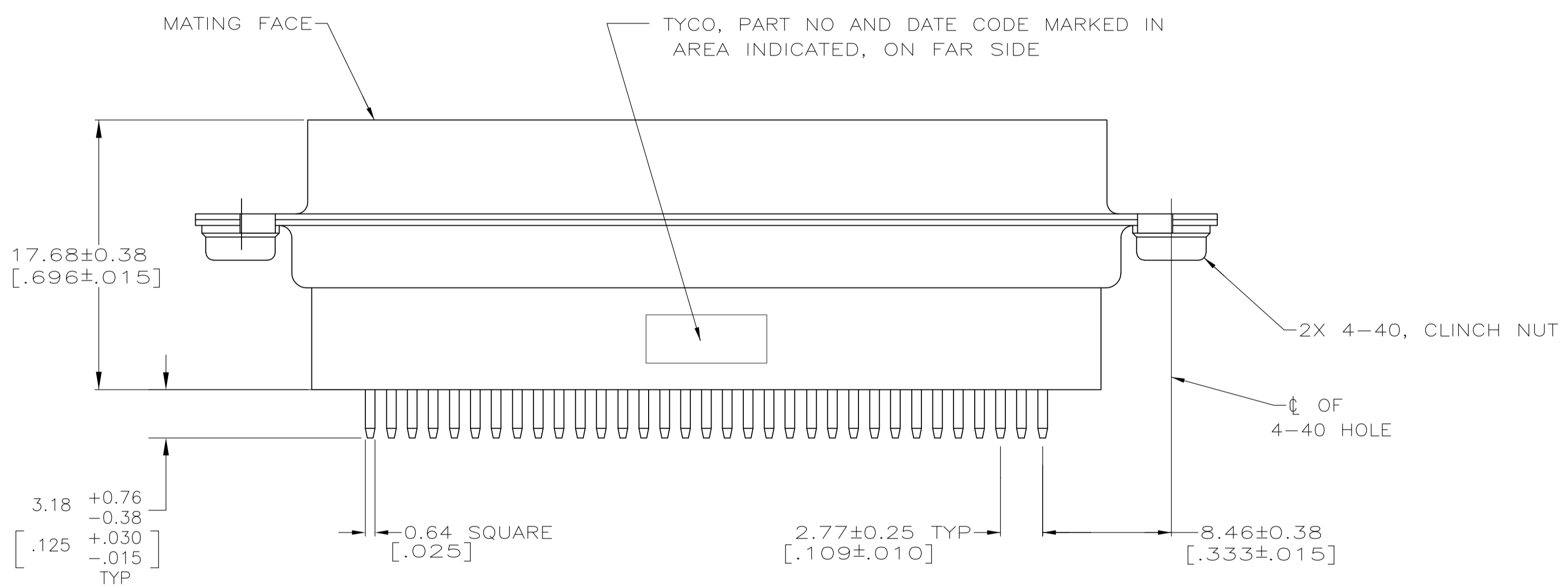
Address: A1208, Overseas Decoration Building, #122 Zhenhua RD., Futian, Shenzhen, China





1 MOLDDED PARTS: GLASS-FILLED NYLON, UL 94V-0 RATED, COLOR BLACK.
 CONTACTS: PHOSPHOR BRONZE.
 SHELLS: CARBON STEEL.
 CLINCH NUTS: CARBON STEEL.

2 SHELLS: 5.08µm [.000200] MIN TIN OVER 2.54µm [.000100] MIN COPPER.
 CLINCH NUTS: 5.08µm [.000200] MIN ZINC WITH CLEAR CHROMATE COATING.
 CONTACTS: 0.76µm [.000030] MIN GOLD FOR A LENGTH OF 2.54 [.100] MIN FROM MATING END, 2.54µm [.000100] MIN TIN ON OPPOSITE END, BOTH OVER 1.27µm [.000050] MIN NICKEL.
 -OR-
 GOLD FLASH OVER PALLADIUM-NICKEL 0.76µm [.000030] MIN TOTAL, PLATED FOR A LENGTH OF 2.54 [.100] MIN FROM MATING END, 2.54µm [.000100] MIN TIN ON OPPOSITE END, BOTH OVER 1.27µm [.000050] MIN NICKEL.



RECOMMENDED PC BOARD MOUNTING DIMENSIONS

5747302-1
PART NO

THIS DRAWING IS A CONTROLLED DOCUMENT.		DIN B. LATTUCA 16NOV05	Tyco Electronics Corporation Harrisburg, PA 17105-3608
DIMENSIONS: mm [INCHES]		CHK S. BOLASH 16NOV05	
TOLERANCES UNLESS OTHERWISE SPECIFIED:		APP'D M. WALMSLEY 16NOV05	NAME RECEPTACLE ASSEMBLY, SIZE 5, 50 POSN, VERTICAL, FRONT METAL SHELL, AMPLIMITE HD-20
0 PLC ± -		PRODUCT SPEC 108-40025	
1 PLC ± -		APPLICATION SPEC 114-40013	SIZE A1
2 PLC ± 0.13 [.005]		WEIGHT -	CAGE CODE 00779
3 PLC ± -		FINISH	DRAWING NO 5747302
4 PLC ± -		MATERIAL	RESTRICTED TO -
ANGLES ± -		1	CUSTOMER DRAWING
		2	SCALE NTS
			SHEET 1 OF 1
			REV C