



Chipsmall Limited consists of a professional team with an average of over 10 year of expertise in the distribution of electronic components. Based in Hongkong, we have already established firm and mutual-benefit business relationships with customers from,Europe,America and south Asia,supplying obsolete and hard-to-find components to meet their specific needs.

With the principle of “Quality Parts,Customers Priority,Honest Operation,and Considerate Service”,our business mainly focus on the distribution of electronic components. Line cards we deal with include Microchip,ALPS,ROHM,Xilinx,Pulse,ON,Everlight and Freescale. Main products comprise IC,Modules,Potentiometer,IC Socket,Relay,Connector.Our parts cover such applications as commercial,industrial, and automotives areas.

We are looking forward to setting up business relationship with you and hope to provide you with the best service and solution. Let us make a better world for our industry!



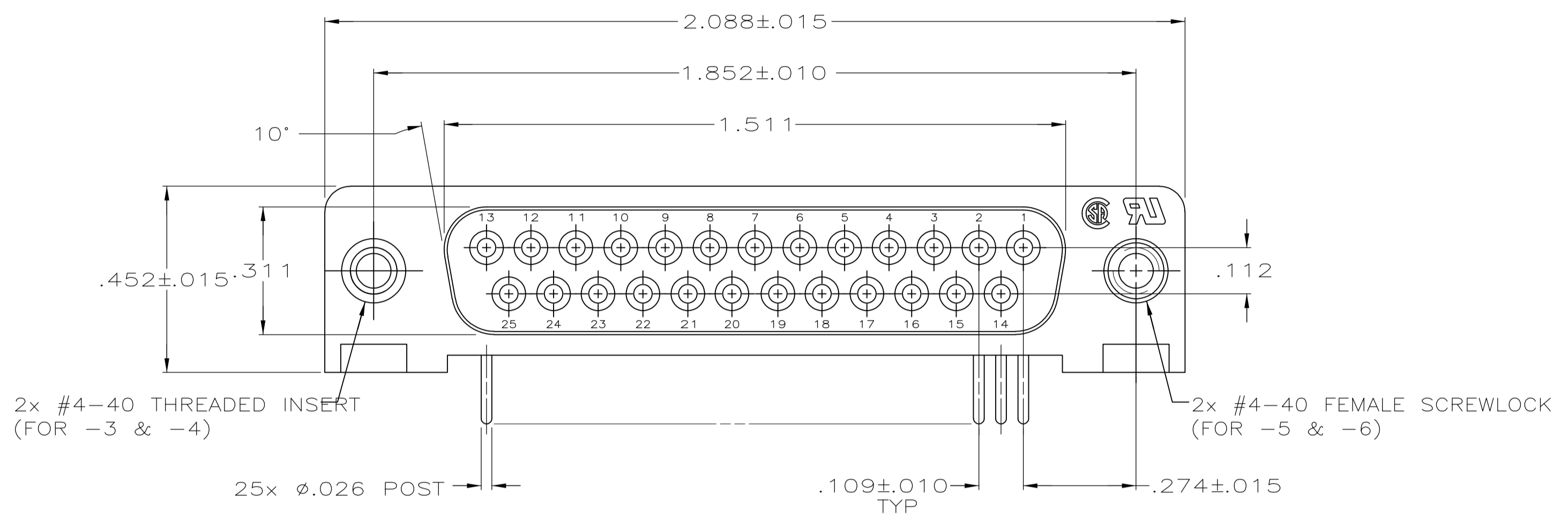
Contact us

Tel: +86-755-8981 8866 Fax: +86-755-8427 6832

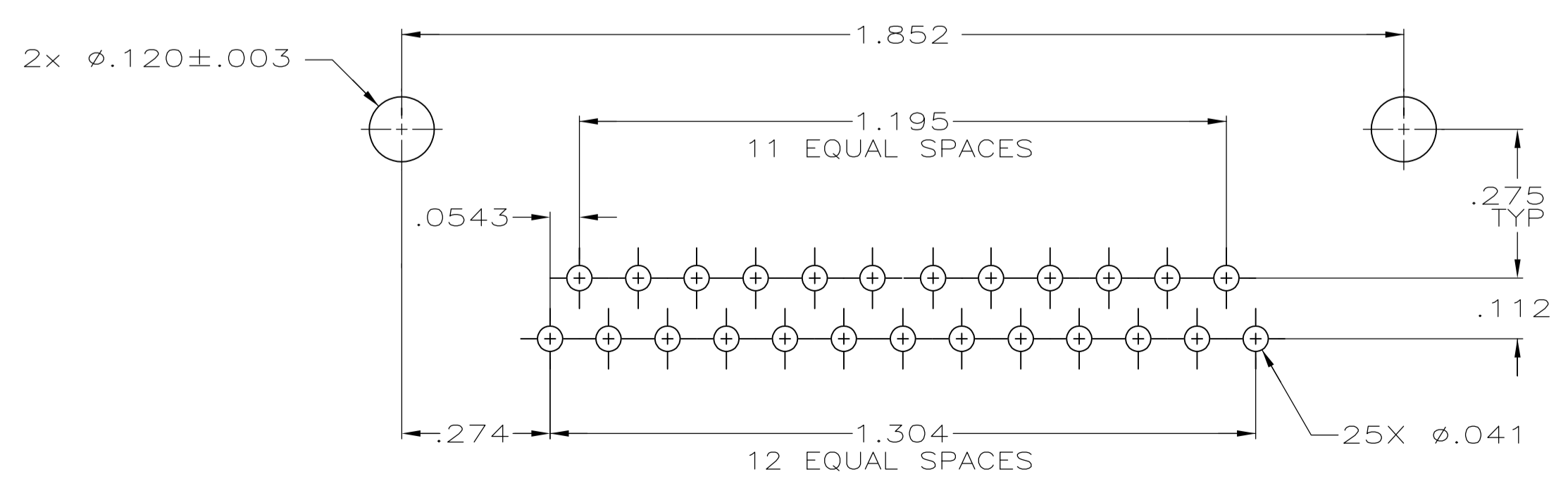
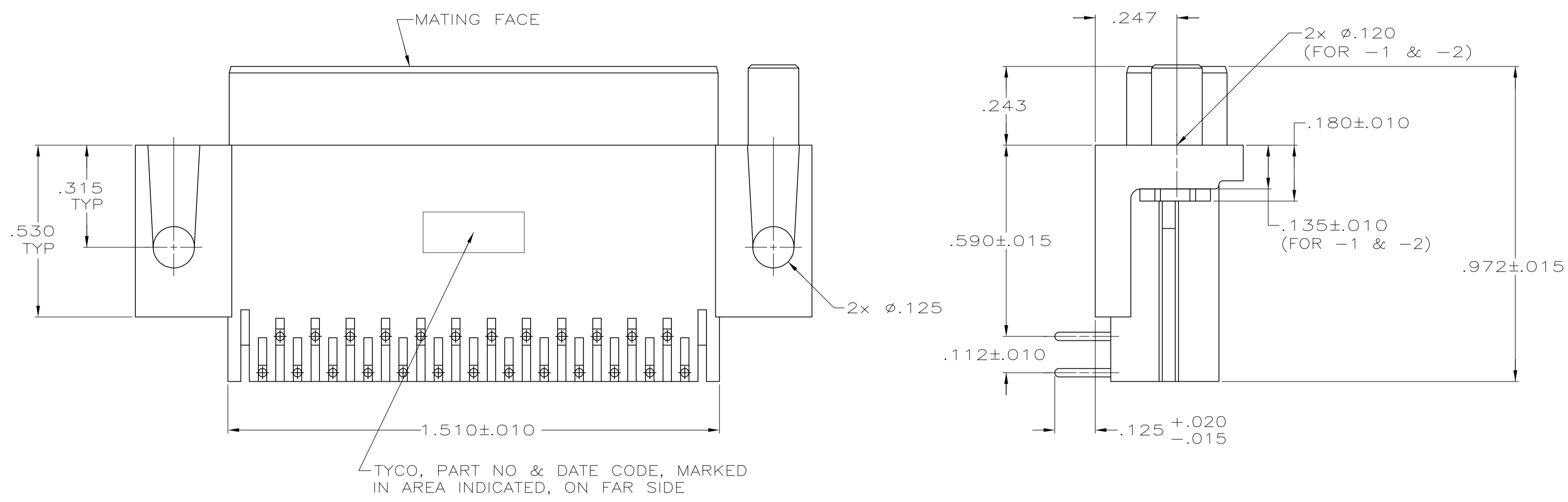
Email & Skype: info@chipsmall.com Web: www.chipsmall.com

Address: A1208, Overseas Decoration Building, #122 Zhenhua RD., Futian, Shenzhen, China





- 1 HOUSING: FLAME RETARDANT, 94V-0 RATED, GLASS FILLED, NYLON OR POLYESTER, COLOR: BLACK
CONTACTS: PHOS BRONZE.
INSERTS & SCREWLOCKS: ZINC.
- 2 REFER TO APPLICATION SPEC FOR RECOMMENDED P.C. BOARD MOUNTING DIMENSIONS FOR AUTOMATIC INSERTION.
- 3 CONTACTS: SEE TABLE
INSERTS & SCREWLOCKS: CLEAR CHROMATE COATING.
- 4 PLATED WITH GOLD FLASH FOR LENGTH OF .055 MIN FROM MATING END, .000100 MIN TIN ON SOLDER END, ALL OVER .000050 MIN NICKEL ON ENTIRE CONTACT.
- 5 PLATED WITH .000030 MIN GOLD FOR LENGTH OF .055 MIN FROM MATING END, .000100 MIN TIN SOLDER END, ALL OVER .000050 MIN NICKEL ON ENTIRE CONTACT.



RECOMMENDED P.C. BOARD MOUNTING DIMENSIONS 2

**COPYRIGHT 2005
TE CONNECTIVITY CORP
ALL RIGHTS RESERVED**

WITH SCREWLOCKS	5	5747461-6
WITH SCREWLOCKS	4	5747461-5
WITH INSERTS	5	5747461-4
WITH INSERTS	4	5747461-3
WITH .120 DIA HOLE	5	5747461-2
WITH .120 DIA HOLE	4	5747461-1
REMARKS	FINISH	PART NUMBER

THIS DRAWING IS A CONTROLLED DOCUMENT.		DIN G. PETERS 16SEP05	TE Connectivity	
DIMENSIONS: INCHES		CHK S. BOLASH 16SEP05	NAME	
TOLERANCES UNLESS OTHERWISE SPECIFIED:		APPD M. WALMSLEY 16SEP05	PRODUCT SPEC	
0 PLC	± -	108-40025		
1 PLC	± -	APPLICATION SPEC		
2 PLC	± -	114-40015		
3 PLC	± .005	SIZE		
4 PLC	± -	CAGE CODE		
ANGLES	± ± °	DRAWING NO		
MATERIAL	FINISH	WEIGHT		RESTRICTED TO
		A1 00779		5747461
		CUSTOMER DRAWING		SCALE 4:1 SHEET 1 OF 1 REV P