



Chipsmall Limited consists of a professional team with an average of over 10 year of expertise in the distribution of electronic components. Based in Hongkong, we have already established firm and mutual-benefit business relationships with customers from,Europe,America and south Asia,supplying obsolete and hard-to-find components to meet their specific needs.

With the principle of “Quality Parts,Customers Priority,Honest Operation,and Considerate Service”,our business mainly focus on the distribution of electronic components. Line cards we deal with include Microchip,ALPS,ROHM,Xilinx,Pulse,ON,Everlight and Freescale. Main products comprise IC,Modules,Potentiometer,IC Socket,Relay,Connector.Our parts cover such applications as commercial,industrial, and automotives areas.

We are looking forward to setting up business relationship with you and hope to provide you with the best service and solution. Let us make a better world for our industry!



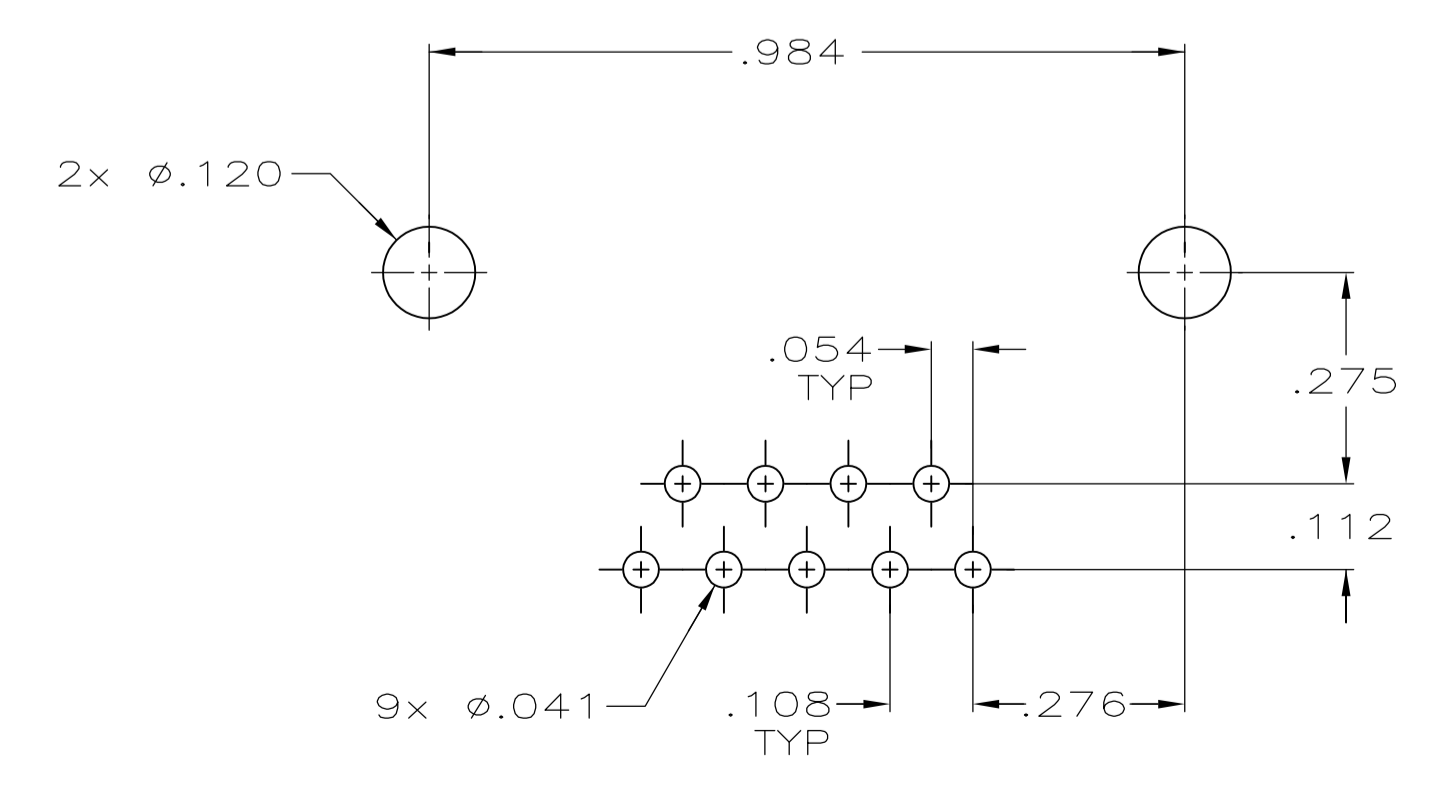
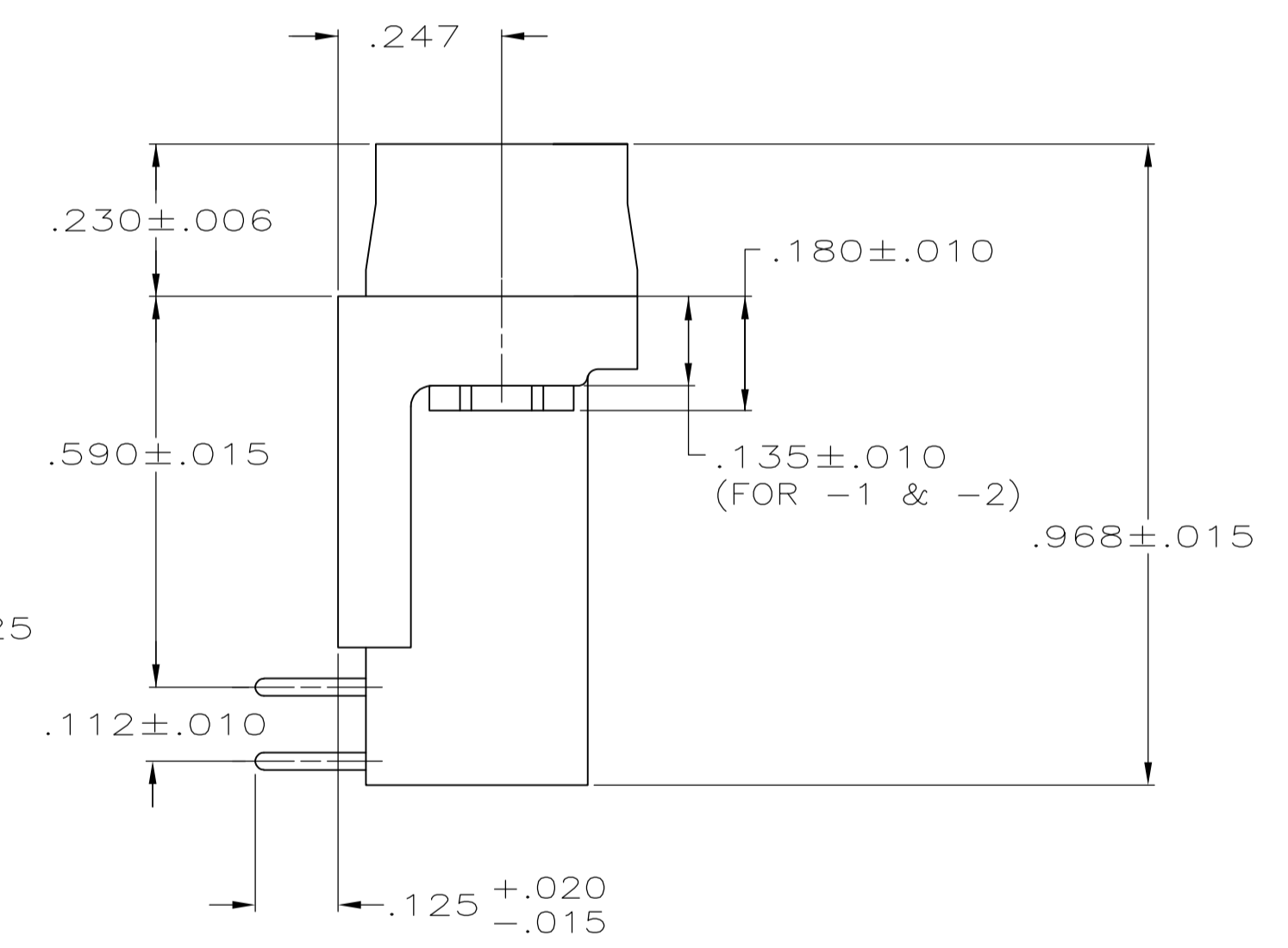
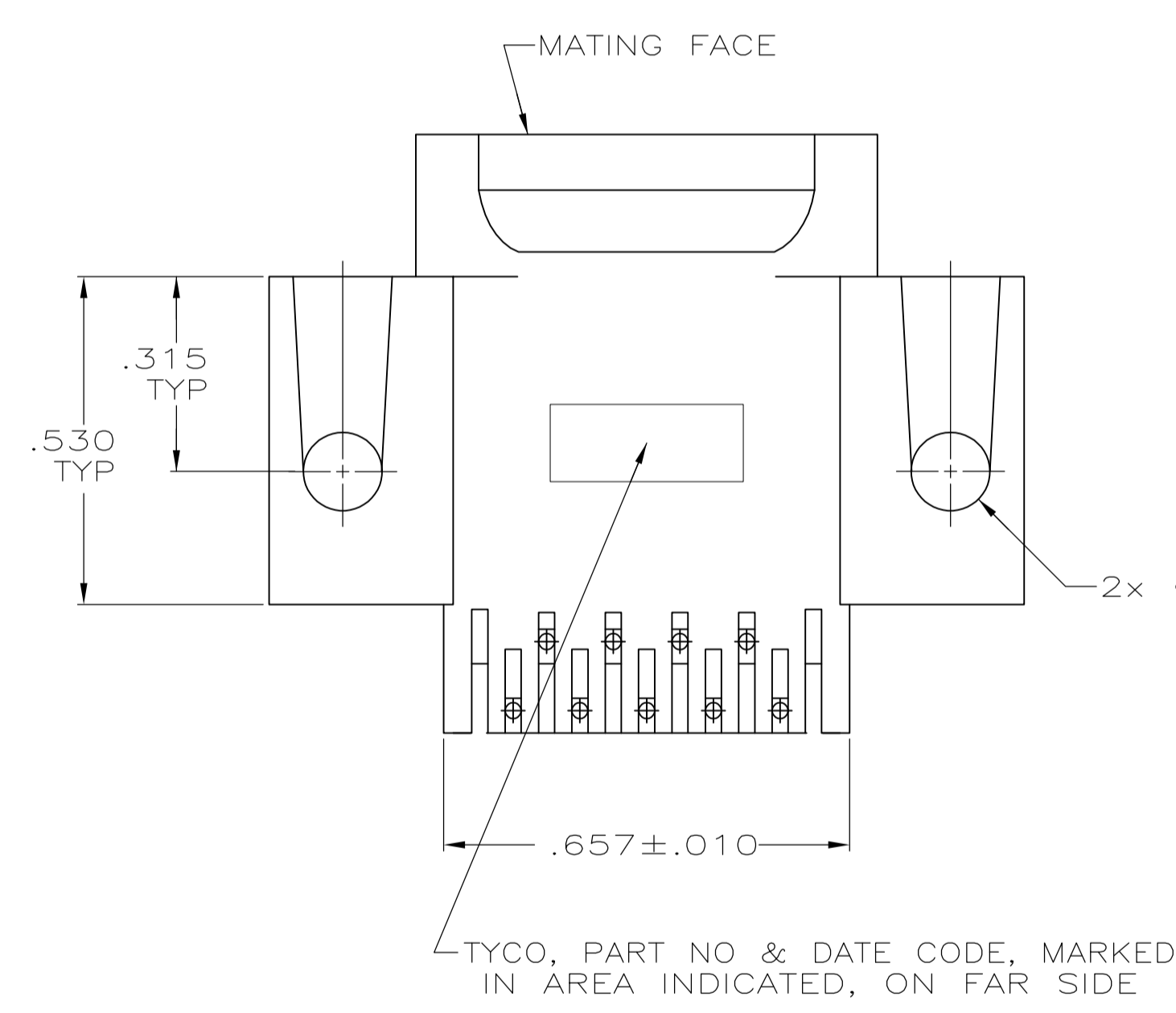
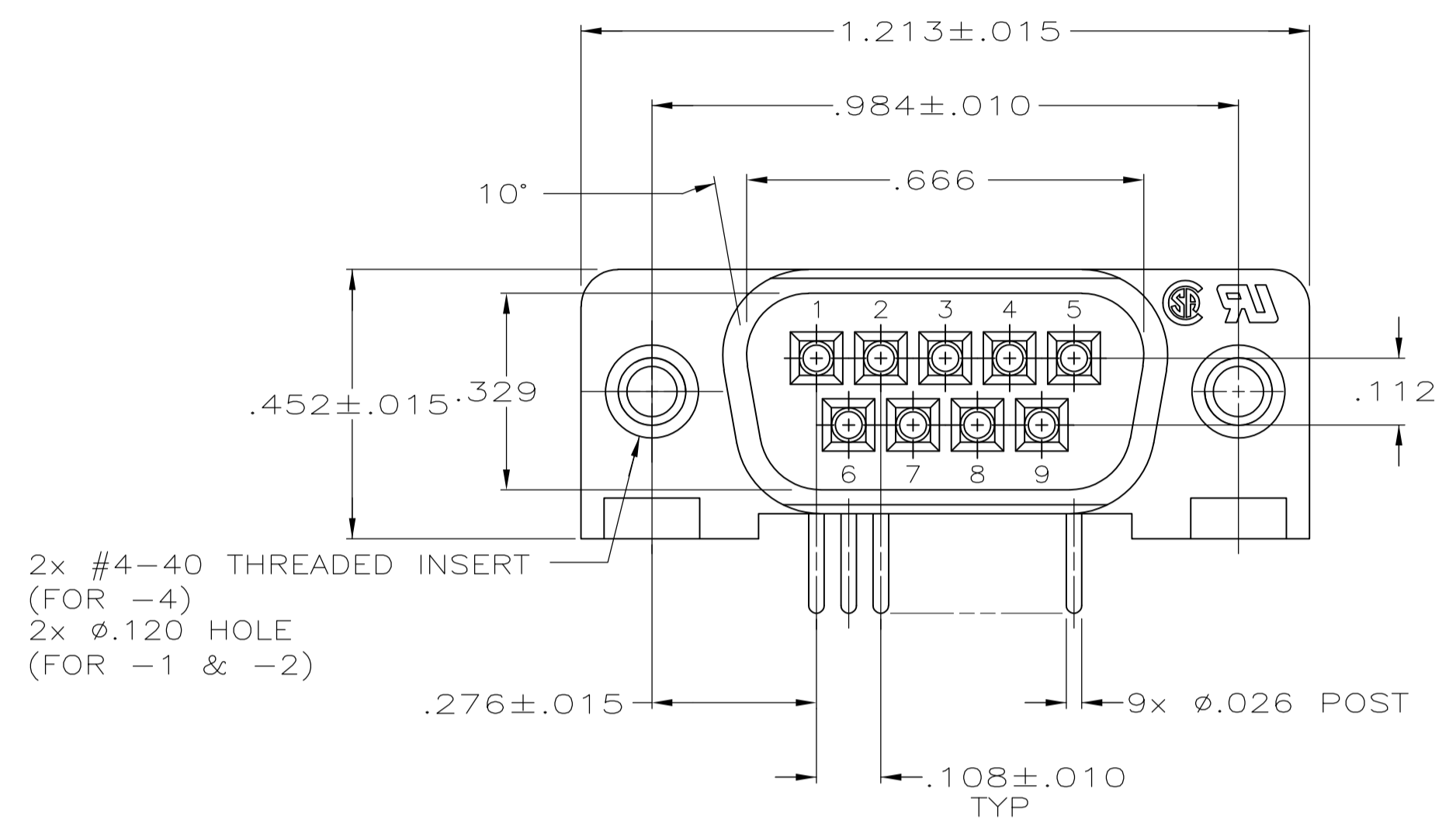
Contact us

Tel: +86-755-8981 8866 Fax: +86-755-8427 6832

Email & Skype: info@chipsmall.com Web: www.chipsmall.com

Address: A1208, Overseas Decoration Building, #122 Zhenhua RD., Futian, Shenzhen, China





- 1 HOUSING: FLAME RETARDANT, 94V-0 RATED, GLASS FILLED, NYLON OR POLYESTER, COLOR: BLACK.
CONTACTS: BRASS.
INSERTS: ZINC.
- 2 CONTACTS: SEE TABLE.
INSERTS: CLEAR CHROMATE COATING.
- 3 REFER TO APPLICATION SPEC FOR RECOMMENDED P.C. BOARD MOUNTING DIMENSIONS FOR AUTOMATIC INSERTION.
- 4 GOLD FLASH ON THE MATING SURFACES, .000100 MIN TIN ON THE SOLDER END, .000050 MIN NICKEL UNDERPLATE ON THE ENTIRE CONTACT.
- 5 .000030 MIN GOLD PLATE ON THE MATING SURFACES, .000100 MIN TIN PLATE ON THE SOLDER END, .000050 MIN NICKEL UNDERPLATE ON THE ENTIRE CONTACT
-OR-
GOLD FLASH OVER PALLADIUM-NICKEL PLATE, .000030 MIN TOTAL ON THE MATING SURFACES, .000100 MIN TIN ON THE SOLDER END, .000050 MIN NICKEL UNDERPLATE ON THE ENTIRE CONTACT.

WITH INSERTS	5	5747467-4
WITH .120 DIA HOLE	5	5747467-2
WITH .120 DIA HOLE	4	5747467-1
REMARKS	FINISH	PART NUMBER

**COPYRIGHT 2005
TYCO ELECTRONICS CORP
ALL RIGHTS RESERVED**

THIS DRAWING IS A CONTROLLED DOCUMENT.		DIN G. PETERS 19SEP05		TE Connectivity	
DIMENSIONS: INCHES		CHK S. BOLASH 19SEP05			
TOLERANCES UNLESS OTHERWISE SPECIFIED:		APPD M. WALMSLEY 19SEP05		NAME	
0 PLC ± -		PRODUCT SPEC		PLUG ASSY, SIZE 1, 9 POSN.	
1 PLC ± -		APPLICATION SPEC		RIGHT ANGLE, .590 SERIES, .026 DIA POSTS, AMPLIMITE HD-20	
2 PLC ± -		114-40015		SIZE	
3 PLC ± .005		108-40025		CAGE CODE	
4 PLC ± -		A1 00779		DRAWING NO	
ANGLES ± - °		5747467		RESTRICTED TO	
MATERIAL		WEIGHT		CUSTOMER DRAWING	
FINISH		SCALE 4:1		SHEET 1 OF 1	
				REV B	