



Chipsmall Limited consists of a professional team with an average of over 10 year of expertise in the distribution of electronic components. Based in Hongkong, we have already established firm and mutual-benefit business relationships with customers from,Europe,America and south Asia,supplying obsolete and hard-to-find components to meet their specific needs.

With the principle of “Quality Parts,Customers Priority,Honest Operation,and Considerate Service”,our business mainly focus on the distribution of electronic components. Line cards we deal with include Microchip,ALPS,ROHM,Xilinx,Pulse,ON,Everlight and Freescale. Main products comprise IC,Modules,Potentiometer,IC Socket,Relay,Connector.Our parts cover such applications as commercial,industrial, and automotives areas.

We are looking forward to setting up business relationship with you and hope to provide you with the best service and solution. Let us make a better world for our industry!



Contact us

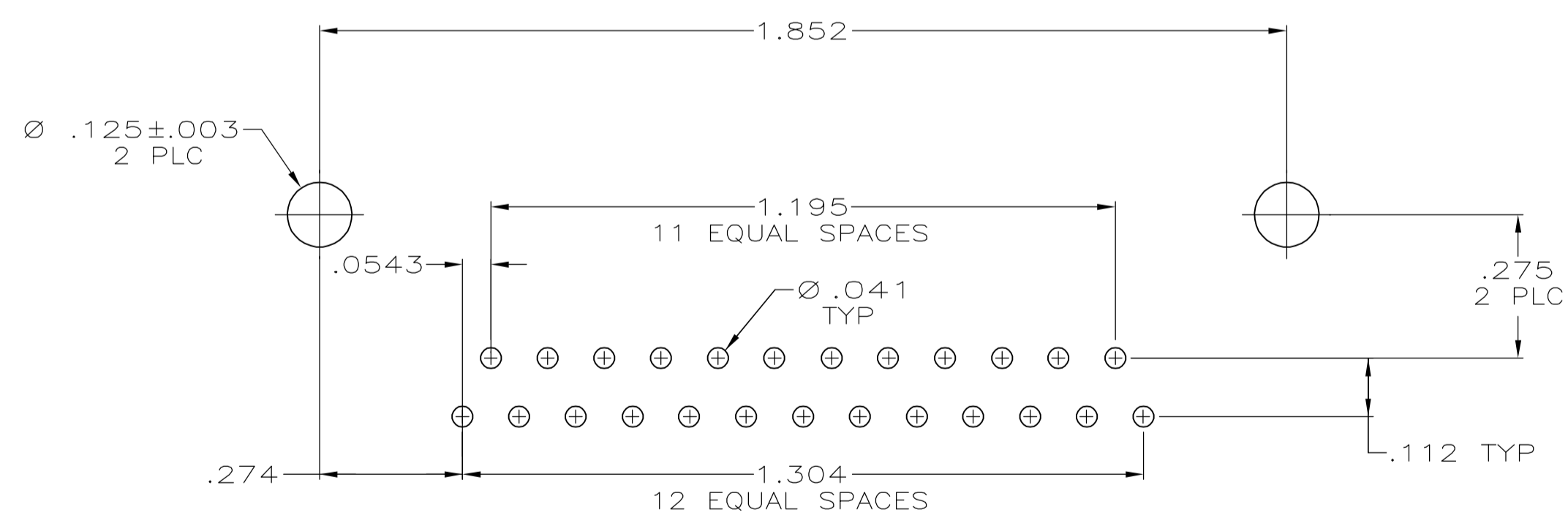
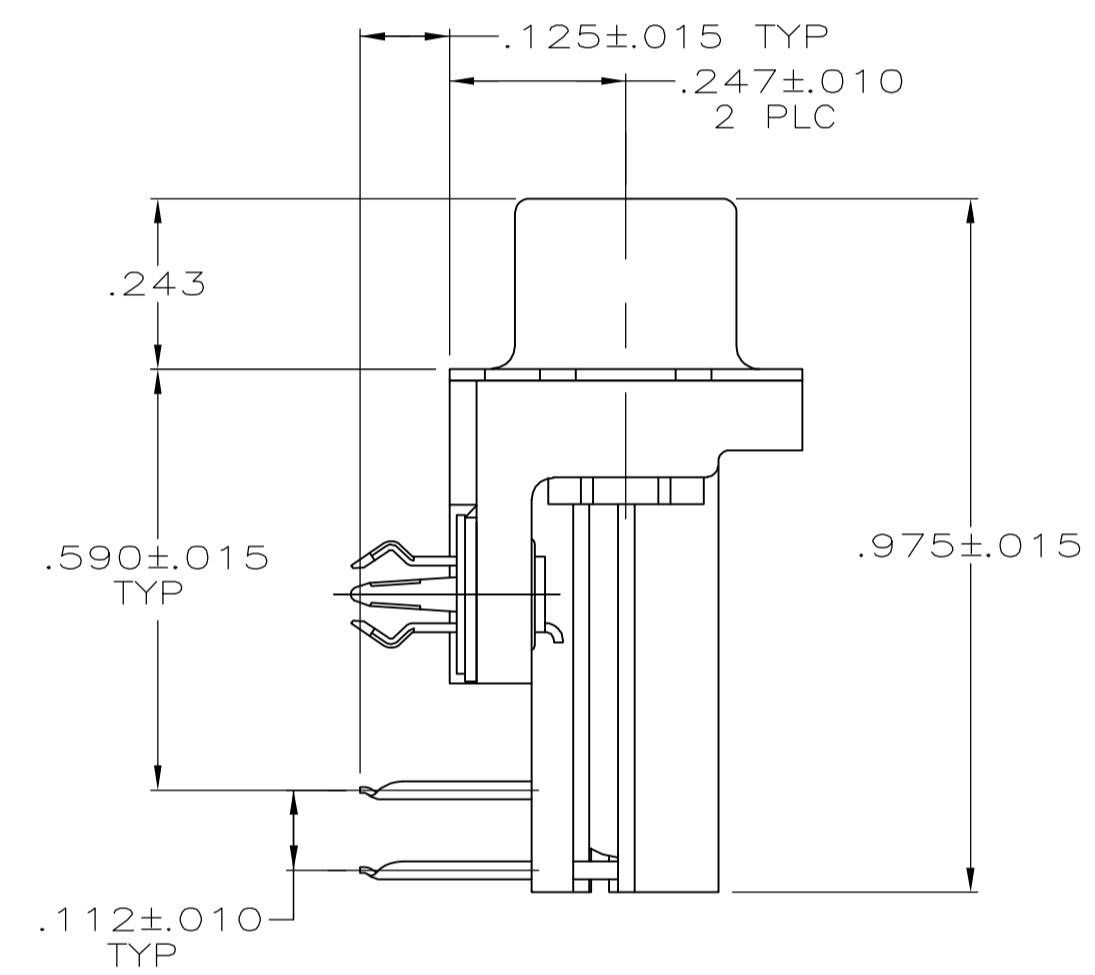
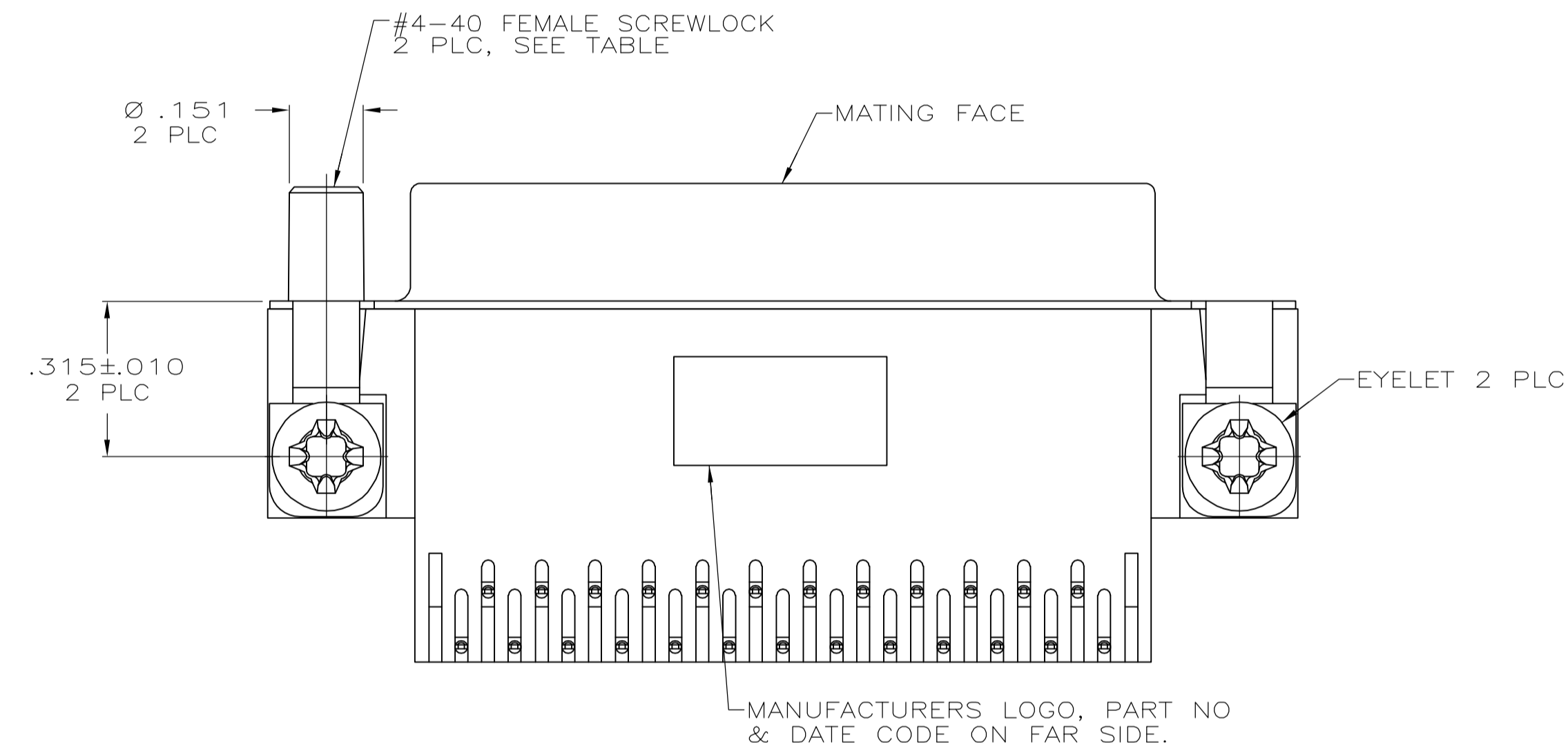
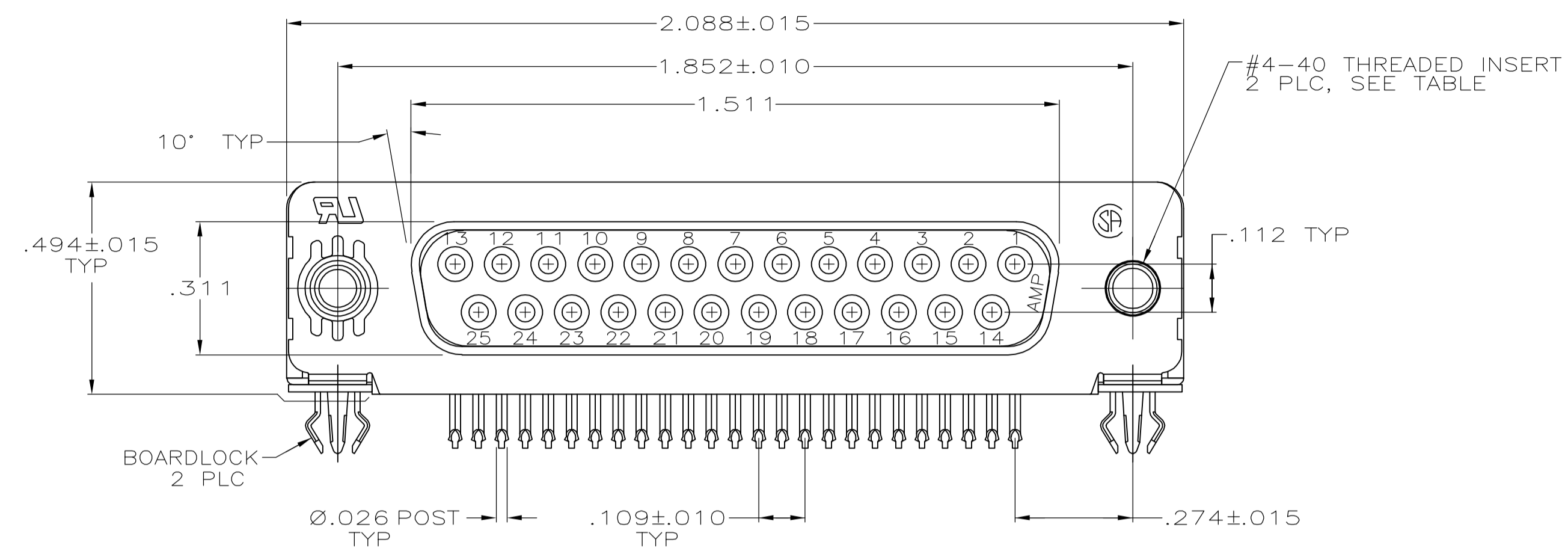
Tel: +86-755-8981 8866 Fax: +86-755-8427 6832

Email & Skype: info@chipsmall.com Web: www.chipsmall.com

Address: A1208, Overseas Decoration Building, #122 Zhenhua RD., Futian, Shenzhen, China



LOC	DIST	REVISIONS					
GP	00	P	LTR	DESCRIPTION	DATE	DWN	APVD
		0		RELEASED PER EC 0513-0016-05	04-12-05	GA	JG



- 1 HOUSING: NYLON OR POLYESTER, FLAME RETARDANT, UL 94V-0 RATED, GLASS FILLED, BLACK.
SHELL: CARBON STEEL
CONTACTS: PHOSPHOR BRONZE
EYELETS: BRASS
SCREWLOCKS: ZINC
INSERTS: ZINC
BOARDLOCKS: COPPER ALLOY
- 2 SHELL: .000100 MIN TIN OVER .000050 MIN COPPER.
EYELETS: .000100 MIN TIN OVER COPPER FLASH.
CONTACTS: SEE TABLE
BOARDLOCKS: .000150 MIN TIN OVER .000050 MIN NICKEL.
INSERTS: CLEAR CHROMATE
SCREWLOCKS: CLEAR CHROMATE
- 3 GOLD FLASH FOR A DISTANCE OF .100 MIN FROM MATING END, .000100 MIN TIN ON TERMINATION END, ALL OVER .000050 MIN NICKEL ON ENTIRE CONTACT.
- 4 .000030 MIN GOLD FOR A DISTANCE OF .100 MIN FROM MATING END, .000100 MIN TIN ON TERMINATION END, ALL OVER .000050 MIN NICKEL ENTIRE CONTACT.

FEMALE SCREWLOCKS	4	5747838-6
THREADED INSERTS	4	5747838-4
THREADED INSERTS	3	5747838-3
MOUNTING HARDWARE	CONTACT FINISH	PART NUMBER

**COPYRIGHT 2005
TYCO ELECTRONICS CORP
ALL RIGHTS RESERVED**

THIS DRAWING IS A CONTROLLED DOCUMENT.

DIMENSIONS:	TOLERANCES UNLESS OTHERWISE SPECIFIED:	DWN G. ATTADIA - DOCKS 04-12-05	APVD M. WALMSLEY 04-12-05	NAME S. BOLASH 04-12-05	tyco Electronics	Tyco Electronics Corporation Harrisburg, PA 17105-3608
INCHES:	0 PLC ± - 1 PLC ± - 2 PLC ± - 3 PLC ± .005 4 PLC ± - ± z	PRODUCT SPEC 108-40025	APPLICATION SPEC 114-40010	SIZE A1	CAGE CODE 00779	DRAWING NO 5747838
MATERIAL	FINISH	WEIGHT	CUSTOMER DRAWING	SCALE 4:1	SHEET 1 OF 1	REV 0