



Chipsmall Limited consists of a professional team with an average of over 10 year of expertise in the distribution of electronic components. Based in Hongkong, we have already established firm and mutual-benefit business relationships with customers from,Europe,America and south Asia,supplying obsolete and hard-to-find components to meet their specific needs.

With the principle of “Quality Parts,Customers Priority,Honest Operation,and Considerate Service”,our business mainly focus on the distribution of electronic components. Line cards we deal with include Microchip,ALPS,ROHM,Xilinx,Pulse,ON,Everlight and Freescale. Main products comprise IC,Modules,Potentiometer,IC Socket,Relay,Connector.Our parts cover such applications as commercial,industrial, and automotives areas.

We are looking forward to setting up business relationship with you and hope to provide you with the best service and solution. Let us make a better world for our industry!



Contact us

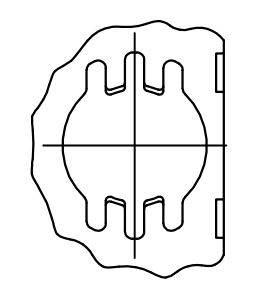
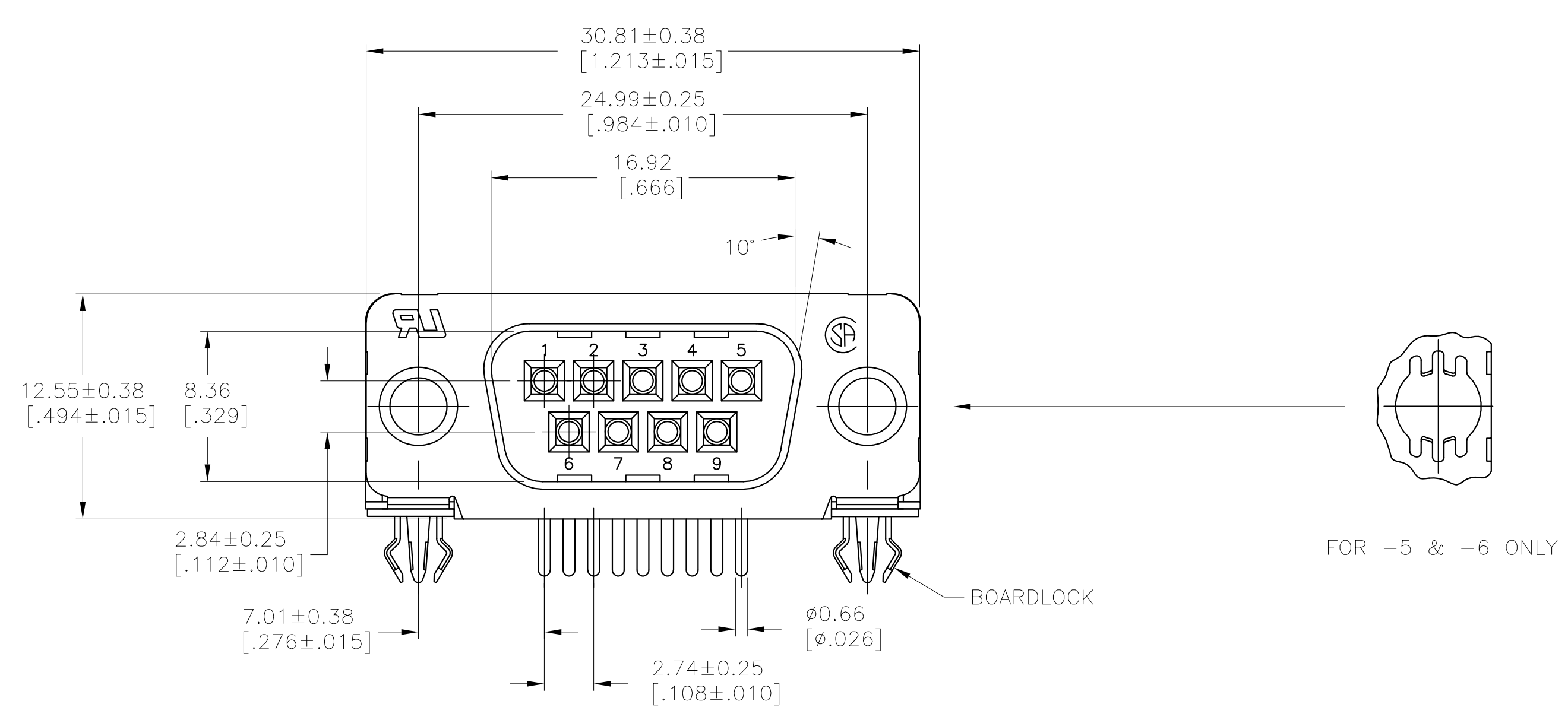
Tel: +86-755-8981 8866 Fax: +86-755-8427 6832

Email & Skype: info@chipsmall.com Web: www.chipsmall.com

Address: A1208, Overseas Decoration Building, #122 Zhenhua RD., Futian, Shenzhen, China

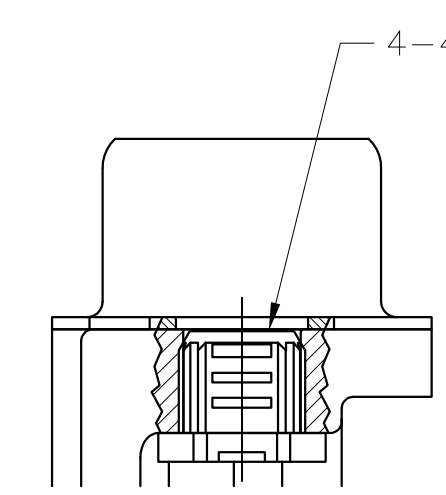
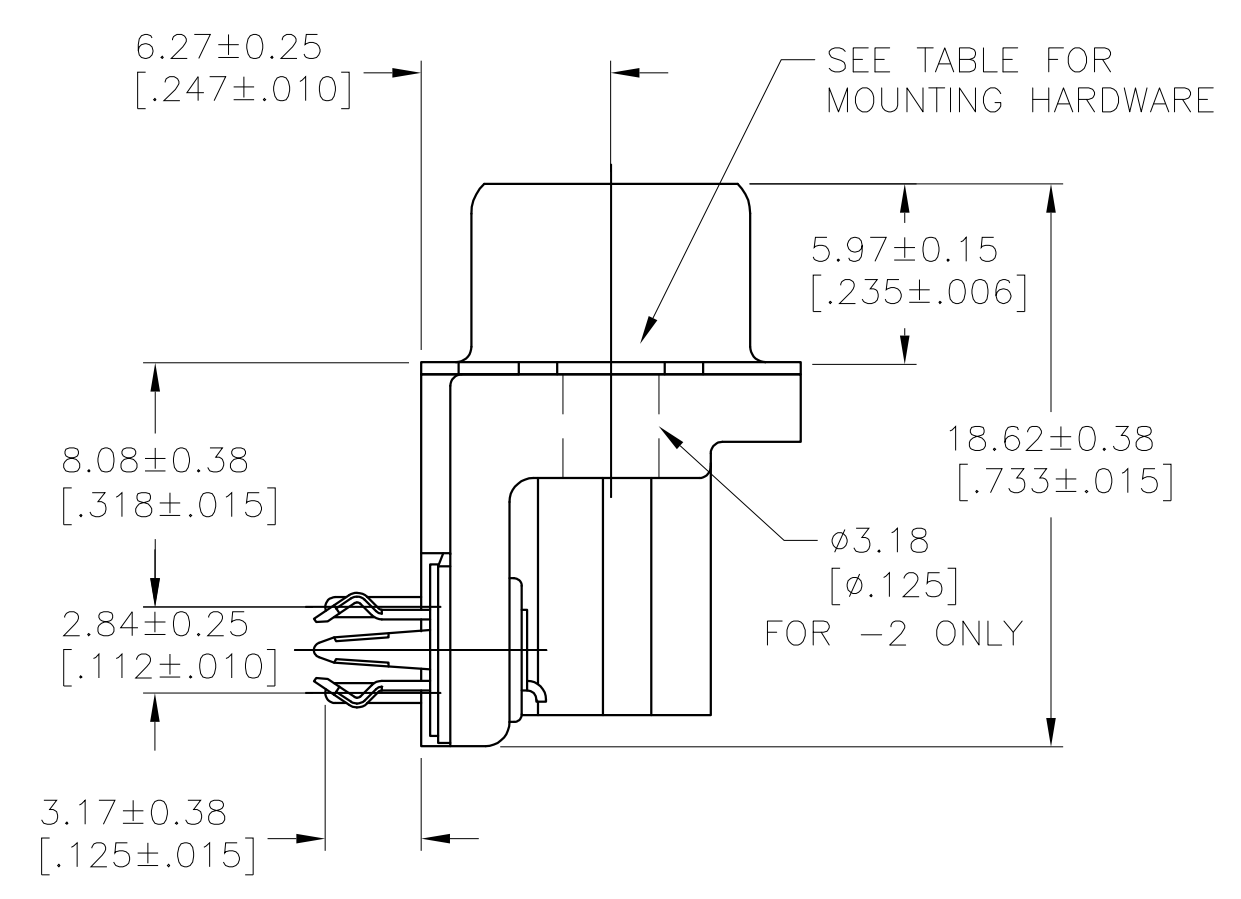
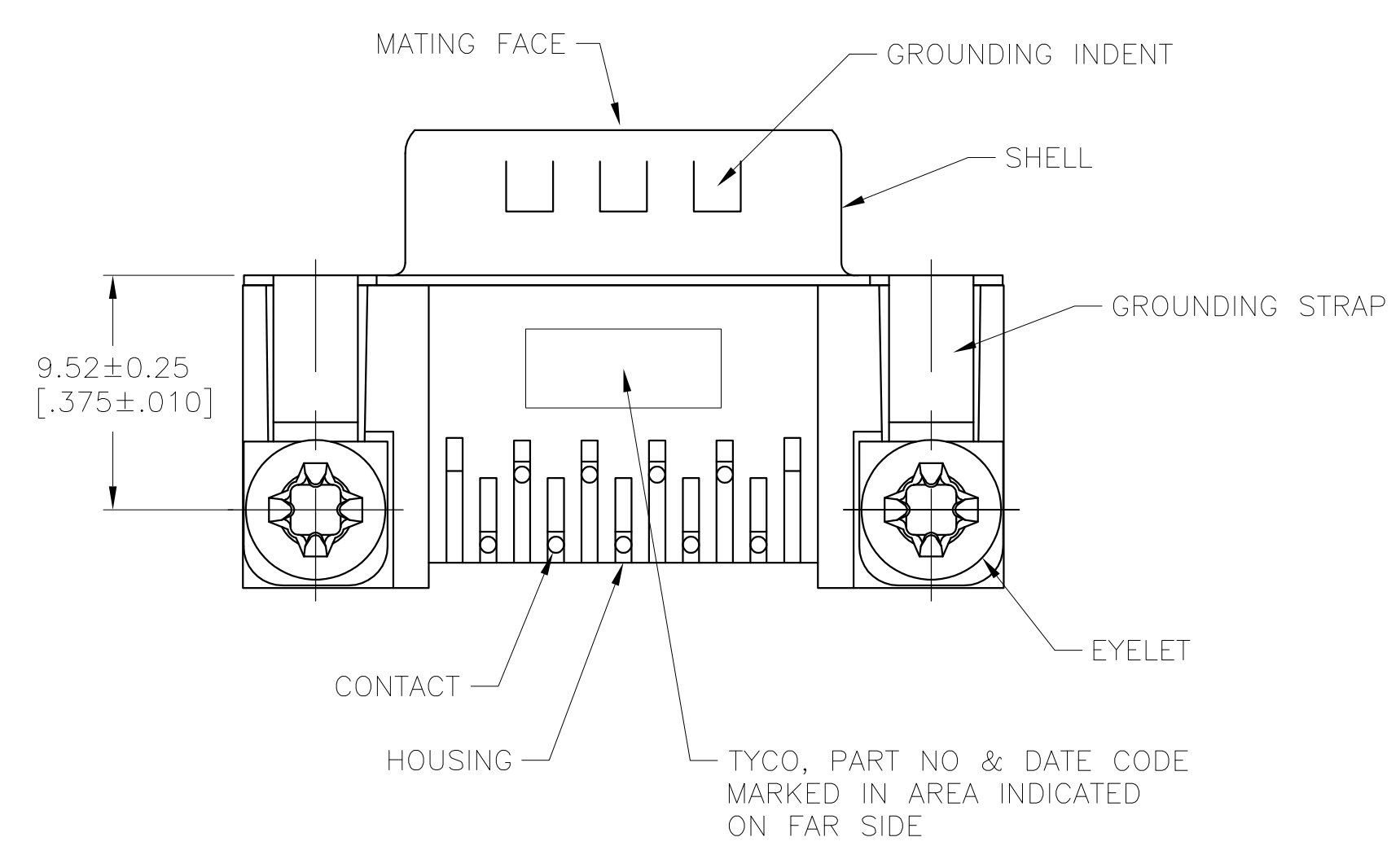


LOC		DIST		REVISIONS			
P	LTR	DESCRIPTION	DATE	DMN	APVD		
D		REVISED PER ECO-12-022391	02JAN2013	CJV	SLB		

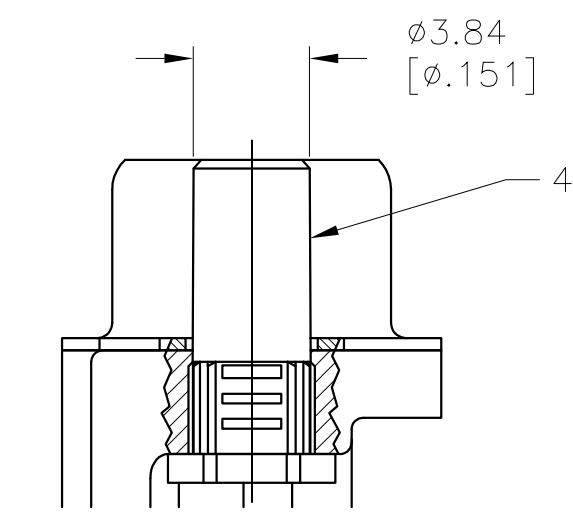


FOR -5 & -6 ONLY

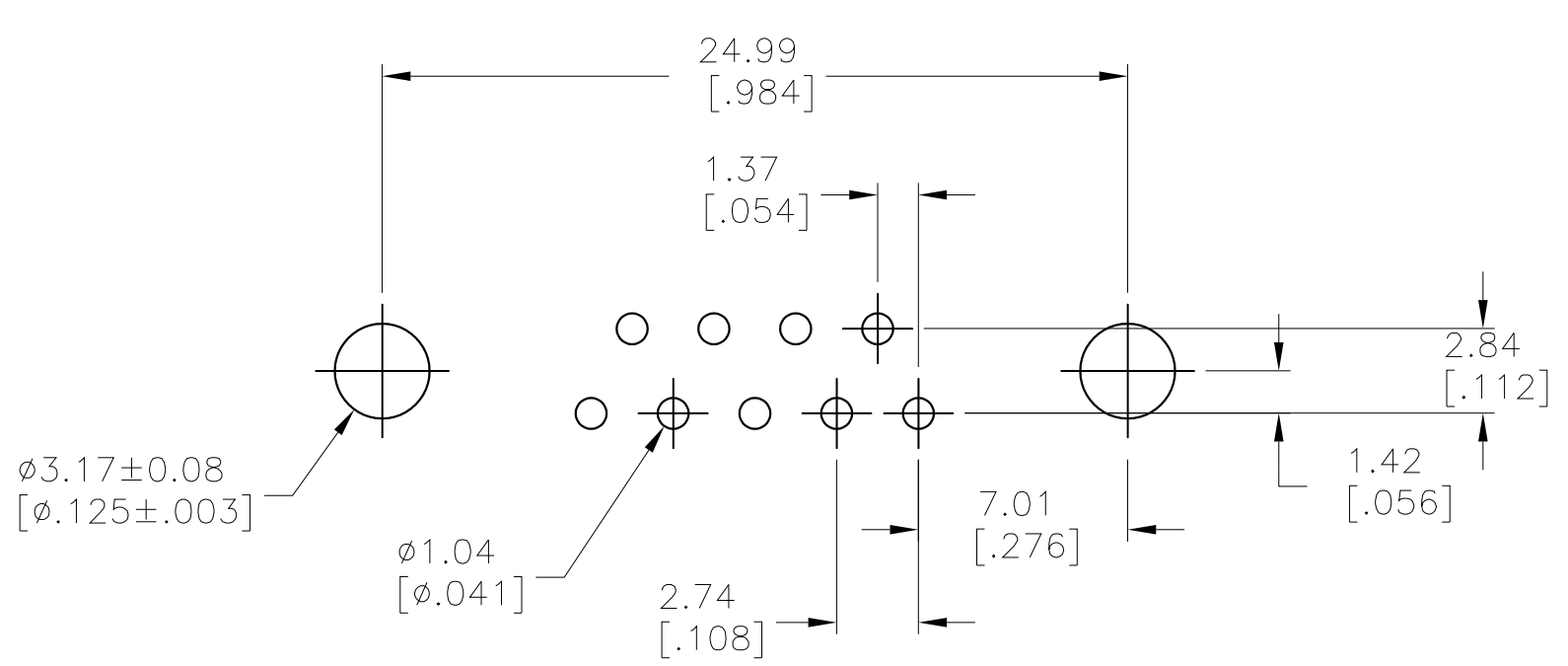
- 1 HOUSING: NYLON OR POLYESTER, FLAME RETARDANT, 94V-0 RATED, COLOR BLACK.
SHELL: CARBON STEEL.
CONTACTS: BRASS.
EYELETS: BRASS.
BOARDLOCKS: COPPER ALLOY.
INSERTS: ZINC.
SCREWLOCKS: ZINC.
- 2 SHELL: .00254μm[.000100] MIN TIN OVER .00127μm[.000050] MIN COPPER.
CONTACTS: SEE TABLE.
EYELETS: .00508μm[.000200] MIN TIN OVER COPPER FLASH.
BOARDLOCKS: .00508μm[.000200] MIN TIN OVER .00127μm[.000050] MIN NICKEL.
INSERTS: CLEAR CHROMATE.
SCREWLOCKS: CLEAR CHROMATE.
- 3 0.76μm[.000030] MIN GOLD PLATE ON THE MATING SURFACES, 2.54μm[.000100] MIN TIN PLATE ON THE SOLDER END, 1.27μm[.000050] MIN NICKEL UNDERPLATE ON THE ENTIRE CONTACT
-OR-
GOLD FLASH OVER PALLADIUM-NICKEL PLATE, 0.76μm[.000030] MIN TOTAL ON THE MATING SURFACES, 2.54μm[.000100] MIN TIN PLATE ON THE SOLDER END, 1.27μm[.000050] MIN NICKEL UNDERPLATE ON THE ENTIRE CONTACT.
- 4 GOLD FLASH ON MATING END, .00254μm[.000100] MIN TIN ON SOLDER END, ALL OVER .00127μm[.000050] MIN NICKEL.



DETAIL A



DETAIL B



RECOMMENDED PC BOARD LAYOUT
1.57[.062] PC BOARD
(VIEWED FROM CONNECTOR SIDE)

**COPYRIGHT 2005
TYCO ELECTRONICS CORP
ALL RIGHTS RESERVED**

1	SEE DETAIL B	5747840-6
2	SEE DETAIL B	5747840-5
3	SEE DETAIL A	5747840-4
4	SEE DETAIL A	5747840-3
	NONE	5747840-2
	CONTACT FINISH	MOUNTING HARDWARE
		PART NUMBER

DIMENSIONS:		TOLERANCES UNLESS OTHERWISE SPECIFIED:		APPROVED		NAME	
INCHES		0. PLC	± -	J. GERACE	07FEB05	STE TE Connectivity	
		1. PLC	± -	S. BOLASH	07FEB05	PLUG ASSEMBLY, SIZE 1, 9 POS, RIGHT ANGLE, FRONT METAL SHELL, 8.08[.318] SERIES, AMPLIMITE HD-20	
		2. PLC	± -	M. WALMSLEY	07FEB05	PRODUCT SPEC	
		3. PLC	± 0.13[.005]			108-40025	
		4. PLC	± - ±			APPLICATION SPEC	
		ANGLES	± - ±			114-40010	
MATERIAL		FINISH				SIZE	CAGE CODE
						A1	00779
						WEIGHT	DRAWING NO
							5747840
						CUSTOMER DRAWING	SCALE
							4:1
							SHEET
							1 OF 1
							REV
							D