



Chipsmall Limited consists of a professional team with an average of over 10 year of expertise in the distribution of electronic components. Based in Hongkong, we have already established firm and mutual-benefit business relationships with customers from,Europe,America and south Asia,supplying obsolete and hard-to-find components to meet their specific needs.

With the principle of "Quality Parts,Customers Priority,Honest Operation,and Considerate Service",our business mainly focus on the distribution of electronic components. Line cards we deal with include Microchip,ALPS,ROHM,Xilinx,Pulse,ON,Everlight and Freescale. Main products comprise IC,Modules,Potentiometer,IC Socket,Relay,Connector.Our parts cover such applications as commercial,industrial, and automotives areas.

We are looking forward to setting up business relationship with you and hope to provide you with the best service and solution. Let us make a better world for our industry!



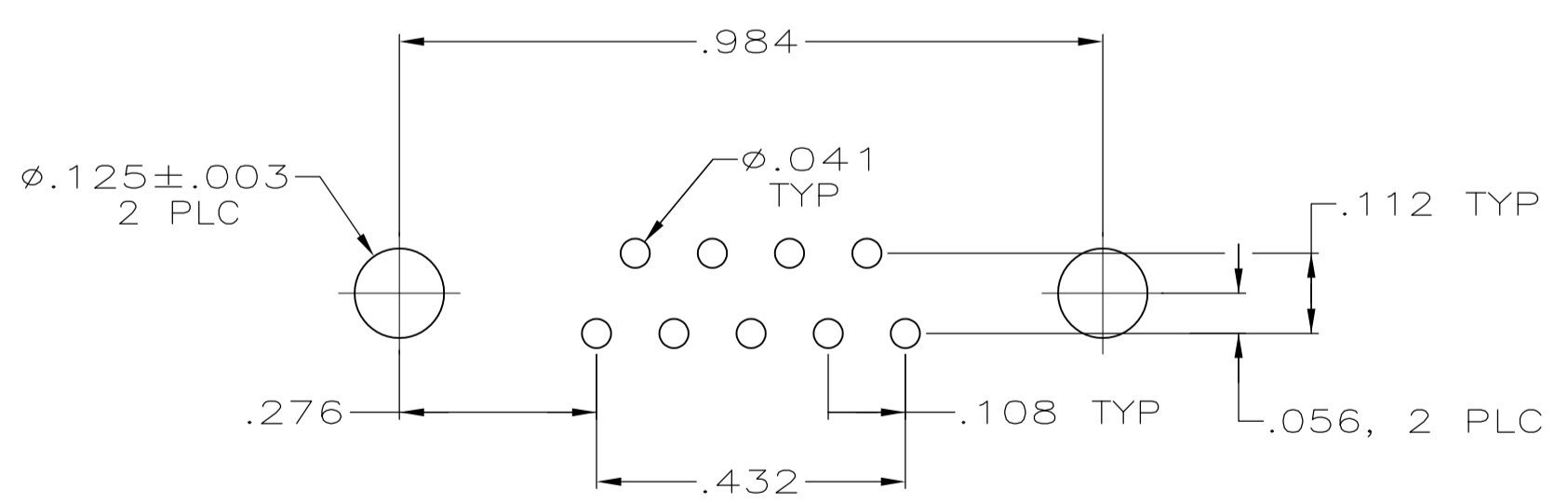
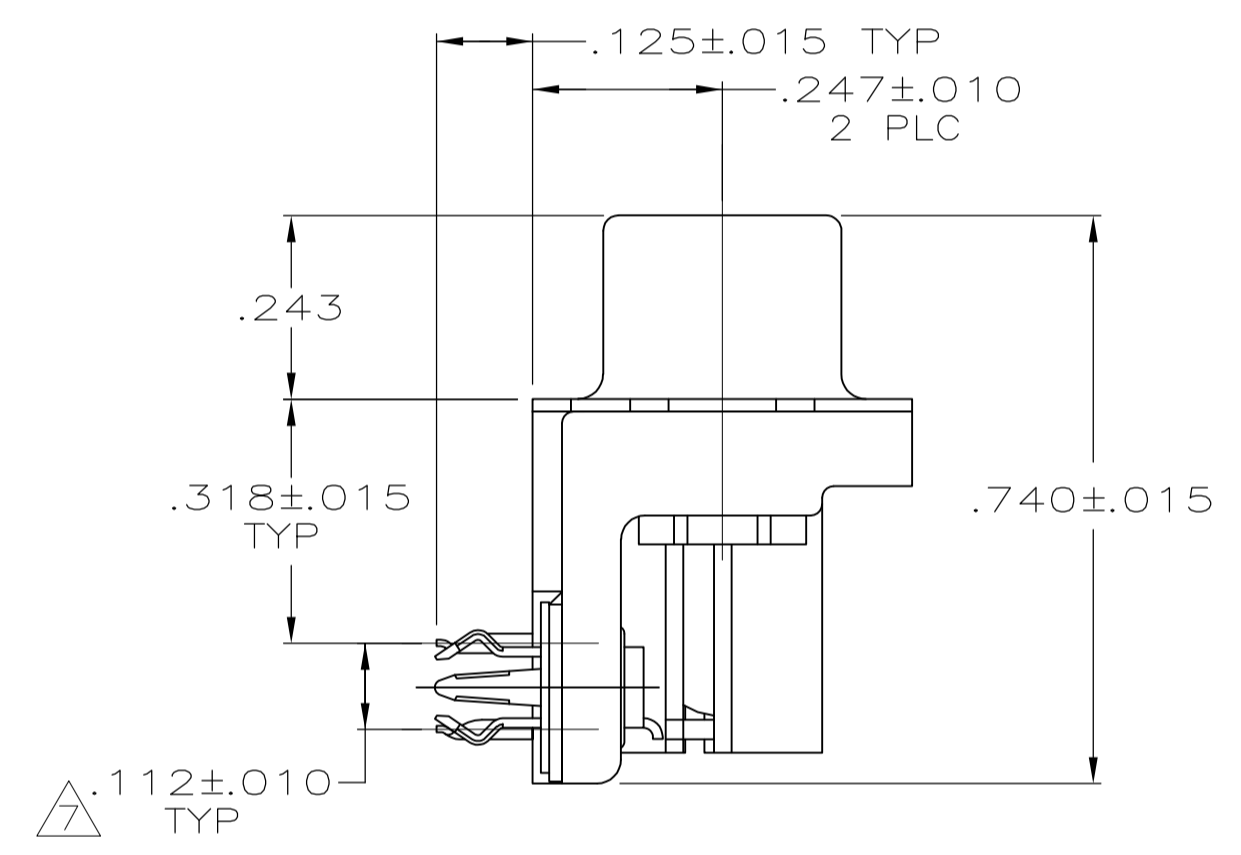
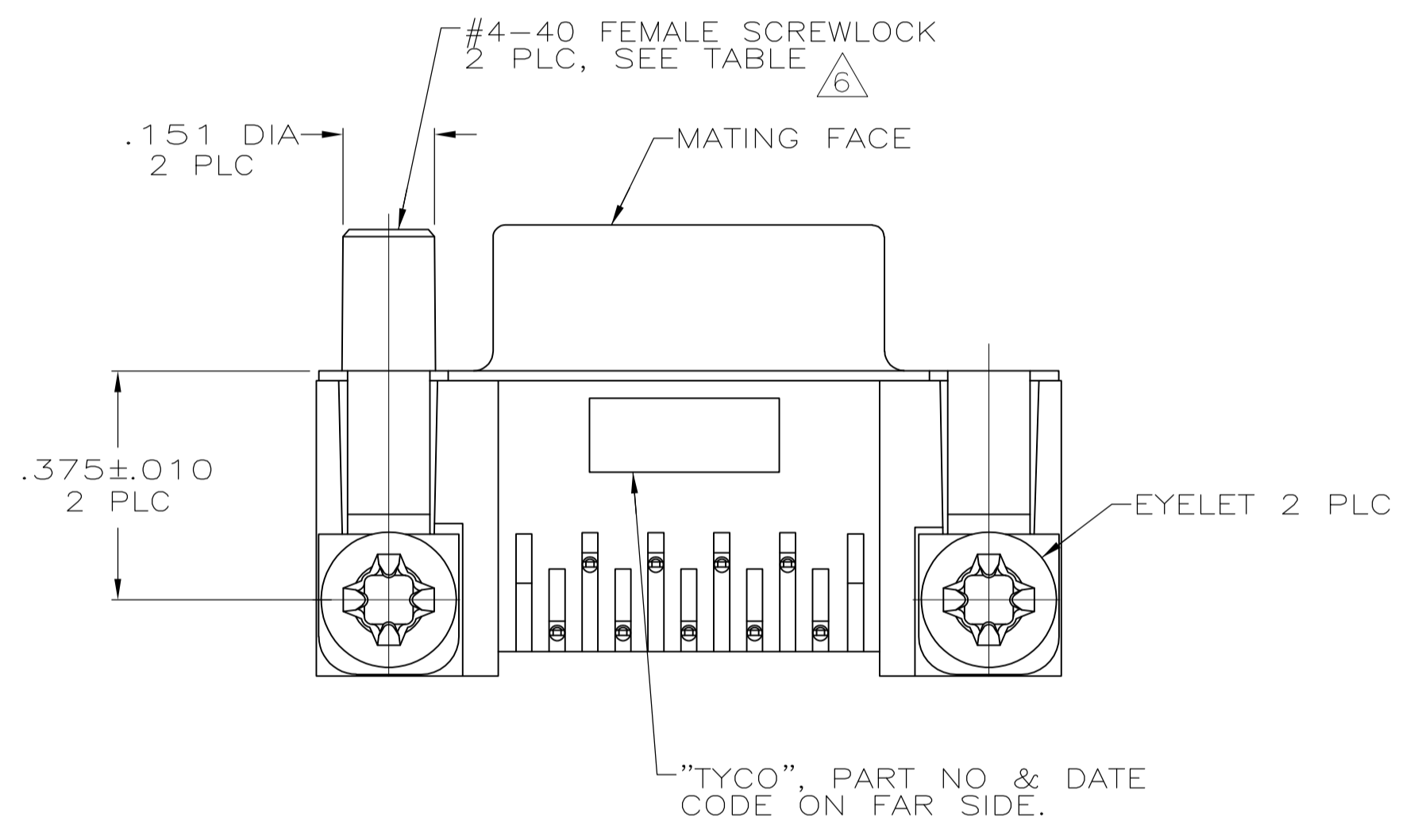
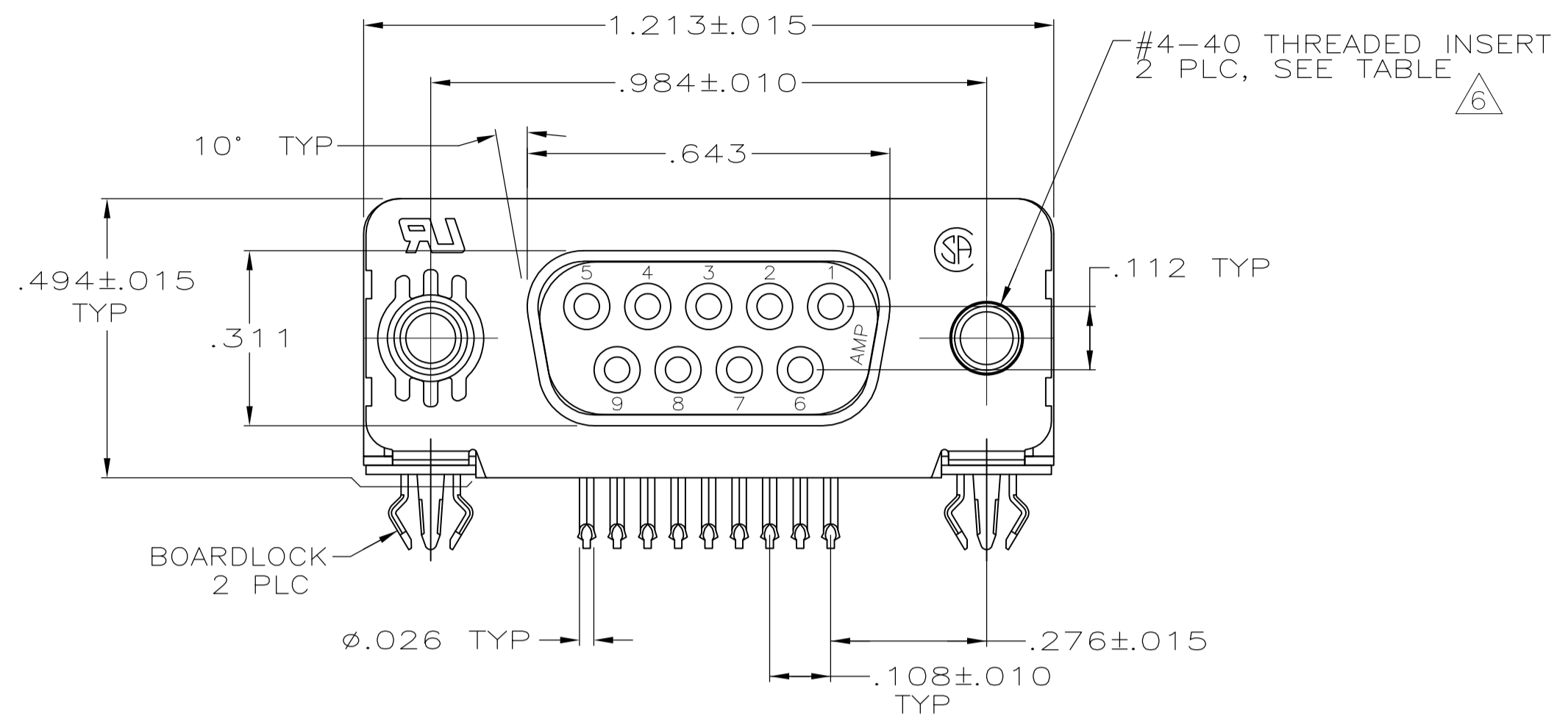
Contact us

Tel: +86-755-8981 8866 Fax: +86-755-8427 6832

Email & Skype: info@chipsmall.com Web: www.chipsmall.com

Address: A1208, Overseas Decoration Building, #122 Zhenhua RD., Futian, Shenzhen, China





PC BOARD MOUNTING DIMENSIONS

1. CONNECTOR MATES WITH ANY 9 POSN PLUG IN AMPLIMITE SERIES.
2. MOLDED PARTS: FLAME RETARDANT 94V-0 RATED THERMOPLASTIC, BLACK.
SHELL: STEEL PER ASTM A109
CONTACTS: PHOSPHOR BRONZE PER QQ-B-750
EYELETS: BRASS
SCREWLOCKS: ZINC
INSERTS: ZINC
BOARDLOCKS: COPPER ALLOY
3. SHELL: .000100 MIN TIN
CONTACTS: SEE TABLE
EYELETS: TIN
SCREWLOCKS: CLEAR CHROMATE
BOARDLOCKS: TIN.
INSERTS: CLEAR CHROMATE
4. GOLD FLASH FOR A DISTANCE OF .100 MIN FROM MATING END, .000100-.000200 TIN ON TERMINATION END, ALL OVER .000050 NICKEL ON ENTIRE CONTACT.
5. .000030 GOLD FOR A DISTANCE OF .100 MIN FROM MATING END, .000100-.000200 TIN ON TERMINATION END, ALL OVER .000050 NICKEL ON ENTIRE CONTACT.
6. SCREWLOCKS & INSERTS WILL WITHSTAND 4 IN LBS TORQUE & 20 LBS PULL OUT FORCE FROM MATING FACE SIDE.
7. DIMENSION APPLIES TO CENTER LINE OF CONTACTS.

-	FEMALE SCREWLOCKS	5	5747844-6																				
-	FEMALE SCREWLOCKS	4	5747844-5																				
TRAY	THREADED INSERTS	5	5747844-4																				
-	THREADED INSERTS	4	5747844-3																				
-	.125 DIA HOLES	5	5747844-2																				
PACKAGING	MOUNTING HARDWARE	CONTACT FINISH	PART NUMBER																				
THIS DRAWING IS A CONTROLLED DOCUMENT.		<table border="1"> <tr> <td>DIN</td> <td>18MAR05</td> <td>TE Connectivity</td> </tr> <tr> <td>CHK</td> <td>18MAR205</td> <td></td> </tr> <tr> <td>APVD</td> <td>18MAR205</td> <td></td> </tr> </table>		DIN	18MAR05	TE Connectivity	CHK	18MAR205		APVD	18MAR205												
DIN	18MAR05	TE Connectivity																					
CHK	18MAR205																						
APVD	18MAR205																						
DIMENSIONS: INCHES		<table border="1"> <tr> <td>TOLERANCES UNLESS OTHERWISE SPECIFIED:</td> <td>NAME</td> </tr> <tr> <td>0 PLC ± -</td> <td>M. WALMSLEY</td> </tr> <tr> <td>1 PLC ± -</td> <td>PRODUCT SPEC</td> </tr> <tr> <td>2 PLC ± -</td> <td>108-40025</td> </tr> <tr> <td>3 PLC ± .005</td> <td>APPLICATION SPEC</td> </tr> <tr> <td>4 PLC ± -</td> <td>114-40010</td> </tr> <tr> <td>ANGLES ± -</td> <td>SIZE</td> </tr> <tr> <td></td> <td>CAGE CODE</td> </tr> <tr> <td></td> <td>DRAWING NO</td> </tr> <tr> <td></td> <td>RESTRICTED TO</td> </tr> </table>		TOLERANCES UNLESS OTHERWISE SPECIFIED:	NAME	0 PLC ± -	M. WALMSLEY	1 PLC ± -	PRODUCT SPEC	2 PLC ± -	108-40025	3 PLC ± .005	APPLICATION SPEC	4 PLC ± -	114-40010	ANGLES ± -	SIZE		CAGE CODE		DRAWING NO		RESTRICTED TO
TOLERANCES UNLESS OTHERWISE SPECIFIED:	NAME																						
0 PLC ± -	M. WALMSLEY																						
1 PLC ± -	PRODUCT SPEC																						
2 PLC ± -	108-40025																						
3 PLC ± .005	APPLICATION SPEC																						
4 PLC ± -	114-40010																						
ANGLES ± -	SIZE																						
	CAGE CODE																						
	DRAWING NO																						
	RESTRICTED TO																						
MATERIAL		<table border="1"> <tr> <td>WEIGHT</td> <td>SCALE</td> <td>SHEET</td> <td>REV</td> </tr> <tr> <td>-</td> <td>4:1</td> <td>1 of 1</td> <td>P</td> </tr> </table>		WEIGHT	SCALE	SHEET	REV	-	4:1	1 of 1	P												
WEIGHT	SCALE	SHEET	REV																				
-	4:1	1 of 1	P																				
FINISH		CUSTOMER DRAWING																					