



Chipsmall Limited consists of a professional team with an average of over 10 year of expertise in the distribution of electronic components. Based in Hongkong, we have already established firm and mutual-benefit business relationships with customers from,Europe,America and south Asia,supplying obsolete and hard-to-find components to meet their specific needs.

With the principle of “Quality Parts,Customers Priority,Honest Operation,and Considerate Service”,our business mainly focus on the distribution of electronic components. Line cards we deal with include Microchip,ALPS,ROHM,Xilinx,Pulse,ON,Everlight and Freescale. Main products comprise IC,Modules,Potentiometer,IC Socket,Relay,Connector.Our parts cover such applications as commercial,industrial, and automotives areas.

We are looking forward to setting up business relationship with you and hope to provide you with the best service and solution. Let us make a better world for our industry!



Contact us

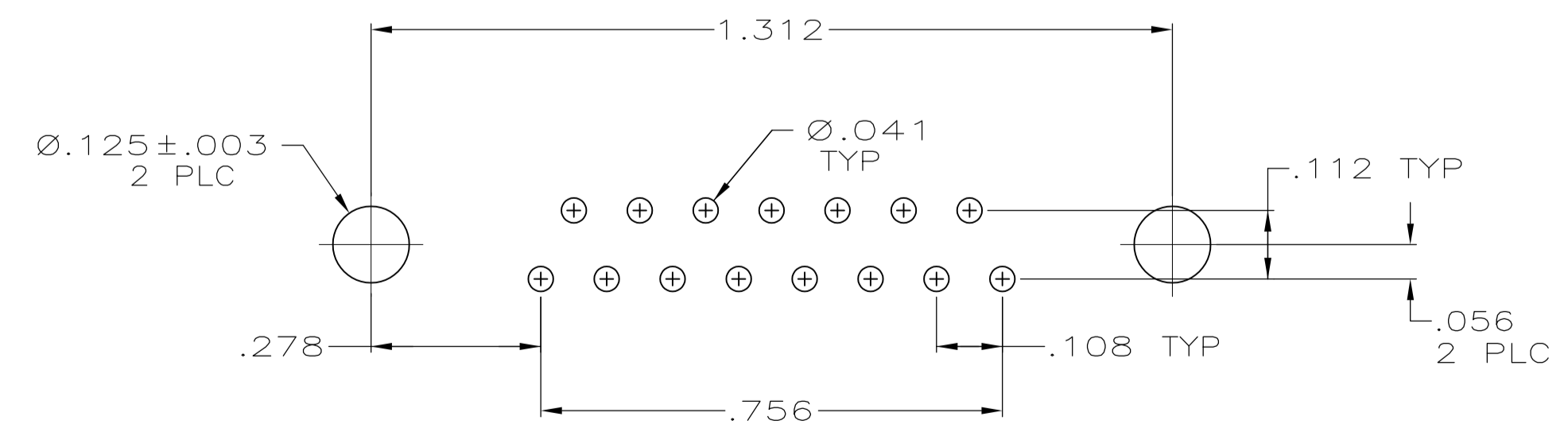
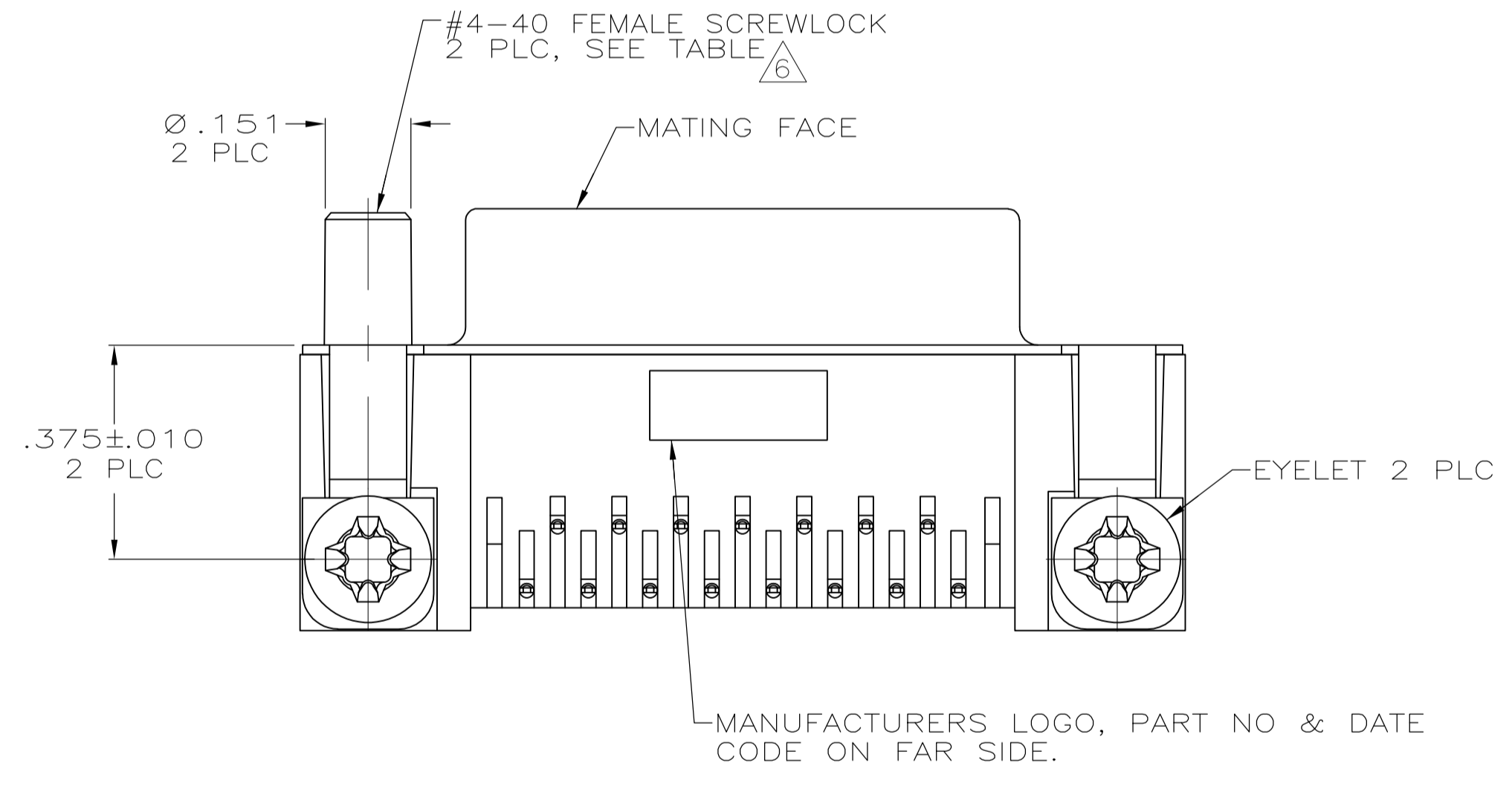
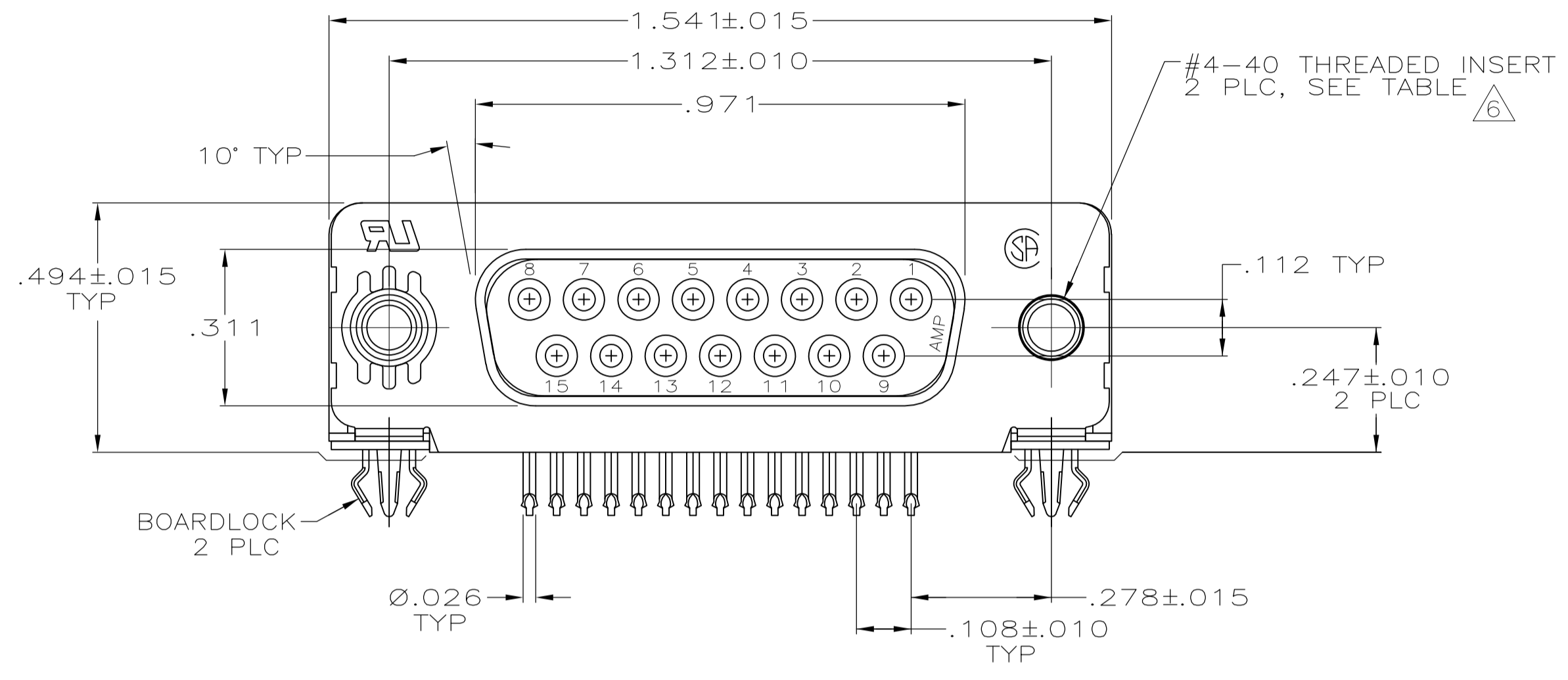
Tel: +86-755-8981 8866 Fax: +86-755-8427 6832

Email & Skype: info@chipsmall.com Web: www.chipsmall.com

Address: A1208, Overseas Decoration Building, #122 Zhenhua RD., Futian, Shenzhen, China



LOC		DIST		REVISIONS			
P	LTR	DATE	DESCRIPTION	DATE	DMN	APVD	
A2	REVISED PER ECO-11-004835	11MAR11			RK	HMR	



PC BOARD MOUNTING DIMENSIONS

1. CONNECTOR MATES WITH ANY 25 POSN PLUG IN AMPLIMITE SERIES.
2. MOLDED PARTS: FLAME RETARDANT 94V-0 RATED THERMOPLASTIC, BLACK. SHELL: CARBON STEEL. CONTACTS: PHOSPHOR BRONZE. EYELETS: BRASS. SCREWLOCKS: ZINC. INSERTS: ZINC. BOARDLOCKS: COPPER ALLOY.
3. SHELL: .000100 MIN TIN OVER .000050 MIN COPPER. CONTACTS: SEE TABLE. EYELETS: .000100 MIN TIN OVER COPPER FLASH. BOARDLOCKS: .000150 MIN TIN OVER .000050 MIN NICKEL. INSERTS AND SCREWLOCKS: CLEAR CHROMATE.
4. GOLD FLASH FOR A DISTANCE OF .100 MIN FROM MATING END, .000100 MIN TIN ON TERMINATION END, ALL OVER .000050 MIN NICKEL ON ENTIRE CONTACT.
5. .000030 GOLD FOR A DISTANCE OF .100 MIN FROM MATING END, .000100 MIN TIN ON TERMINATION END, ALL OVER .000050 MIN NICKEL ON ENTIRE CONTACT.
6. SCREWLOCKS & INSERTS WILL WITHSTAND 6 IN-LBS TORQUE & 20 LBS PULL OUT FORCE FROM MATING FACE SIDE.
7. DIMENSION APPLIES FROM CENTER OF CONTACTS.
8. SPECIAL PACKAGING REQUIRED.
9. OBSOLETE PARTS: OBSOLETE CIS STREAMLINING PER D.RENAUD/D.SINISI

OBSOLETE	THREADED INSERTS	5	1-5747845-1
	FEMALE SCREWLOCKS	5	5747845-6
	FEMALE SCREWLOCKS	4	5747845-5
	THREADED INSERTS	5	5747845-4
OBSOLETE	THREADED INSERTS	4	5747845-3
	.125 DIA HOLES	5	5747845-2
MOUNTING HARDWARE		CONTACT FINISH	PART NUMBER

THIS DRAWING IS A CONTROLLED DOCUMENT.

DIMENSIONS: INCHES	TOLERANCES UNLESS OTHERWISE SPECIFIED:	DIN L VARELA - DOCKS 04-05-05	STE TE Connectivity
0 PLC ± -	1 PLC ± -	APVD S BOLASH 04-05-05	NAME M WALMSLEY
2 PLC ± -	3 PLC ± .005	SIZE 114-40010	PRODUCT SPEC 108-40025
4 PLC ± -	ANGLES ± °	WEIGHT -	APPLICATION SPEC
MATERIAL	FINISH	SIZE 114-40010	RESTRICTED TO
		WEIGHT -	SIZE CAGE CODE DRAWING NO
		CUSTOMER DRAWING	A1 00779 5747845

RECEPTACLE ASSEMBLY, SIZE 2, 15 POSITION, RIGHT ANGLE, FRONT METAL SHELL, .318 SERIES, .026 DIA POSTS, BOARDLOCKS, AMPLIMITE HD-20

SCALE 4:1 SHEET 1 OF 1 REV A2