



Chipsmall Limited consists of a professional team with an average of over 10 year of expertise in the distribution of electronic components. Based in Hongkong, we have already established firm and mutual-benefit business relationships with customers from,Europe,America and south Asia,supplying obsolete and hard-to-find components to meet their specific needs.

With the principle of “Quality Parts,Customers Priority,Honest Operation,and Considerate Service”,our business mainly focus on the distribution of electronic components. Line cards we deal with include Microchip,ALPS,ROHM,Xilinx,Pulse,ON,Everlight and Freescale. Main products comprise IC,Modules,Potentiometer,IC Socket,Relay,Connector.Our parts cover such applications as commercial,industrial, and automotives areas.

We are looking forward to setting up business relationship with you and hope to provide you with the best service and solution. Let us make a better world for our industry!



Contact us

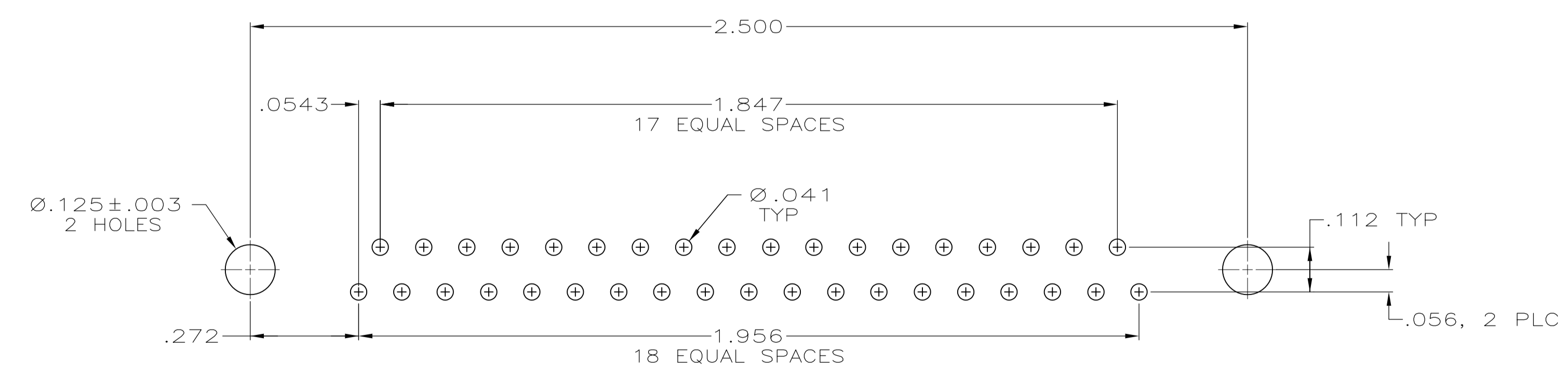
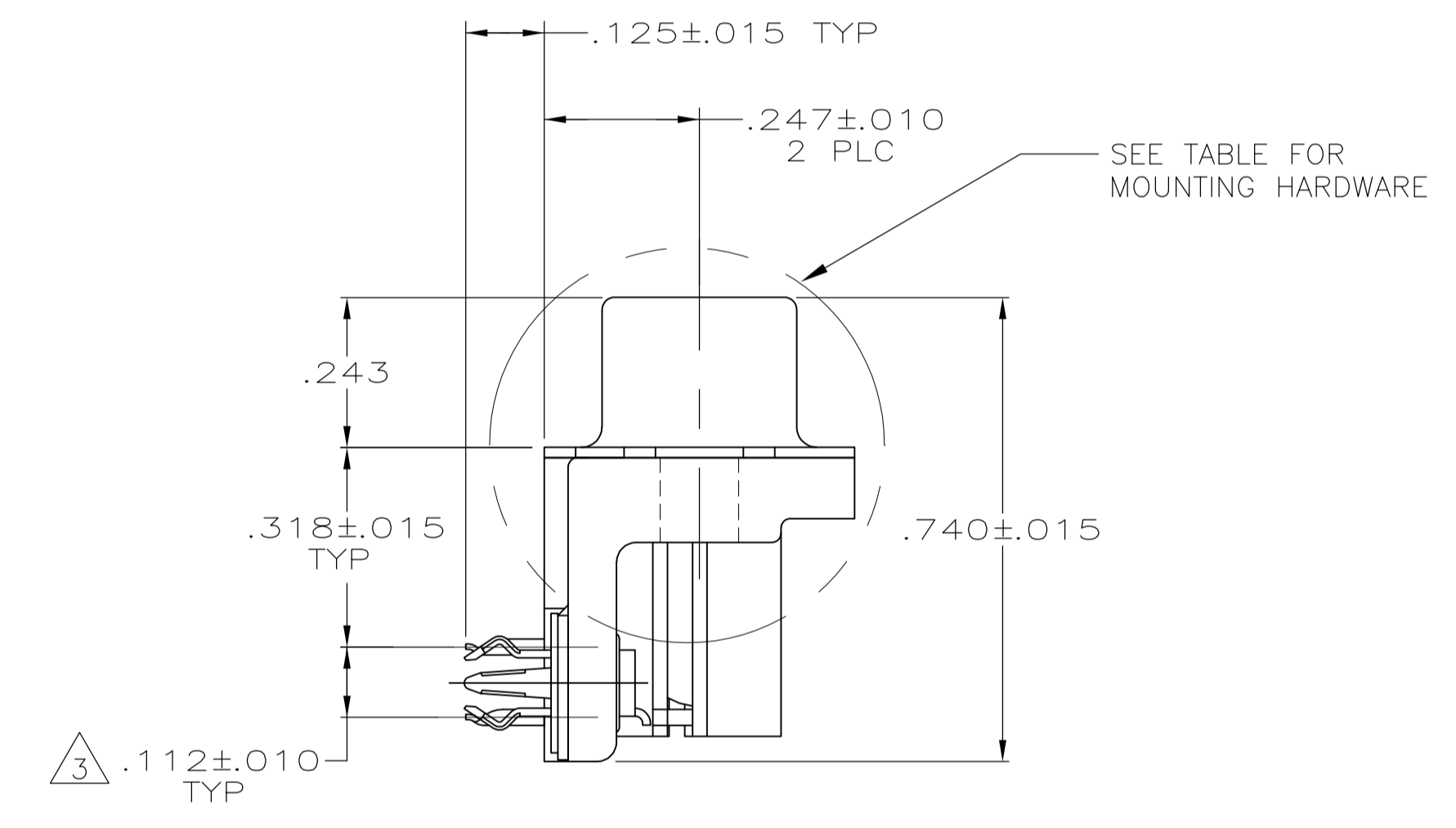
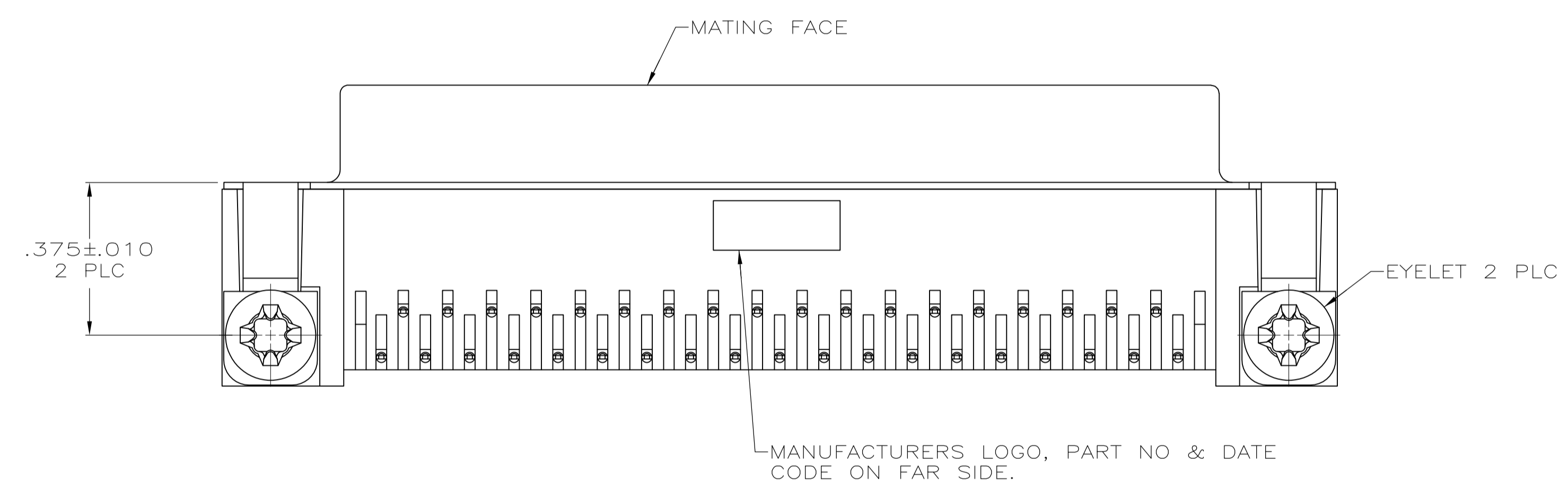
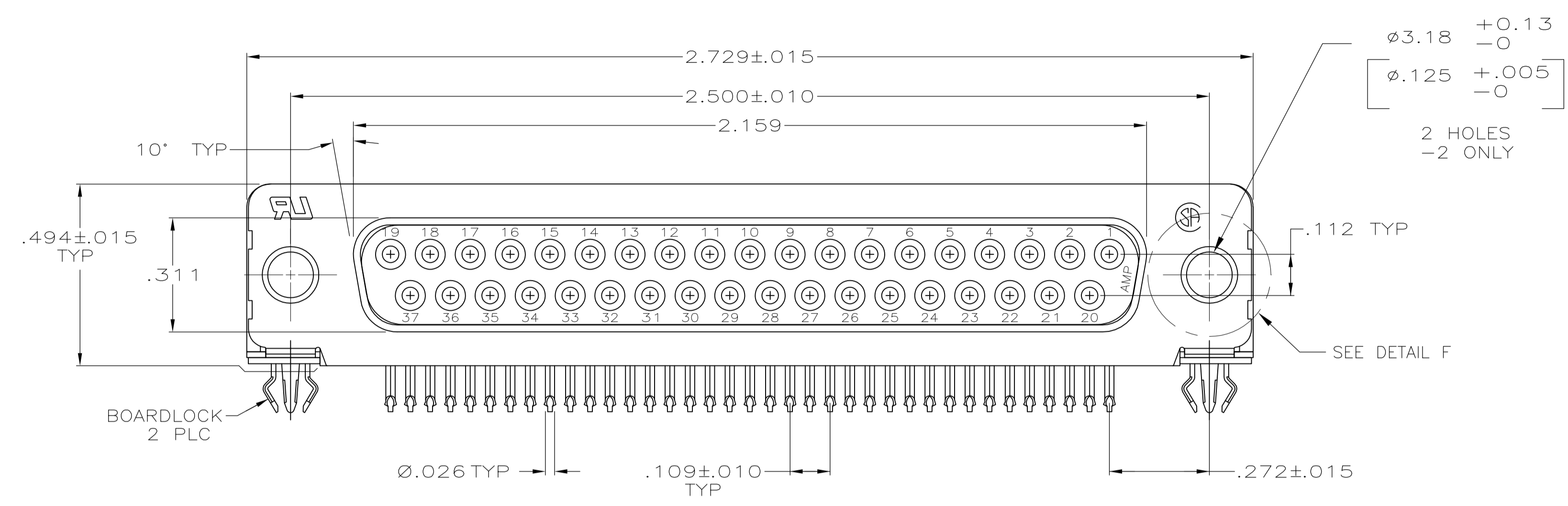
Tel: +86-755-8981 8866 Fax: +86-755-8427 6832

Email & Skype: info@chipsmall.com Web: www.chipsmall.com

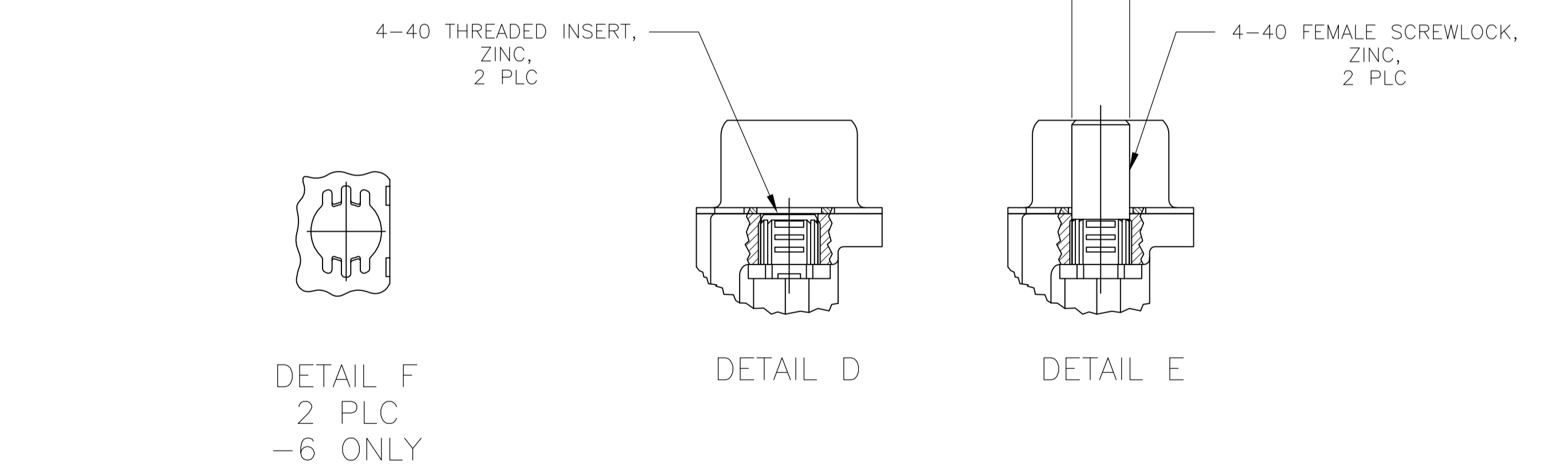
Address: A1208, Overseas Decoration Building, #122 Zhenhua RD., Futian, Shenzhen, China



LOC		DIST		REVISIONS			
GP	00	REV	DATE	BY	CHK	APPV	
A1	REVISED PER ECO-11-004835		11MAR11	RK	HMR		



RECOMMENDED P.C. BOARD MOUNTING DIMENSIONS



- 1 MOLDED PARTS: FLAME RETARDANT 94V-0 RATED THERMOPLASTIC, BLACK.
SHELL: CARBON STEEL
CONTACTS: PHOSPHOR BRONZE
EYELETS: BRASS
INSERTS AND SCREWLOCKS: ZINC
BOARDLOCKS: COPPER ALLOY
- 2 SHELL: .000100 MIN TIN OVER .000050 MIN COPPER.
CONTACTS: .000030 MIN GOLD FOR DISTANCE OF .100 MIN FROM MATING END, .000100 MIN TIN ON TERMINATION END, ALL OVER .000050 MIN NICKEL ON ENTIRE CONTACT.
EYELETS: .000100 MIN TIN OVER COPPER FLASH.
BOARDLOCKS: .000150 MIN TIN OVER .000050 MIN NICKEL.
INSERTS AND SCREWLOCKS: CLEAR CHROMATE
- 3 DIMENSION APPLIES FROM CENTER OF CONTACTS.

SEE DETAIL E	5747847-6
SEE DETAIL D	5747847-4
NONE	5747847-2
MOUNTING HARDWARE	PART NUMBER

THIS DRAWING IS A CONTROLLED DOCUMENT.

DIMENSIONS: INCHES	TOLERANCES UNLESS OTHERWISE SPECIFIED:	DIN L. VARELA - DOCKS 04-06-05	CHK S. BOLASH 04-06-05	APVD M. WALMSLEY 04-06-05	NAME RECEPTACLE ASSEMBLY, SIZE 4, 37 POSITION, RIGHT ANGLE, FRONT METAL SHELL, .318 SERIES, .026 DIA POSTS, BOARDLOCKS, AMPLIMITE HD-20
0 PLC ± -	1 PLC ± -	2 PLC ± -	3 PLC ± -.005	4 PLC ANGLES ± .2	PRODUCT SPEC 108-40025
MATERIAL	FINISH	SIZE 114-40010	WEIGHT	CAGE CODE DRAWING NO A1 00779	RESTRICTED TO
1	2	SCALE 4:1	SHEET 1 OF 1	REV A1	

CUSTOMER DRAWING