



Chipsmall Limited consists of a professional team with an average of over 10 year of expertise in the distribution of electronic components. Based in Hongkong, we have already established firm and mutual-benefit business relationships with customers from,Europe,America and south Asia,supplying obsolete and hard-to-find components to meet their specific needs.

With the principle of “Quality Parts,Customers Priority,Honest Operation,and Considerate Service”,our business mainly focus on the distribution of electronic components. Line cards we deal with include Microchip,ALPS,ROHM,Xilinx,Pulse,ON,Everlight and Freescale. Main products comprise IC,Modules,Potentiometer,IC Socket,Relay,Connector.Our parts cover such applications as commercial,industrial, and automotives areas.

We are looking forward to setting up business relationship with you and hope to provide you with the best service and solution. Let us make a better world for our industry!



## Contact us

Tel: +86-755-8981 8866 Fax: +86-755-8427 6832

Email & Skype: info@chipsmall.com Web: www.chipsmall.com

Address: A1208, Overseas Decoration Building, #122 Zhenhua RD., Futian, Shenzhen, China



4

3

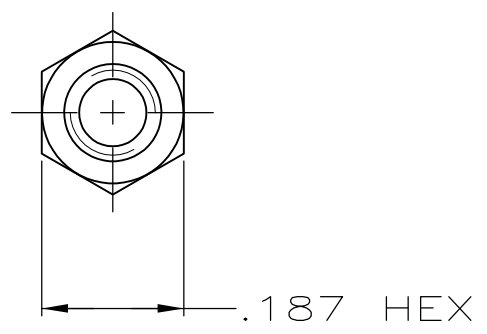
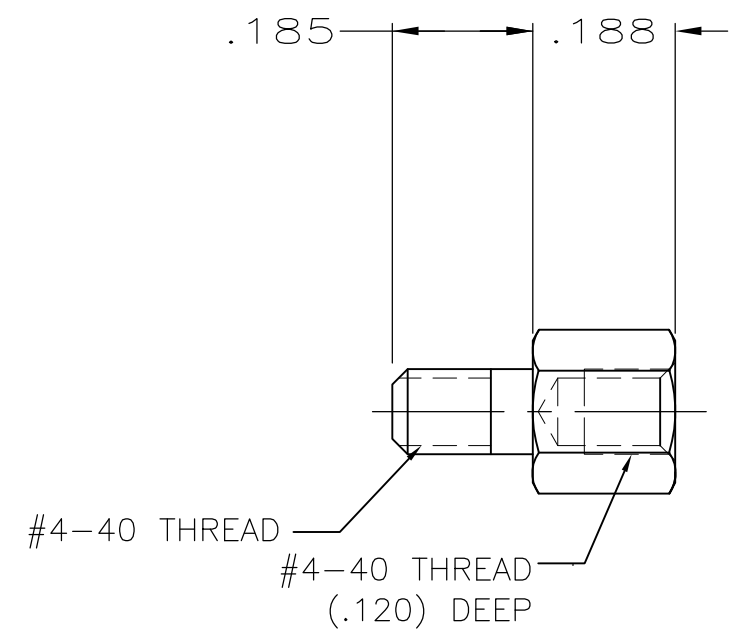
2

1

THIS DRAWING IS UNPUBLISHED.      RELEASED FOR PUBLICATION      - , - .  
 © COPYRIGHT - By -      ALL RIGHTS RESERVED.

LOC	DIST	REVISIONS					
GP	00	P	LTR	DESCRIPTION	DATE	DWN	APVD
		P		REVISED PER ECO-11-004835	11MAR11	RK	HMR

△ 1 ZINC PLATED .000200-.000400 THICK CLEAR CHROMATE COATING.



5747877-3  
 PART NUMBER

THIS DRAWING IS A CONTROLLED DOCUMENT.		DWN R.RICHARDSON 17JUN05	<b>TE Connectivity</b>									
DIMENSIONS: INCHES		CHK C.ROHDE 17JUN05					NAME SCREWLOCK, FEMALE, SPECIAL, AMPLIMITE					
		TOLERANCES UNLESS OTHERWISE SPECIFIED:		APVD M.WALMSLEY 17JUN05		PRODUCT SPEC -						
		0 PLC ± - 1 PLC ± - 2 PLC ± - 3 PLC ± .005 4 PLC ± - ANGLES ± -		APPLICATION SPEC -		RESTRICTED TO -						
MATERIAL STEEL PER ASTM A108		FINISH △ 1		WEIGHT -		SIZE A3	CAGE CODE 00779	DRAWING NO C-5747877	SCALE 4:1		SHEET 1 OF 1	REV P
CUSTOMER DRAWING				SCALE 4:1		SHEET 1 OF 1		REV P				