



Chipsmall Limited consists of a professional team with an average of over 10 year of expertise in the distribution of electronic components. Based in Hongkong, we have already established firm and mutual-benefit business relationships with customers from,Europe,America and south Asia,supplying obsolete and hard-to-find components to meet their specific needs.

With the principle of “Quality Parts,Customers Priority,Honest Operation,and Considerate Service”,our business mainly focus on the distribution of electronic components. Line cards we deal with include Microchip,ALPS,ROHM,Xilinx,Pulse,ON,Everlight and Freescale. Main products comprise IC,Modules,Potentiometer,IC Socket,Relay,Connector.Our parts cover such applications as commercial,industrial, and automotives areas.

We are looking forward to setting up business relationship with you and hope to provide you with the best service and solution. Let us make a better world for our industry!



Contact us

Tel: +86-755-8981 8866 Fax: +86-755-8427 6832

Email & Skype: info@chipsmall.com Web: www.chipsmall.com

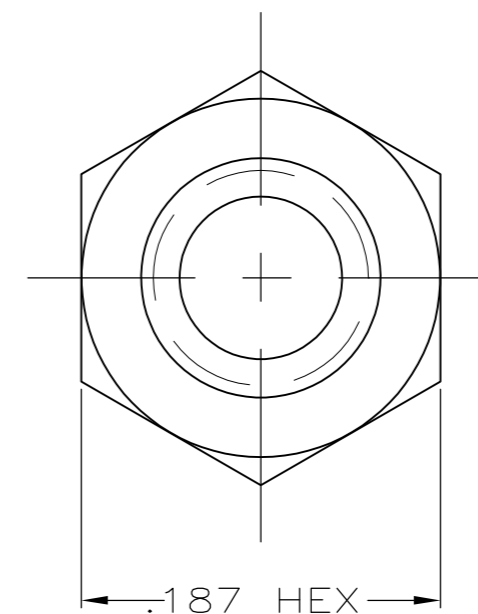
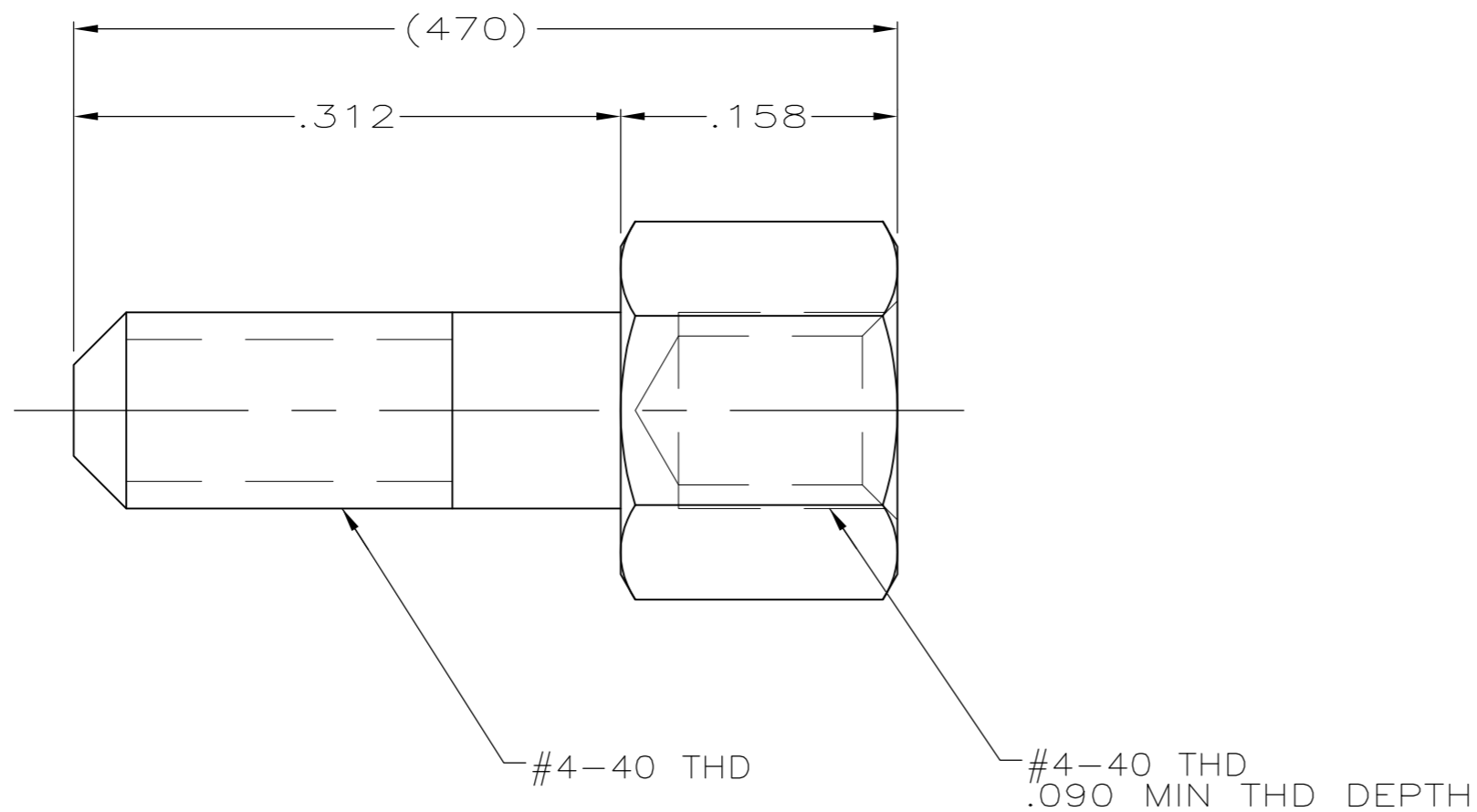
Address: A1208, Overseas Decoration Building, #122 Zhenhua RD., Futian, Shenzhen, China



THIS DRAWING IS UNPUBLISHED. RELEASED FOR PUBLICATION
 © COPYRIGHT - By - ALL RIGHTS RESERVED.

LOC	DIST	REVISIONS			
P	LTR	DESCRIPTION	DATE	DWN	APVD
GP	00				
P		REVISED PER ECO-11-004835	11MAR11	RK	HMR

- △1 COLD ROLLED STEEL PER ASTM A108.
- △2 ZINC PLATED .000200-.000400 THICK, YELLOW CHROMATE COATING.



5748270-2
 PART NUMBER

THIS DRAWING IS A CONTROLLED DOCUMENT.		DWN R.RICHARDSON 17JUN05	TE Connectivity SCREWLOCK, FEMALE, SHORT HEAD, .090 PANEL, AMPLIMITE		
DIMENSIONS: INCHES		CHK C.ROHDE 17JUN05			NAME
TOLERANCES UNLESS OTHERWISE SPECIFIED:		APVD M. WALMSLEY 17JUN05			PRODUCT SPEC
0 PLC ± - 1 PLC ± - 2 PLC ± - 3 PLC ± .005 4 PLC ± - ANGLES ± -		APPLICATION SPEC			SIZE
MATERIAL		FINISH	WEIGHT	SCALE	
△1		△2	-	A2 00779 C-5748270	
CUSTOMER DRAWING			RESTRICTED TO	REV P	