



Chipsmall Limited consists of a professional team with an average of over 10 year of expertise in the distribution of electronic components. Based in Hongkong, we have already established firm and mutual-benefit business relationships with customers from,Europe,America and south Asia,supplying obsolete and hard-to-find components to meet their specific needs.

With the principle of "Quality Parts,Customers Priority,Honest Operation,and Considerate Service",our business mainly focus on the distribution of electronic components. Line cards we deal with include Microchip,ALPS,ROHM,Xilinx,Pulse,ON,Everlight and Freescale. Main products comprise IC,Modules,Potentiometer,IC Socket,Relay,Connector.Our parts cover such applications as commercial,industrial, and automotives areas.

We are looking forward to setting up business relationship with you and hope to provide you with the best service and solution. Let us make a better world for our industry!



## Contact us

Tel: +86-755-8981 8866 Fax: +86-755-8427 6832

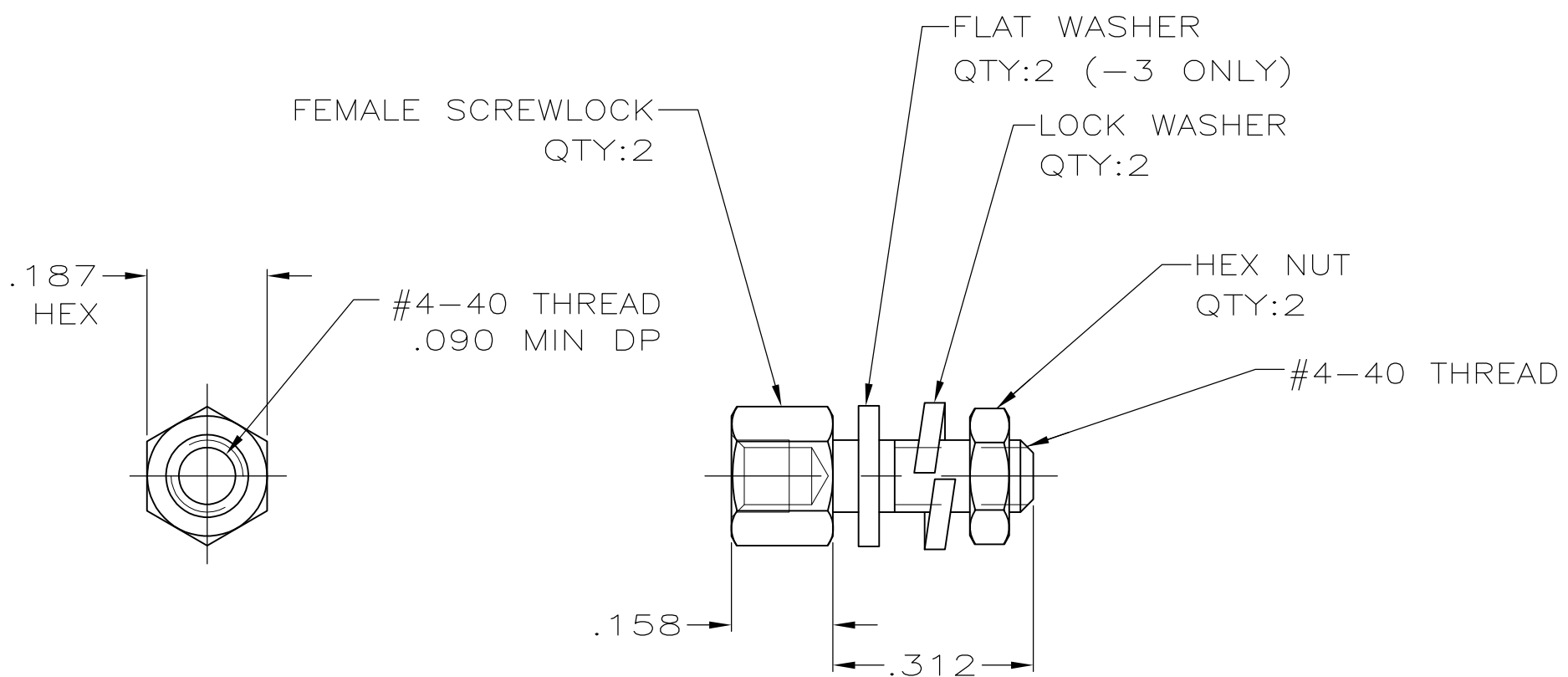
Email & Skype: info@chipsmall.com Web: www.chipsmall.com

Address: A1208, Overseas Decoration Building, #122 Zhenhua RD., Futian, Shenzhen, China



THIS DRAWING IS UNPUBLISHED. RELEASED FOR PUBLICATION  
 © COPYRIGHT - By - ALL RIGHTS RESERVED.

LOC	DIST	REVISIONS					
P	LTR	DESCRIPTION	DATE	DWN	APVD		
GP	00	P		REVISED PER ECO-11-004835	11MAR11	RK	HMR



- PARTS PACKAGED UNASSEMBLED.
  - PARTS PACKAGED AS A UNIT KIT.
- 3** ZINC PLATING .000200-.000400 THICK, YELLOW CHROMATE COATING.

W/ FLAT WASHER	5748271-3
W/O FLAT WASHER	5748271-1
REMARKS	PART NUMBER

THIS DRAWING IS A CONTROLLED DOCUMENT.		DWN	S.WAITMAN	12JUL05	<b>TE Connectivity</b>						
DIMENSIONS: INCHES		CHK	C.ROHDE	12JUL05				NAME FEMALE SCREWLOCK KIT, SHORT HEAD, .090 PANEL, AMPLIMITE			
		APVD	M.WALMSLEY	12JUL05							PRODUCT SPEC APPLICATION SPEC
TOLERANCES UNLESS OTHERWISE SPECIFIED: 0 PLC ± - 1 PLC ± - 2 PLC ± - 3 PLC ± .005 4 PLC ± - ANGLES ± -		MATERIAL						SIZE	CAGE CODE	DRAWING NO	
STEEL		FINISH			A300779			C-5748271	SCALE	SHEET	REV
					CUSTOMER DRAWING			4:1	1 OF 1	P	