



Chipsmall Limited consists of a professional team with an average of over 10 year of expertise in the distribution of electronic components. Based in Hongkong, we have already established firm and mutual-benefit business relationships with customers from,Europe,America and south Asia,supplying obsolete and hard-to-find components to meet their specific needs.

With the principle of "Quality Parts,Customers Priority,Honest Operation,and Considerate Service",our business mainly focus on the distribution of electronic components. Line cards we deal with include Microchip,ALPS,ROHM,Xilinx,Pulse,ON,Everlight and Freescale. Main products comprise IC,Modules,Potentiometer,IC Socket,Relay,Connector.Our parts cover such applications as commercial,industrial, and automotives areas.

We are looking forward to setting up business relationship with you and hope to provide you with the best service and solution. Let us make a better world for our industry!



Contact us

Tel: +86-755-8981 8866 Fax: +86-755-8427 6832

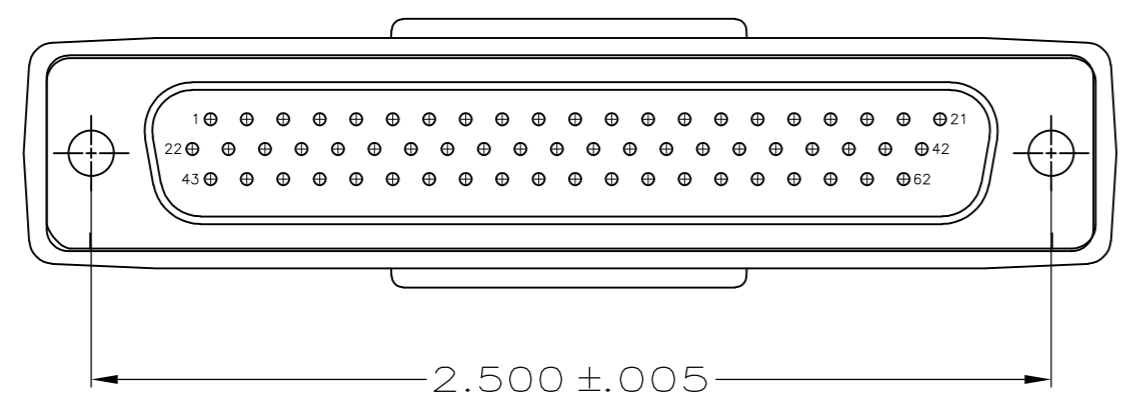
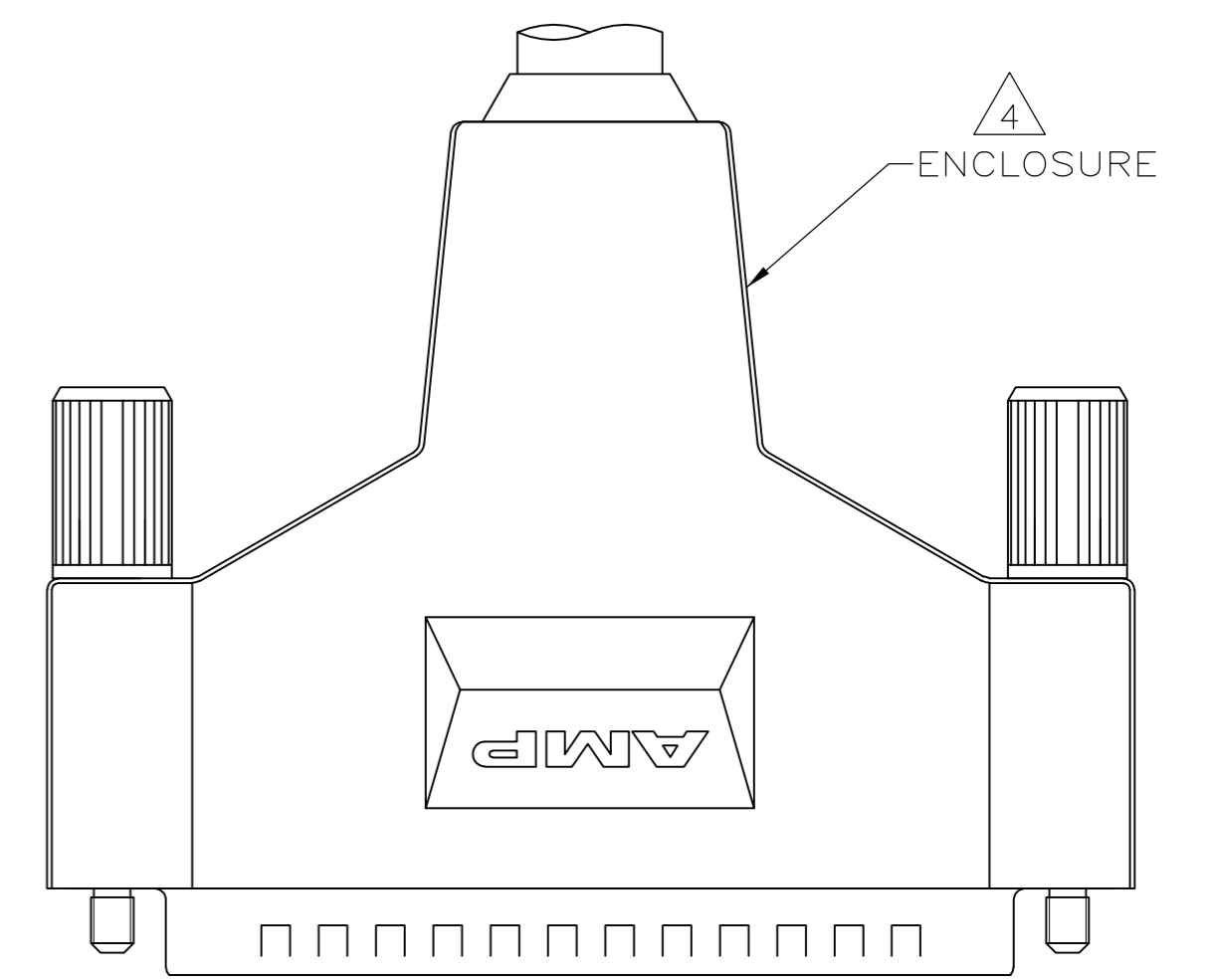
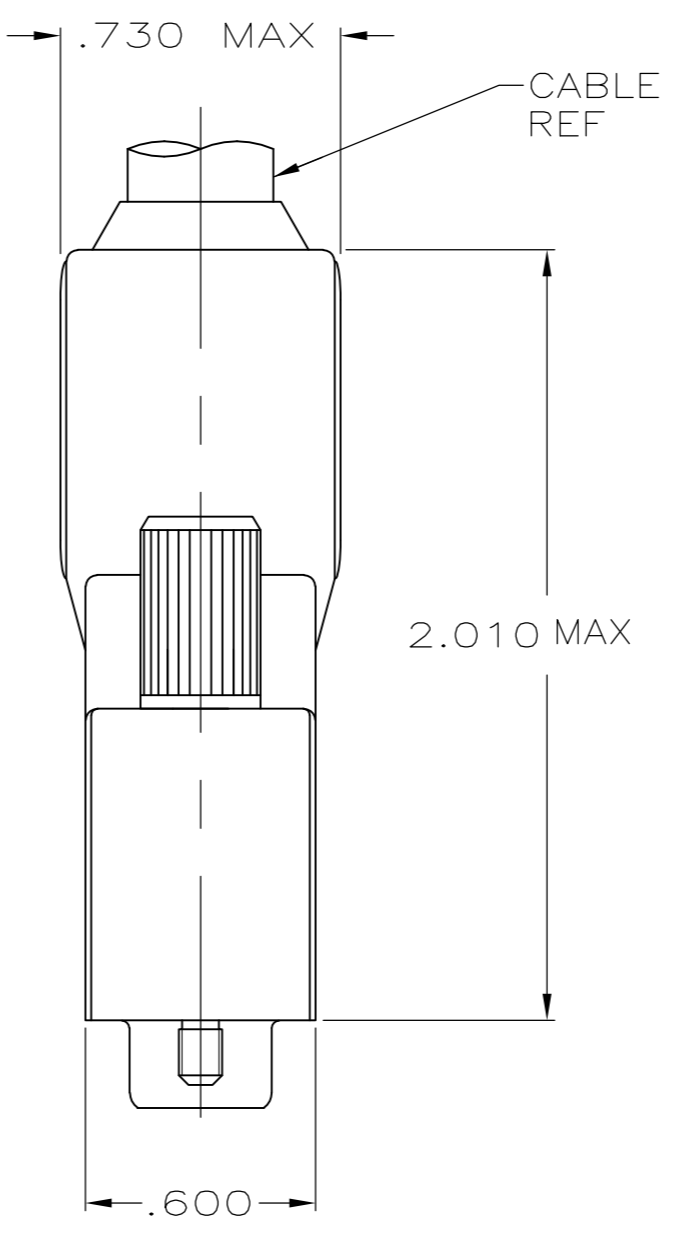
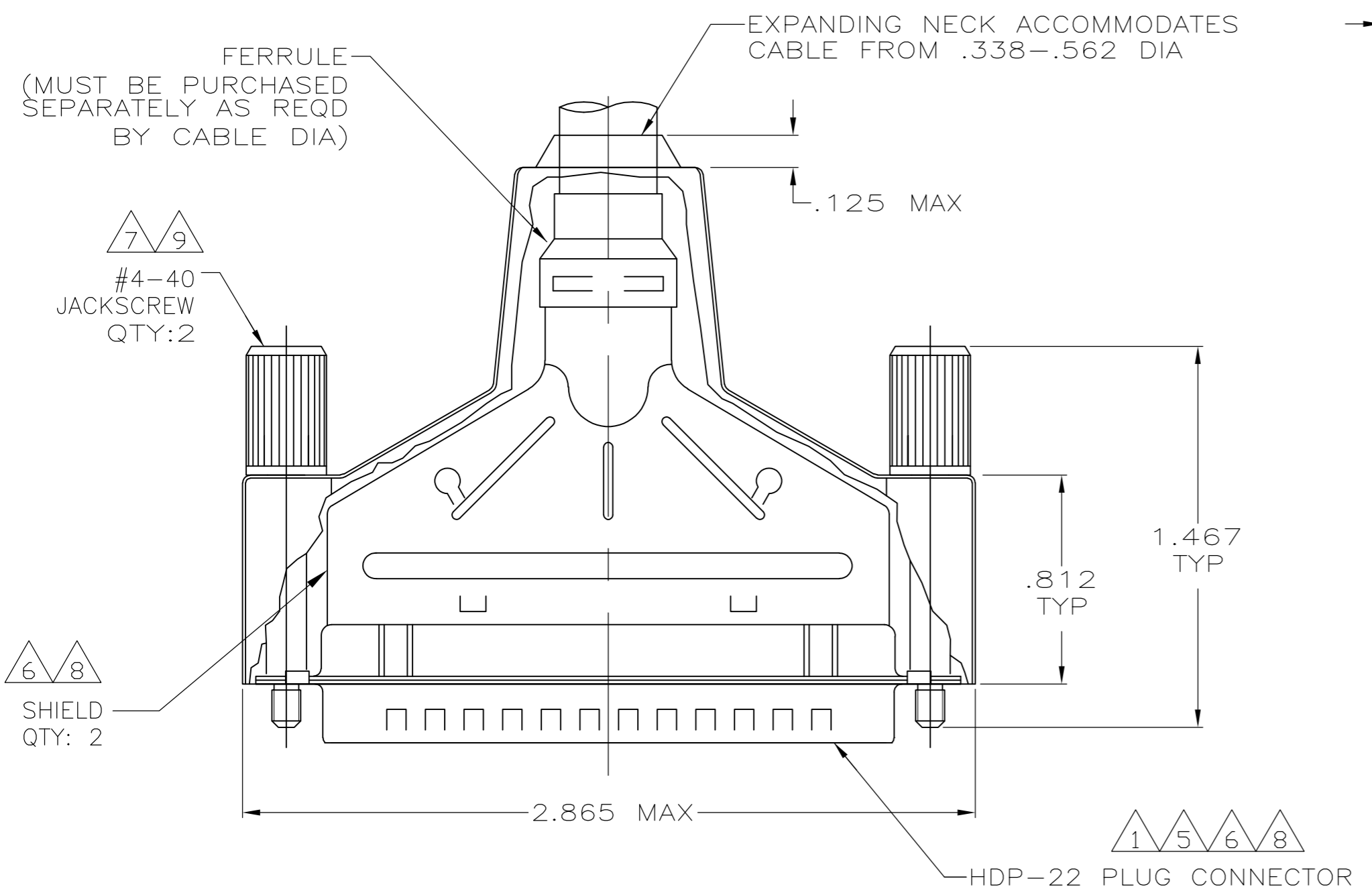
Email & Skype: info@chipsmall.com Web: www.chipsmall.com

Address: A1208, Overseas Decoration Building, #122 Zhenhua RD., Futian, Shenzhen, China



THIS DRAWING IS UNPUBLISHED. RELEASED FOR PUBLICATION
 © COPYRIGHT - By - ALL RIGHTS RESERVED.

LOC		DIST		REVISIONS			
P	LTR	DESCRIPTION		DATE	DWN	APVD	
GP	00	D		REVISED PER ECO-11-019152	25OCT2011	CJV/CWR	



- ① PLUG ACCEPTS SIZE 22 DF PIN CONTACTS PURCHASED SEPARATELY.
- 2. ALL PARTS SHIPPED UNASSEMBLED.
- ③ COMPONENTS INDIVIDUALLY BULK PACKAGED.
- ④ ELASTOMER, STYRENE POLYOLEFIN, OR PVC, BLACK.
- ⑤ FLAME RETARDANT, 94V-0 RATED, GLASS FILLED, NYLON, BLACK.
- ⑥ CARBON STEEL PER ASTM A109.
- ⑦ ZINC ALLOY.
- ⑧ .000200 MIN TIN PLATE OVER .000100 MIN COPPER UNDERPLATE.
- ⑨ ELECTRODEPOSITED POLYURETHANE, BLACK.

③	W/ LOGOS	5748476-1
PACKAGING	REMARKS	PART NUMBER

THIS DRAWING IS A CONTROLLED DOCUMENT.		DWN 12-21-04 L. VARELA - DOCK5		
DIMENSIONS: INCHES		CHK 12-21-04 J. GERACE		
TOLERANCES UNLESS OTHERWISE SPECIFIED:		APVD 12-21-04 M. WALMSLEY	NAME	
0 PLC ± -		PRODUCT SPEC	SHIELDING ENCLOSURE KIT, PLUG, SIZE 4, 62 POSITION, AMPLIMITE, HDP-22	
1 PLC ± -		APPLICATION SPEC	-	
2 PLC ± -		114-40030	SIZE	CAGE CODE
3 PLC ± .020		WEIGHT	A2	00779
4 PLC ± -		RESTRICTED CUSTOMER	DRAWING NO	
ANGLES ± -		SCALE	C=5748476	
FINISH		2:1	SHEET 1 of 1	
MATERIAL		REV		D
④⑤⑥⑦		⑧⑨		