



Chipsmall Limited consists of a professional team with an average of over 10 year of expertise in the distribution of electronic components. Based in Hongkong, we have already established firm and mutual-benefit business relationships with customers from,Europe,America and south Asia,supplying obsolete and hard-to-find components to meet their specific needs.

With the principle of “Quality Parts,Customers Priority,Honest Operation,and Considerate Service”,our business mainly focus on the distribution of electronic components. Line cards we deal with include Microchip,ALPS,ROHM,Xilinx,Pulse,ON,Everlight and Freescale. Main products comprise IC,Modules,Potentiometer,IC Socket,Relay,Connector.Our parts cover such applications as commercial,industrial, and automotives areas.

We are looking forward to setting up business relationship with you and hope to provide you with the best service and solution. Let us make a better world for our industry!



Contact us

Tel: +86-755-8981 8866 Fax: +86-755-8427 6832

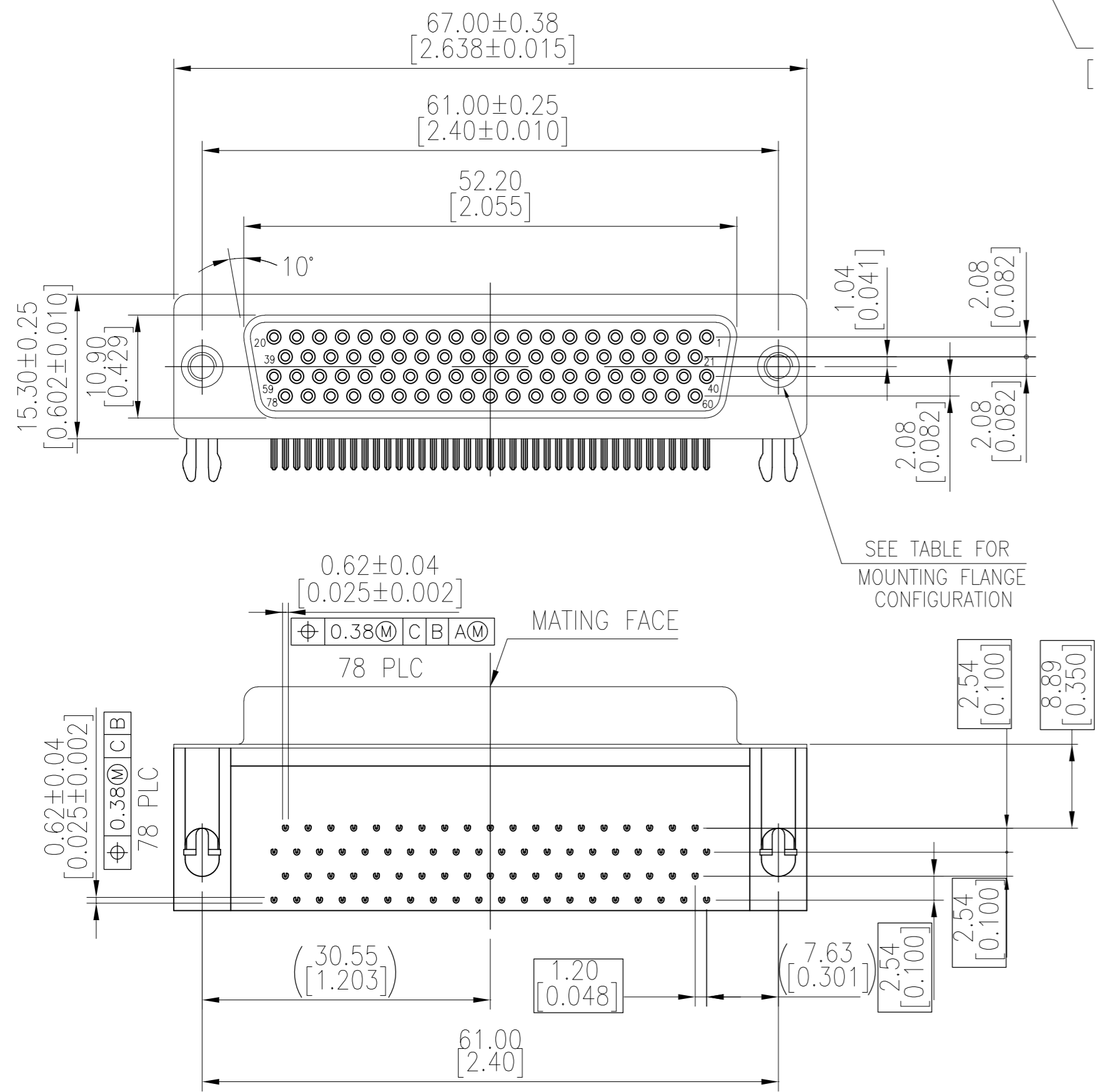
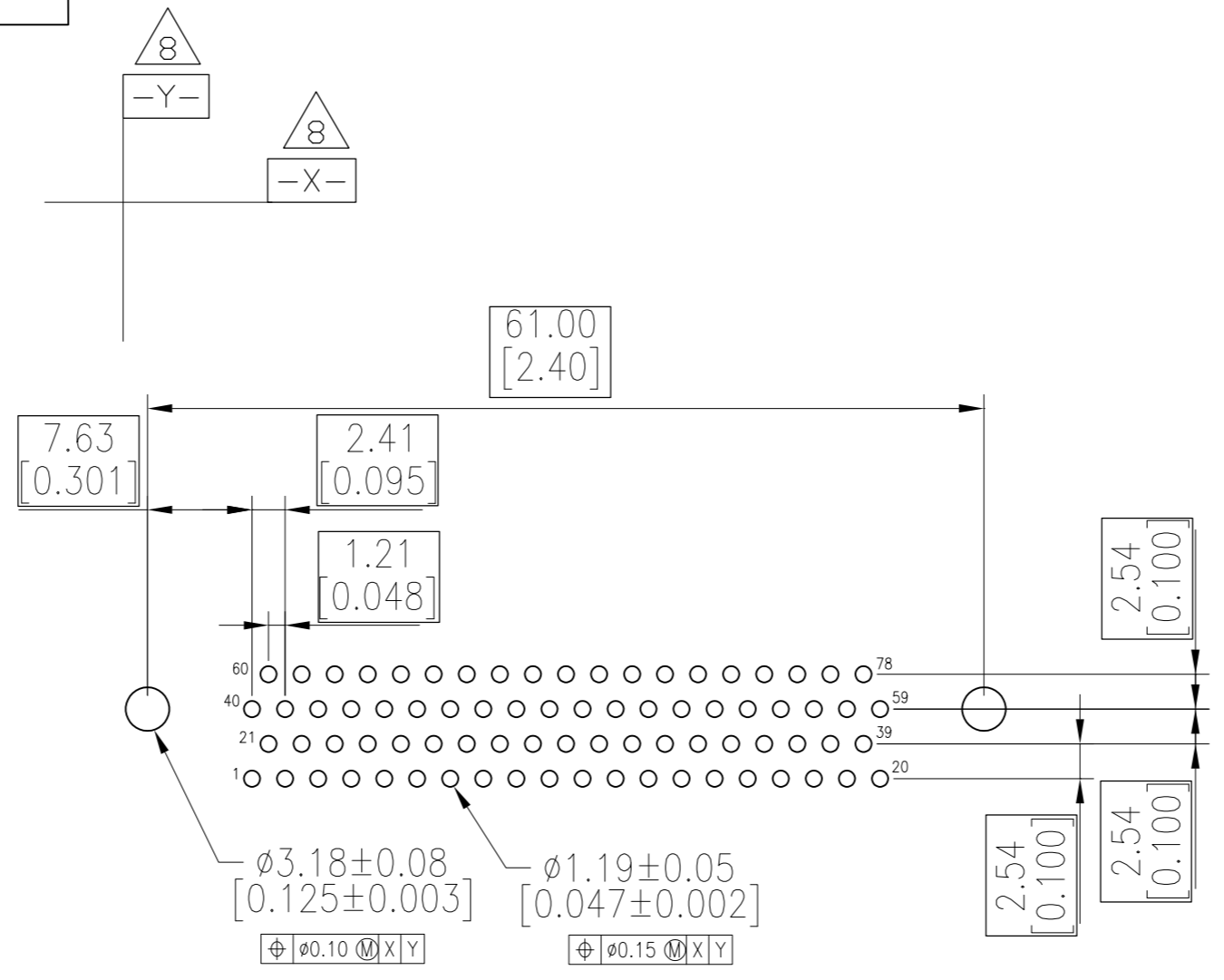
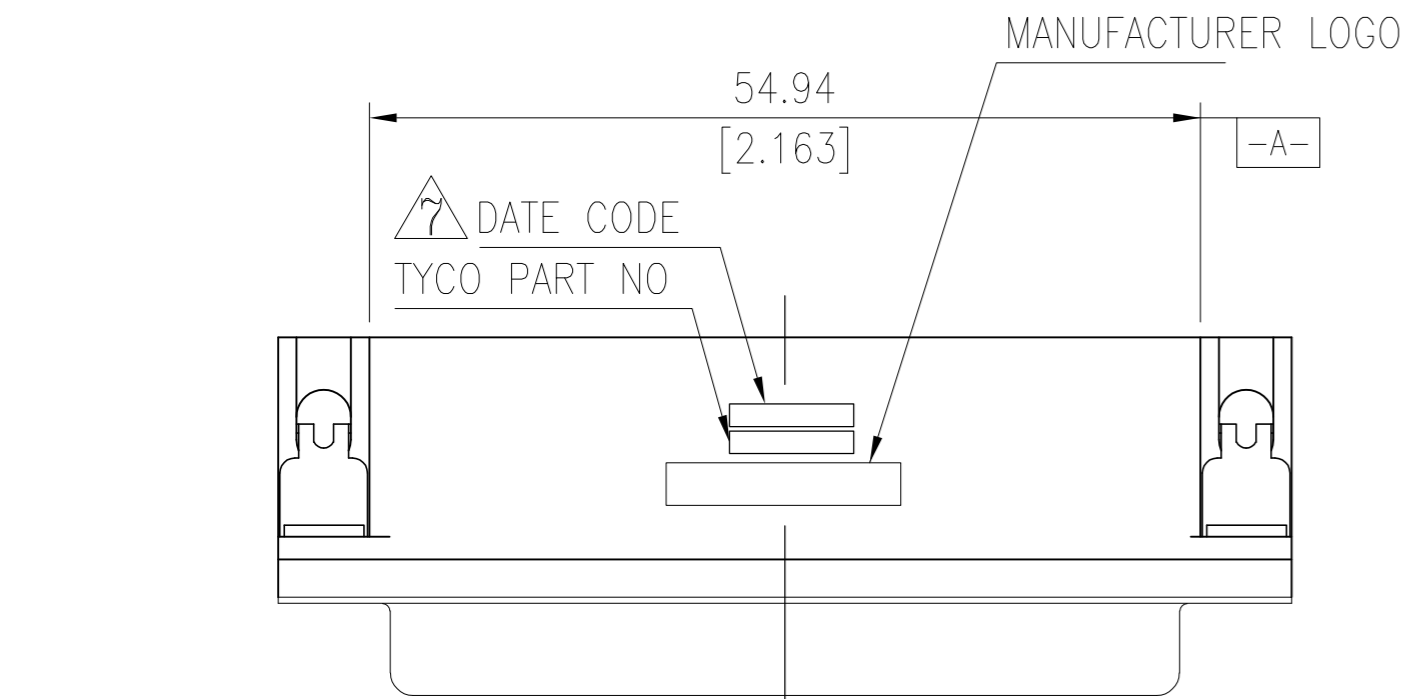
Email & Skype: info@chipsmall.com Web: www.chipsmall.com

Address: A1208, Overseas Decoration Building, #122 Zhenhua RD., Futian, Shenzhen, China



THIS DRAWING IS UNPUBLISHED. RELEASED FOR PUBLICATION
 © COPYRIGHT BY TYCO ELECTRONICS CORPORATION. ALL RIGHTS RESERVED.

LOC	DIST	REVISIONS					
GP	00	P	LTR	DESCRIPTION	DATE	DWN	APVD
		B		REVISED PER ECO-09-005756	15APR2009	ZMR	SLB

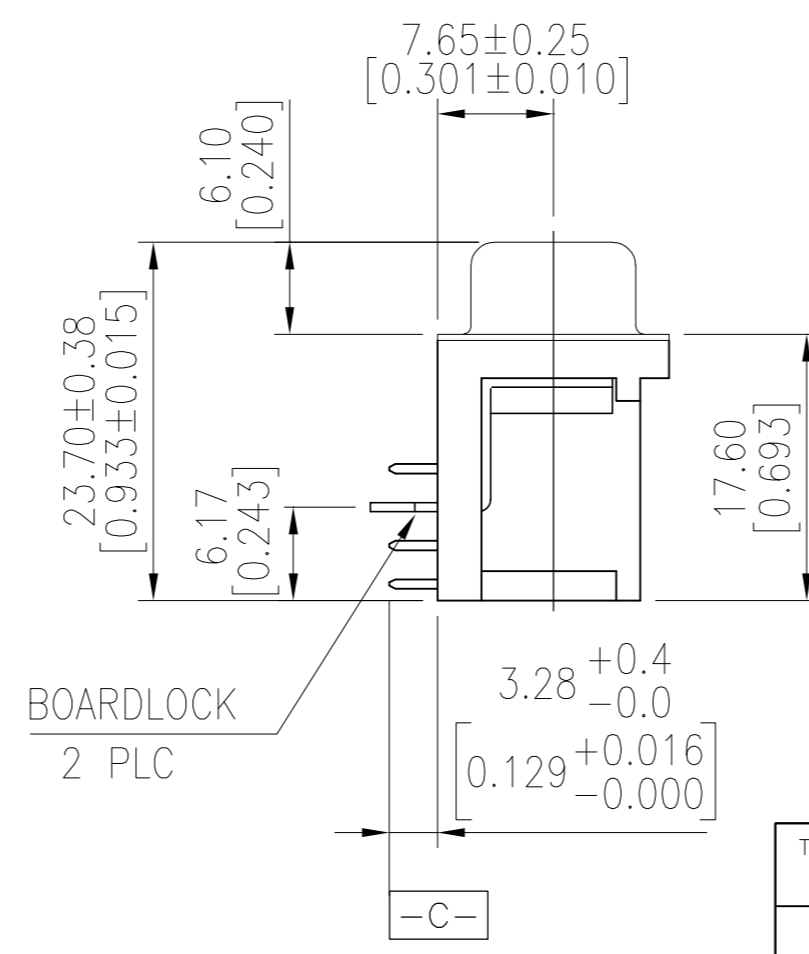
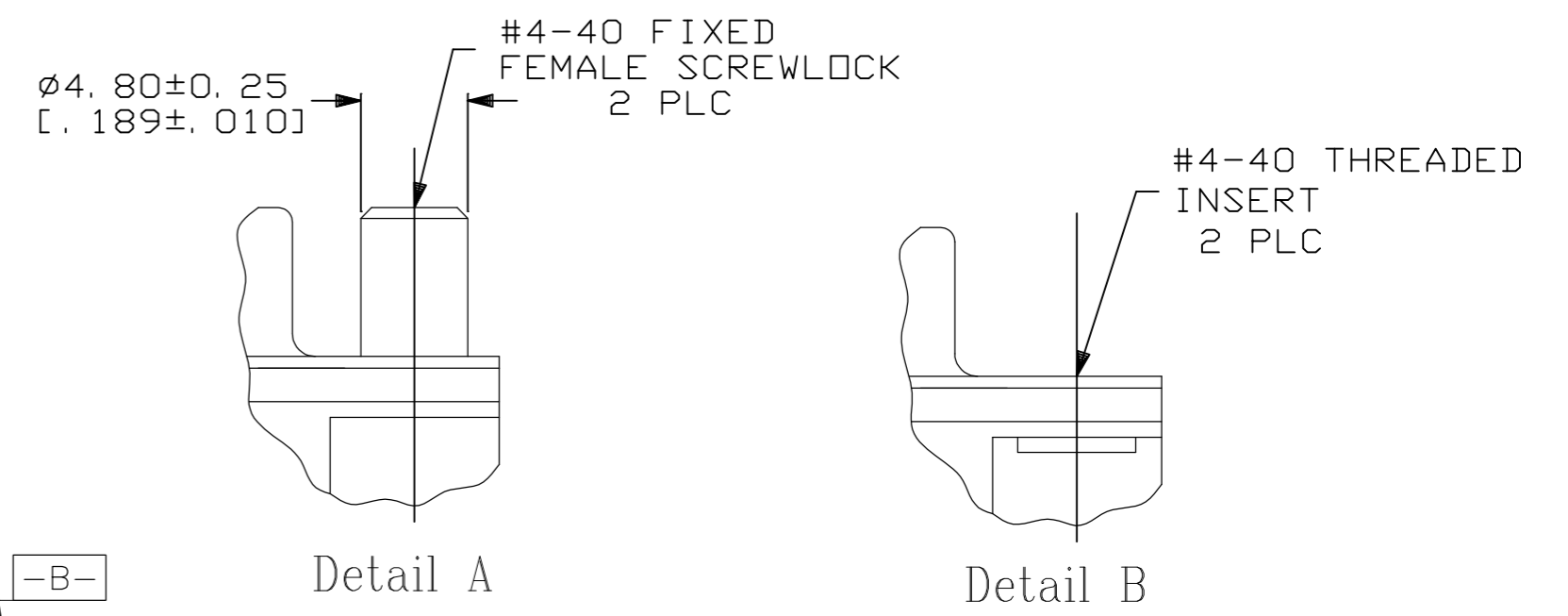


RECOMMENDED PCB LAYOUT

- HOUSING MATERIAL: PBT, GLASS FILLED, BLACK, UL 94V-0 RATED.
- CONTACT MATERIAL: PHOSPHOR BRONZE.
- CONTACT FINISH: GOLD PLATE IN MATING AREA (SEE TABLE), 120μ" MIN TIN PLATE ON SOLDER TAIL, BOTH OVER 50μ" MIN NICKEL UNDERPLATE.
- SHELL: STEEL, NICKEL PLATE.
- BOARDLOCK: BRASS, 100μ" MIN TIN PLATE.
- FEMALE SCREWLOCKS/ THREADED INSERTS: BRASS, NICKEL PLATE.

△ FOUR DIGIT DATE CODE IN THIS FORMAT.
 Year 01 45 Manufacturing Week

△ 8 DATUMS [-X-] & [-Y-] TO BE ESTABLISHED BY CUSTOMER.



OBSOLETE	Tray	Detail A	15μ" MIN	2-5748483-2
OBSOLETE	Tray	Detail B	Gold flash	2-5748483-1
OBSOLETE	Tray	Detail B	15μ" MIN	2-5748483-0
	Tray	Detail A	30μ" MIN	5748483-6
	Tray	Detail B	30μ" MIN	5748483-5
Packaging		Mounting Flange Configuration	Contact Mating Area Finish	AMP Part NO.

5748483-5, 2--0, & 2--1 SHOWN

THIS DRAWING IS A CONTROLLED DOCUMENT.

DIMENSIONS:	TOLERANCES UNLESS OTHERWISE SPECIFIED:	DWN	21SEP05	Tyco Electronics Corporation Harrisburg, PA 17105-3608
mm	0 PLC ± -	CHK	21SEP05	
	1 PLC ± 0.30	APVD	21SEP05	
	2 PLC ± 0.20	PRODUCT SPEC		
	3 PLC ± 0.10	APPLICATION SPEC		NAME
	4 PLC ± -			AMPLIMITE HD-22
	ANGLES ± 2°			78 POS RECEPTACLE, RIGHT ANGLE
MATERIAL	FINISH	WEIGHT		SIZE
-	-	-		A2
CUSTOMER DRAWING			SCALE	DRAWING NO
			4:1	00779
			SHEET	RESTRICTED TO
			1 of 1	-
			REV	B