



Chipsmall Limited consists of a professional team with an average of over 10 year of expertise in the distribution of electronic components. Based in Hongkong, we have already established firm and mutual-benefit business relationships with customers from,Europe,America and south Asia,supplying obsolete and hard-to-find components to meet their specific needs.

With the principle of “Quality Parts,Customers Priority,Honest Operation,and Considerate Service”,our business mainly focus on the distribution of electronic components. Line cards we deal with include Microchip,ALPS,ROHM,Xilinx,Pulse,ON,Everlight and Freescale. Main products comprise IC,Modules,Potentiometer,IC Socket,Relay,Connector.Our parts cover such applications as commercial,industrial, and automotives areas.

We are looking forward to setting up business relationship with you and hope to provide you with the best service and solution. Let us make a better world for our industry!



Contact us

Tel: +86-755-8981 8866 Fax: +86-755-8427 6832

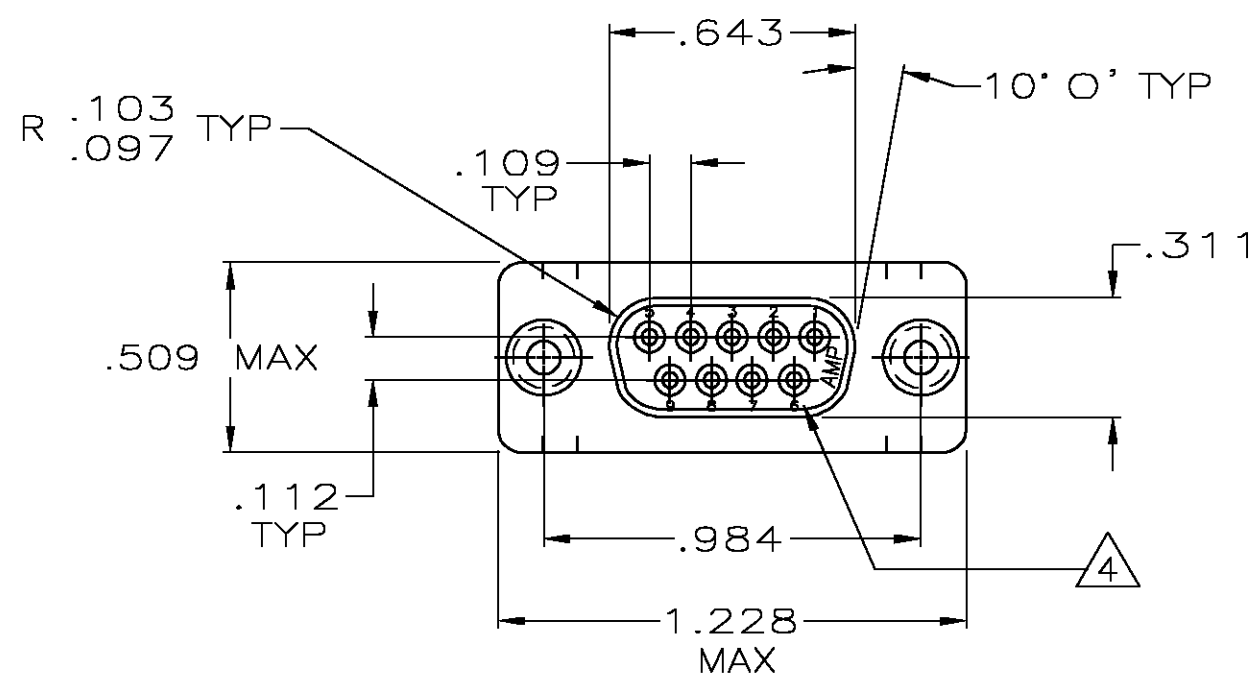
Email & Skype: info@chipsmall.com Web: www.chipsmall.com

Address: A1208, Overseas Decoration Building, #122 Zhenhua RD., Futian, Shenzhen, China

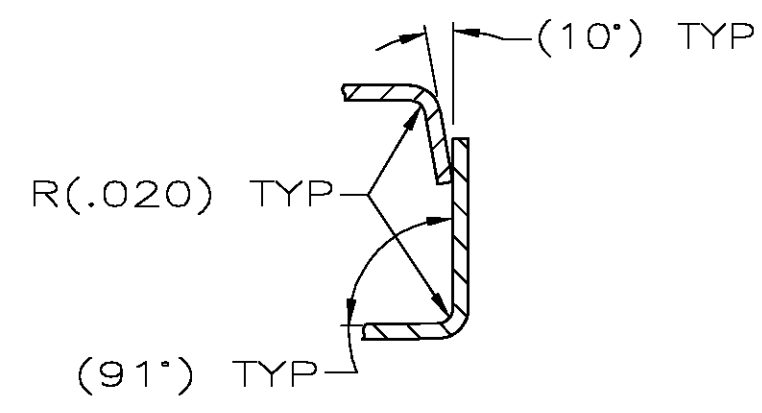


THIS DRAWING IS UNPUBLISHED. RELEASED FOR PUBLICATION
 © COPYRIGHT BY TYCO ELECTRONICS CORPORATION. ALL RIGHTS RESERVED.

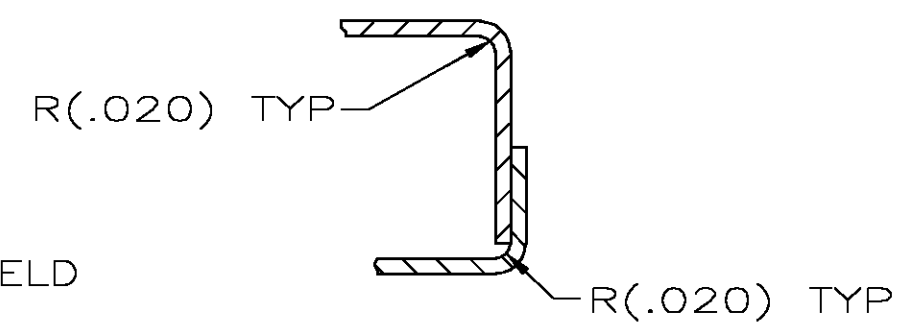
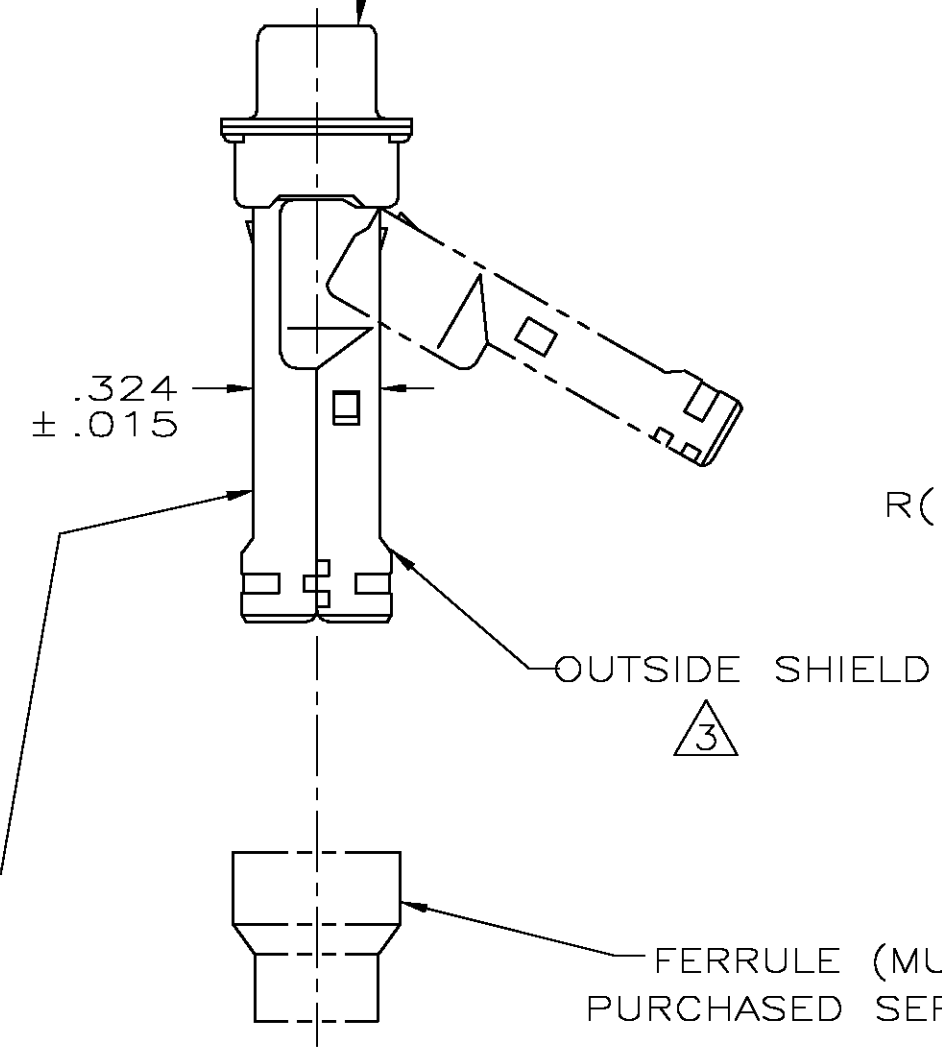
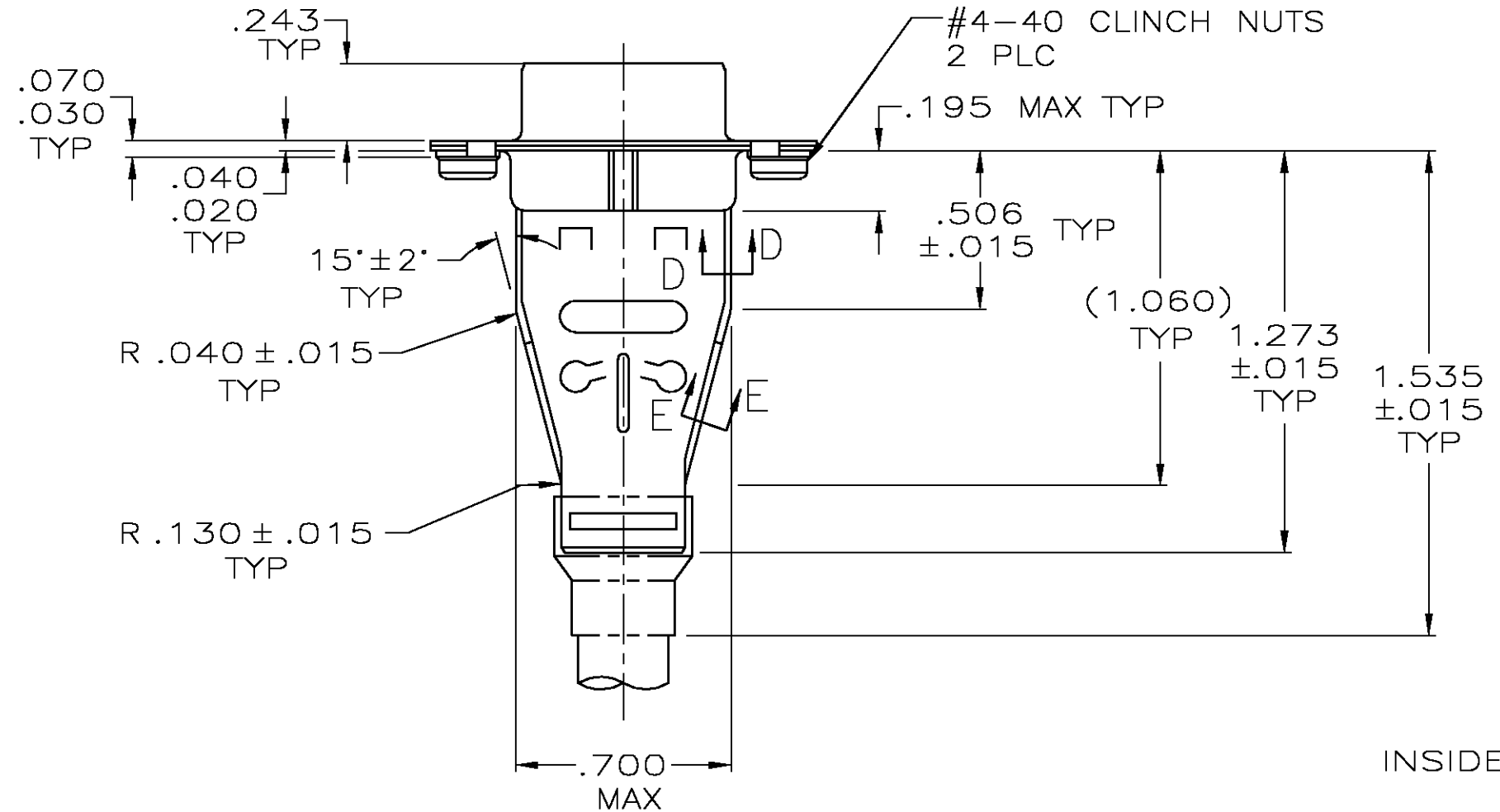
LOC	DIST	REVISIONS					
GP	00	P	LTR	DESCRIPTION	DATE	DWN	APVD
		0		RELEASED PER EC 0S13-0257-04	11-11-04	GA	JG



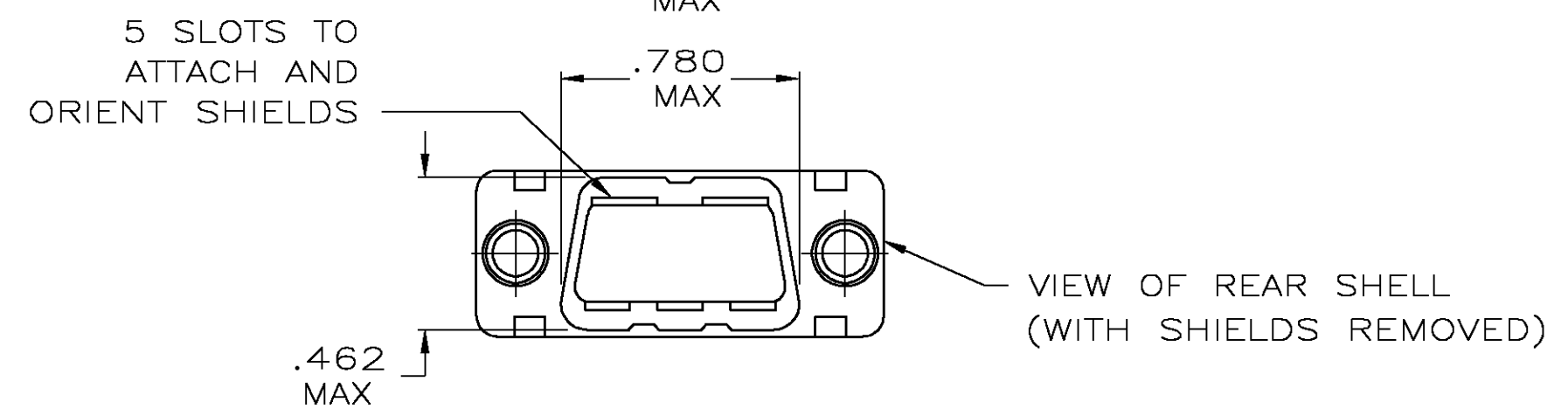
RECEPTACLE CONNECTOR ¹
 INSERTS: BLACK GLASS-FILLED NYLON,
 94V-0 RATED
 SHELLS: STEEL PER ASTM A109
 .000200 MIN TIN PLATE OVER
 .000100 MIN COPPER UNDERPLATE



SECTION D-D
 SCALE 4:1



SECTION E-E
 SCALE 4:1



¹ RECEPTACLE ACCEPTS SIZE 20 SOCKET CONTACTS (CONTACTS MUST BE ORDERED SEPARATELY)

2 ALL PARTS SHIPPED UNASSEMBLED, EACH PART INDIVIDUALLY BULK PACKED.

³ SHIELDS: MATERIAL—.020 THICK STEEL, .000200 MIN TIN PLATE OVER .000100 MIN COPPER UNDERPLATE.

⁴ RAISED CAVITY IDENTIFICATION AND AMP TRADEMARK.

5748536-1
 PART NUMBER

THIS DRAWING IS A CONTROLLED DOCUMENT.		DWN G. ATTADIA - DOCK5 11-11-04	tyco Electronics Tyco Electronics Corporation Harrisburg, PA 17105-3608	
DIMENSIONS: INCHES		CHK J. GERACE 11-11-04	NAME	
TOLERANCES UNLESS OTHERWISE SPECIFIED:		APVD M. WALMSLEY 11-11-04	PRODUCT SPEC	
0 PLC ± -		108-40005 & 108-40030		
1 PLC ± -		APPLICATION SPEC		
2 PLC ± -		114-40030		
3 PLC ± .005		SIZE A2	CAGE CODE 00779	DRAWING NO C=5748536
4 PLC ± -		RESTRICTED TO		
ANGLES ± 0° 30'		CUSTOMER DRAWING		
MATERIAL SEE CALL OUT ³		SCALE 2:1 SHEET 1 OF 1 REV 0		
FINISH SEE CALL OUT ³				