



Chipsmall Limited consists of a professional team with an average of over 10 year of expertise in the distribution of electronic components. Based in Hongkong, we have already established firm and mutual-benefit business relationships with customers from,Europe,America and south Asia,supplying obsolete and hard-to-find components to meet their specific needs.

With the principle of “Quality Parts,Customers Priority,Honest Operation,and Considerate Service”,our business mainly focus on the distribution of electronic components. Line cards we deal with include Microchip,ALPS,ROHM,Xilinx,Pulse,ON,Everlight and Freescale. Main products comprise IC,Modules,Potentiometer,IC Socket,Relay,Connector.Our parts cover such applications as commercial,industrial, and automotives areas.

We are looking forward to setting up business relationship with you and hope to provide you with the best service and solution. Let us make a better world for our industry!



Contact us

Tel: +86-755-8981 8866 Fax: +86-755-8427 6832

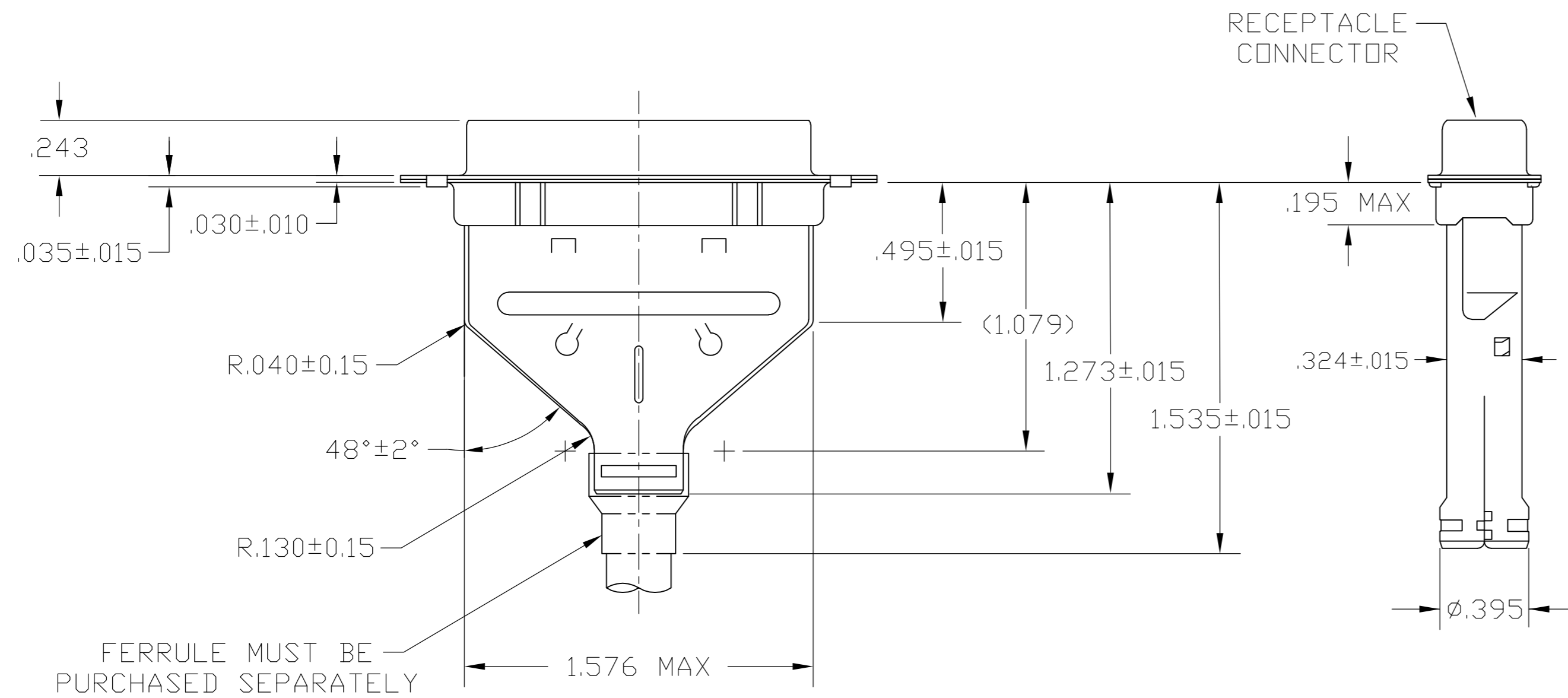
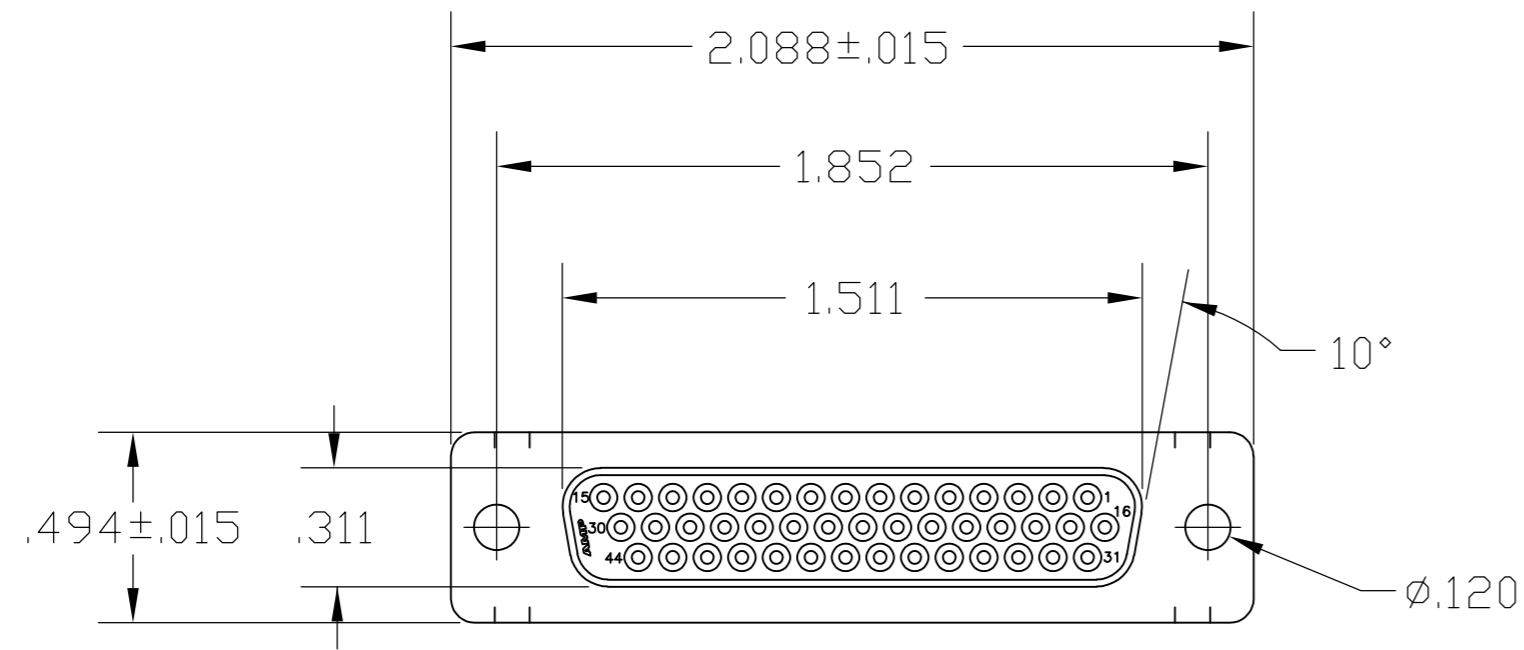
Email & Skype: info@chipsmall.com Web: www.chipsmall.com

Address: A1208, Overseas Decoration Building, #122 Zhenhua RD., Futian, Shenzhen, China



THIS DRAWING IS UNPUBLISHED. RELEASED FOR PUBLICATION
 © COPYRIGHT BY TYCO ELECTRONICS CORPORATION. ALL RIGHTS RESERVED.

LOC	DIST	REVISIONS			
P	LTR	DESCRIPTION	DATE	DWN	APVD
GP	00	A	REVISED PER ECO-10-020603	20DEC2010	CJV VDR



FERRULE MUST BE PURCHASED SEPARATELY

RECEPTACLE CONNECTOR

- RECEPTACLE ACCEPTS SIZE 22 DF SOCKET CONTACTS WHICH MUST BE ORDERED SEPARATELY.
- ALL PARTS SHIPPED UNASSEMBLED, EACH PART INDIVIDUALLY BULK PACKED
- MOLDED PARTS: FLAME RETARDANT GLASS FILLED NYLON, 94V-0 RATED, COLOR BLACK. SHELLS & SHIELDS: STEEL PER ASTM A109.
- SHELLS & SHIELDS: .000200 MIN TIN PLATE OVER .000100 MIN COPPER UNDERPLATE.

5748636-1
PART NUMBER

THIS DRAWING IS A CONTROLLED DOCUMENT.		DWN 12-21-04 L. VARELA - DOCK5	Tyco Electronics Corporation Harrisburg, PA 17105-3608	
DIMENSIONS: INCHES		CHK 12-21-04 J. GERACE	NAME	
TOLERANCES UNLESS OTHERWISE SPECIFIED:		APVD 12-21-04 M. WALMSLEY	PRODUCT SPEC	
0 PLC ± -		108-40005 & 108-40030		
1 PLC ± -		APPLICATION SPEC		
2 PLC ± -		114-40030		
3 PLC ± .005		WEIGHT -		
4 PLC ± -		SIZE A2 CAGE CODE 00779		
ANGLES ± -		DRAWING NO. C=5748636		
FINISH		RESTRICTED TO -		
MATERIAL		SCALE 2:1 SHEET 1 OF 1 REV A		
CUSTOMER DRAWING				