



Chipsmall Limited consists of a professional team with an average of over 10 year of expertise in the distribution of electronic components. Based in Hongkong, we have already established firm and mutual-benefit business relationships with customers from,Europe,America and south Asia,supplying obsolete and hard-to-find components to meet their specific needs.

With the principle of “Quality Parts,Customers Priority,Honest Operation,and Considerate Service”,our business mainly focus on the distribution of electronic components. Line cards we deal with include Microchip,ALPS,ROHM,Xilinx,Pulse,ON,Everlight and Freescale. Main products comprise IC,Modules,Potentiometer,IC Socket,Relay,Connector.Our parts cover such applications as commercial,industrial, and automotives areas.

We are looking forward to setting up business relationship with you and hope to provide you with the best service and solution. Let us make a better world for our industry!



Contact us

Tel: +86-755-8981 8866 Fax: +86-755-8427 6832

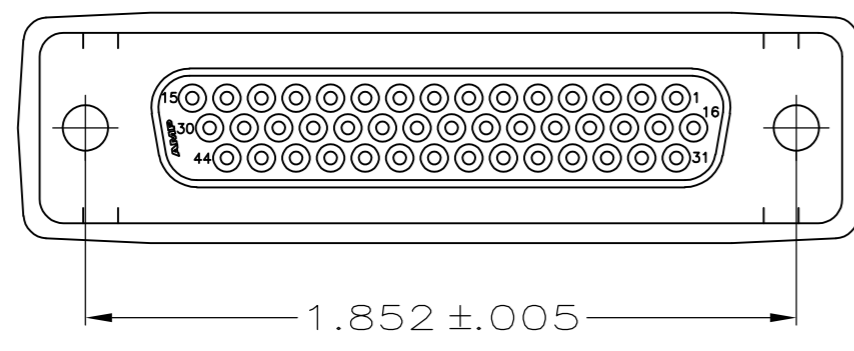
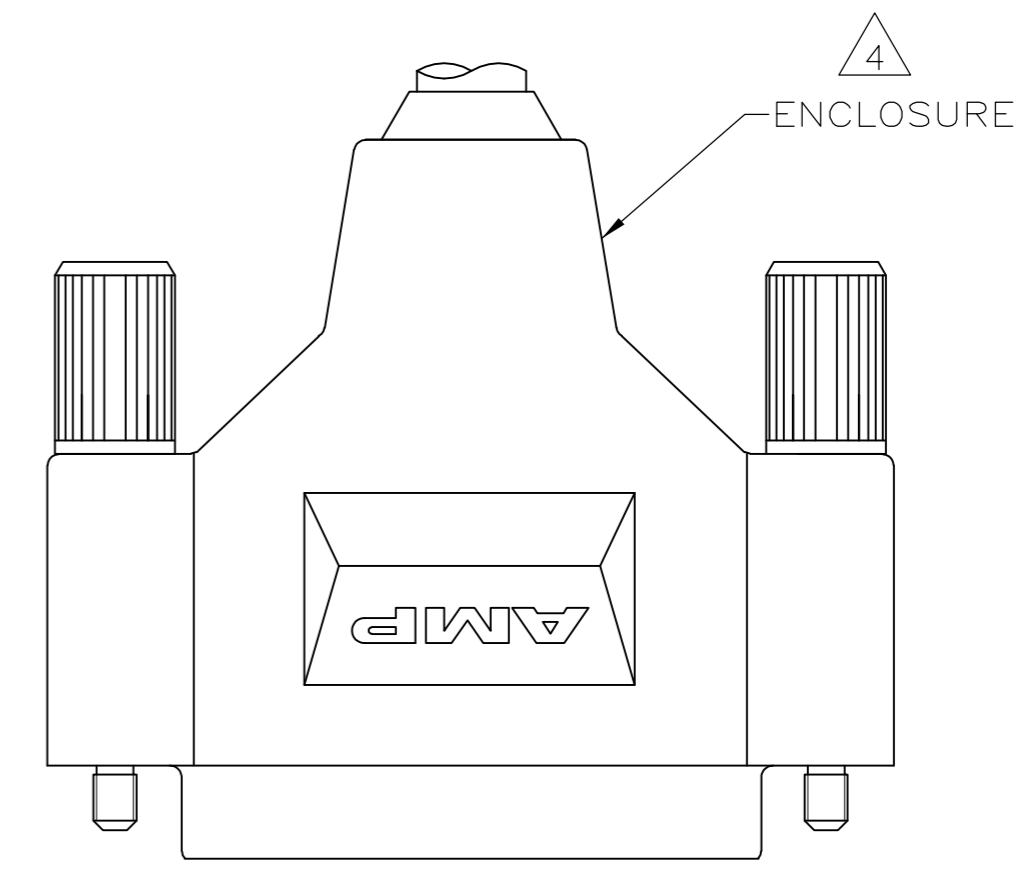
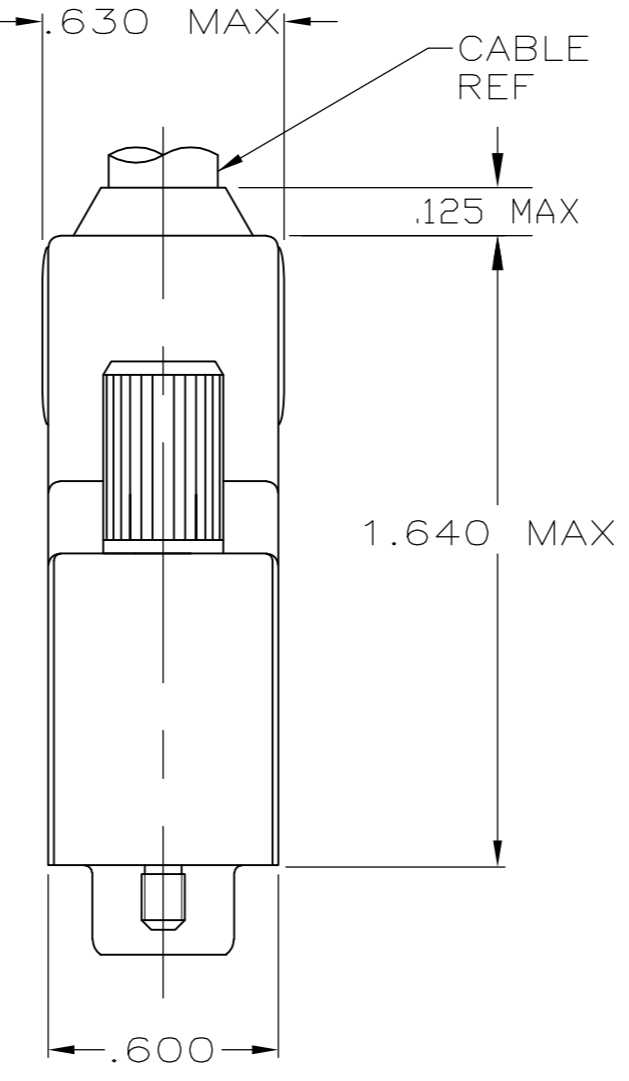
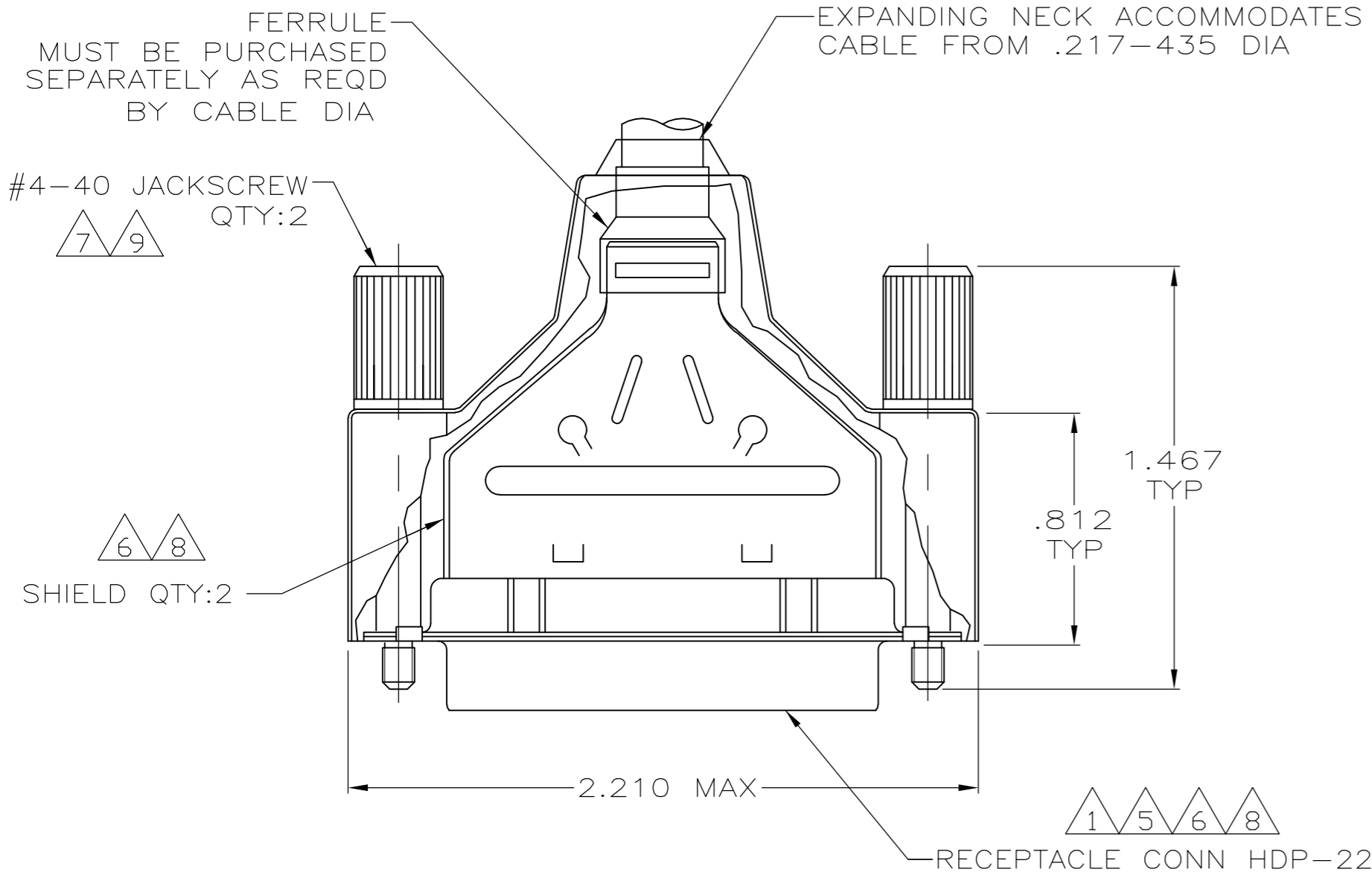
Email & Skype: info@chipsmall.com Web: www.chipsmall.com

Address: A1208, Overseas Decoration Building, #122 Zhenhua RD., Futian, Shenzhen, China



THIS DRAWING IS UNPUBLISHED. RELEASED FOR PUBLICATION
 © COPYRIGHT - By - ALL RIGHTS RESERVED.

LOC		DIST		REVISIONS					
GP		00		P	LTR	DESCRIPTION	DATE	DWN	APVD
				B		REVISED PER ECO-11-006475	21OCT2011	CJV	CWR



- 1 RECEPTACLE ACCEPTS SIZE 22 DF SOCKET CONTACTS. CONTACTS MUST BE PURCHASED SEPARATELY.
- 2. ALL PARTS SHIPPED UNASSEMBLED.
- 3 COMPONENTS INDIVIDUALLY BULK PACKAGED.
- 4 ELASTOMER, STYRENE POLYOLEFIN OR PVC, COLOR BLACK.
- 5 FLAME RETARDANT GLASS FILLED, 94V-0 RATED, COLOR BLACK.
- 6 CARBON STEEL PER ASTM A109.
- 7 ZINC ALLOY.
- 8 .000200 MIN TIN PLATE OVER .000100 MIN COPPER UNDERPLATE.
- 9 ELECTRODEPOSITED POLYURETHANE, BLACK.

3	W/ LOGOS	5748641-1
PACKAGING	REMARKS	PART NUMBER

THIS DRAWING IS A CONTROLLED DOCUMENT.		DWN L. VARELA - DOCK5 12-21-04	TE Connectivity	
DIMENSIONS: INCHES		CHK J. GERACE 12-21-04	NAME M. WALMSLEY 12-21-04	
TOLERANCES UNLESS OTHERWISE SPECIFIED:		APVD M. WALMSLEY 12-21-04	PRODUCT SPEC 108-40005 & 108-40030	
0 PLC ± -		APPLICATION SPEC 114-40030		
1 PLC ± -		SIZE A2		
2 PLC ± -		CAGE CODE 00779		
3 PLC ± .020		DRAWING NO C=5748641		
4 PLC ± -		RESTRICTED TO -		
ANGLES ± -		SCALE 2:1		
FINISH		SHEET 1 of 1		
MATERIAL		REV B		
CUSTOMER DRAWING				