



Chipsmall Limited consists of a professional team with an average of over 10 year of expertise in the distribution of electronic components. Based in Hongkong, we have already established firm and mutual-benefit business relationships with customers from,Europe,America and south Asia,supplying obsolete and hard-to-find components to meet their specific needs.

With the principle of "Quality Parts,Customers Priority,Honest Operation,and Considerate Service",our business mainly focus on the distribution of electronic components. Line cards we deal with include Microchip,ALPS,ROHM,Xilinx,Pulse,ON,Everlight and Freescale. Main products comprise IC,Modules,Potentiometer,IC Socket,Relay,Connector.Our parts cover such applications as commercial,industrial, and automotives areas.

We are looking forward to setting up business relationship with you and hope to provide you with the best service and solution. Let us make a better world for our industry!



Contact us

Tel: +86-755-8981 8866 Fax: +86-755-8427 6832

Email & Skype: info@chipsmall.com Web: www.chipsmall.com

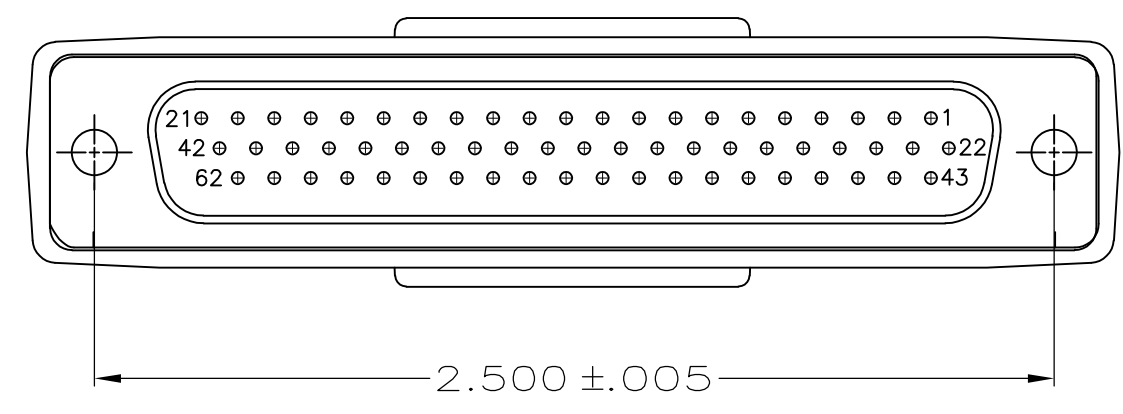
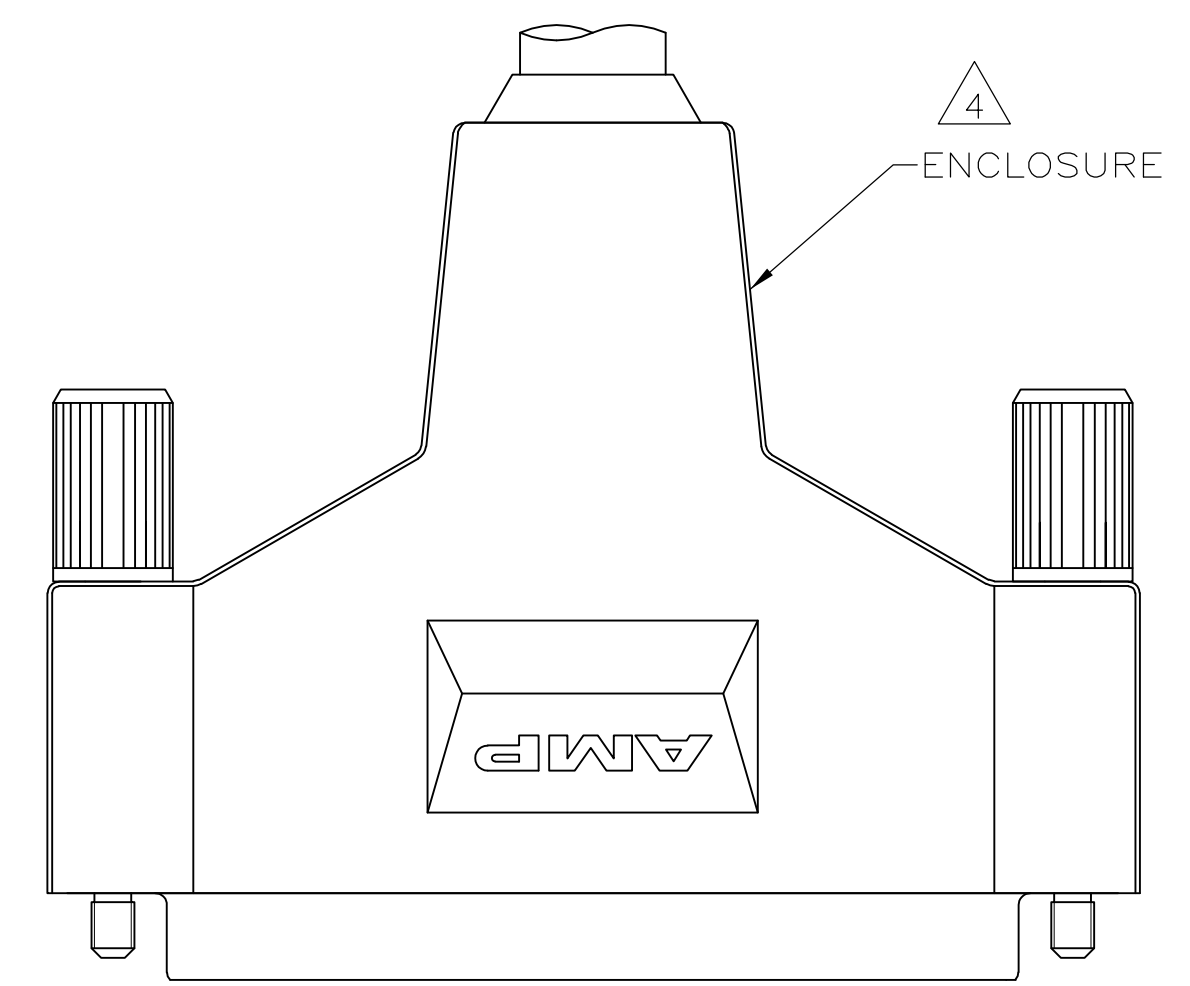
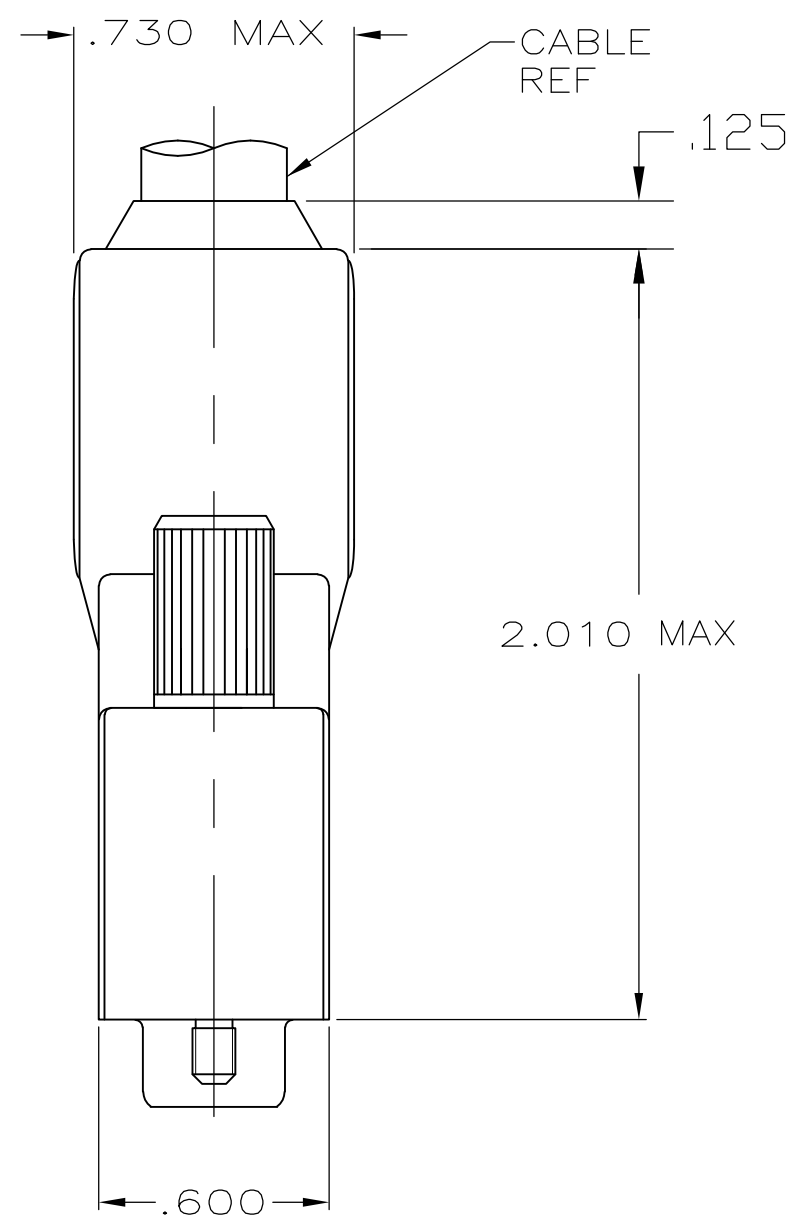
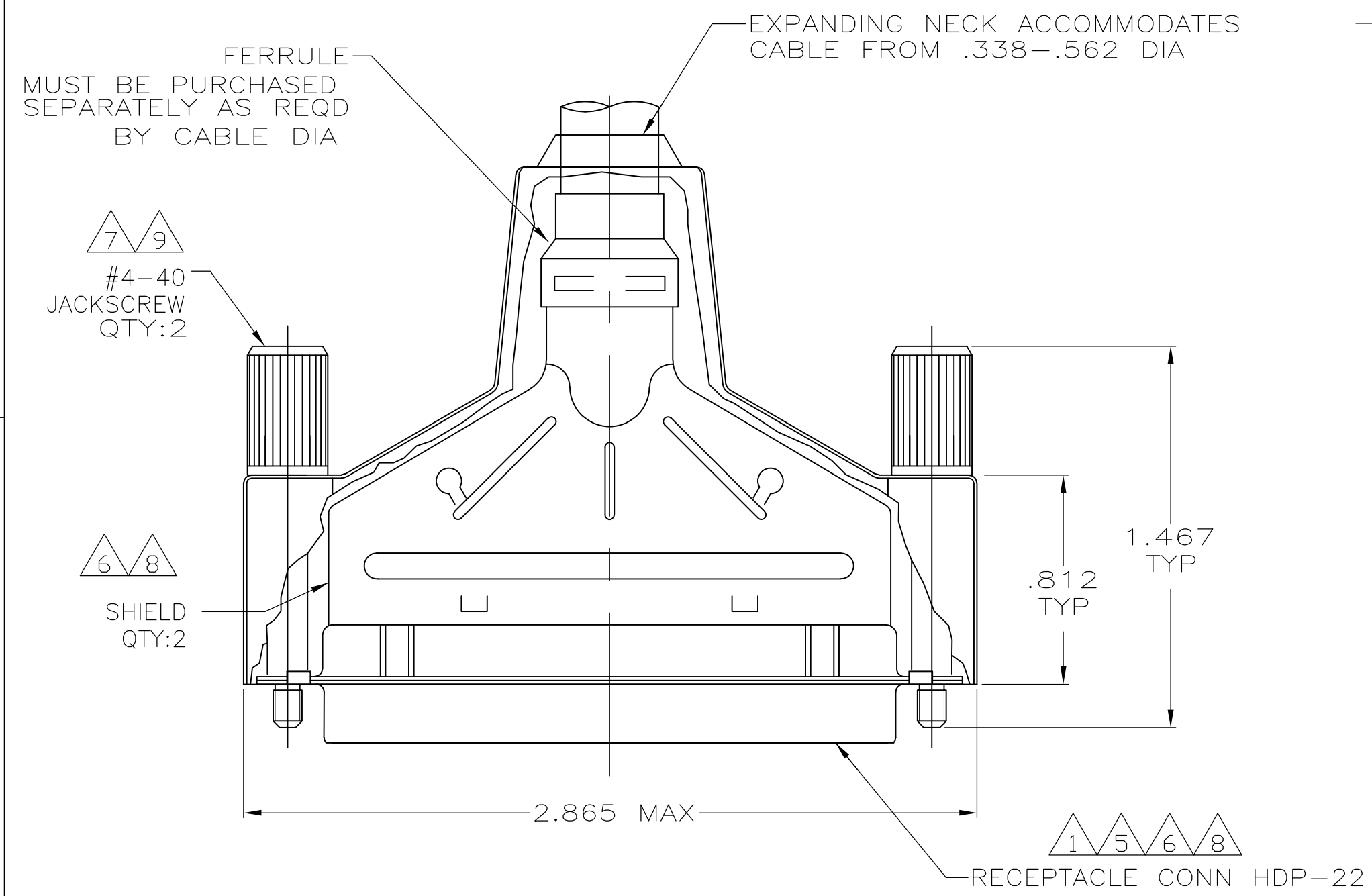
Address: A1208, Overseas Decoration Building, #122 Zhenhua RD., Futian, Shenzhen, China



THIS DRAWING IS UNPUBLISHED. RELEASED FOR PUBLICATION
 © COPYRIGHT - By - ALL RIGHTS RESERVED.

LOC		DIST		REVISIONS			
P	LTR	DESCRIPTION		DATE	DWN	APVD	
GP	00	B		REVISED PER ECO-11-006475	21OCT2011	CJV	CWR

- 1 RECEPTACLE ACCEPTS SIZE 22 DF SOCKET CONTACTS. CONTACTS MUST BE PURCHASED SEPARATELY.
- 2 ALL PARTS SHIPPED UNASSEMBLED.
- 3 COMPONENTS INDIVIDUALLY BULK PACKAGED.
- 4 ELASTOMER, STYRENE POLYOLEFIN OR PVC, COLOR BLACK.
- 5 FLAME RETARDANT GLASS FILLED, 94V-0 RATED, COLOR BLACK.
- 6 CARBON STEEL PER ASTM A109.
- 7 ZINC ALLOY.
- 8 .000200 MIN TIN PLATE OVER .000100 MIN COPPER UNDERPLATE.
- 9 ELECTRODEPOSITED POLYURETHANE, BLACK.



3	W/ LOGOS	5748642-1
PACKAGING	REMARKS	PART NUMBER

THIS DRAWING IS A CONTROLLED DOCUMENT.		DWN 12-21-04 L. VARELA - DOCK5	STE TE Connectivity	
DIMENSIONS: INCHES		CHK 12-21-04 J. GERACE		
TOLERANCES UNLESS OTHERWISE SPECIFIED:		APVD 12-21-04 M. WALMSLEY	NAME 6	
0 PLC ± -		PRODUCT SPEC	SIZE 4, 62 POSITION, AMPLIMITE, HDP-22	
1 PLC ± -		108-40005 & 108-40030	SIZE	CAGE CODE
2 PLC ± -		APPLICATION SPEC	A2	00779
3 PLC ± .020		114-40030	DRAWING NO	
4 PLC ± -		WEIGHT -	RESTRICTED TO	
ANGLES ± -		CUSTOMER DRAWING	SCALE 2:1 SHEET 1 of 1 REV B	
FINISH		C=5748642		