



Chipsmall Limited consists of a professional team with an average of over 10 year of expertise in the distribution of electronic components. Based in Hongkong, we have already established firm and mutual-benefit business relationships with customers from,Europe,America and south Asia,supplying obsolete and hard-to-find components to meet their specific needs.

With the principle of "Quality Parts,Customers Priority,Honest Operation,and Considerate Service",our business mainly focus on the distribution of electronic components. Line cards we deal with include Microchip,ALPS,ROHM,Xilinx,Pulse,ON,Everlight and Freescale. Main products comprise IC,Modules,Potentiometer,IC Socket,Relay,Connector.Our parts cover such applications as commercial,industrial, and automotives areas.

We are looking forward to setting up business relationship with you and hope to provide you with the best service and solution. Let us make a better world for our industry!



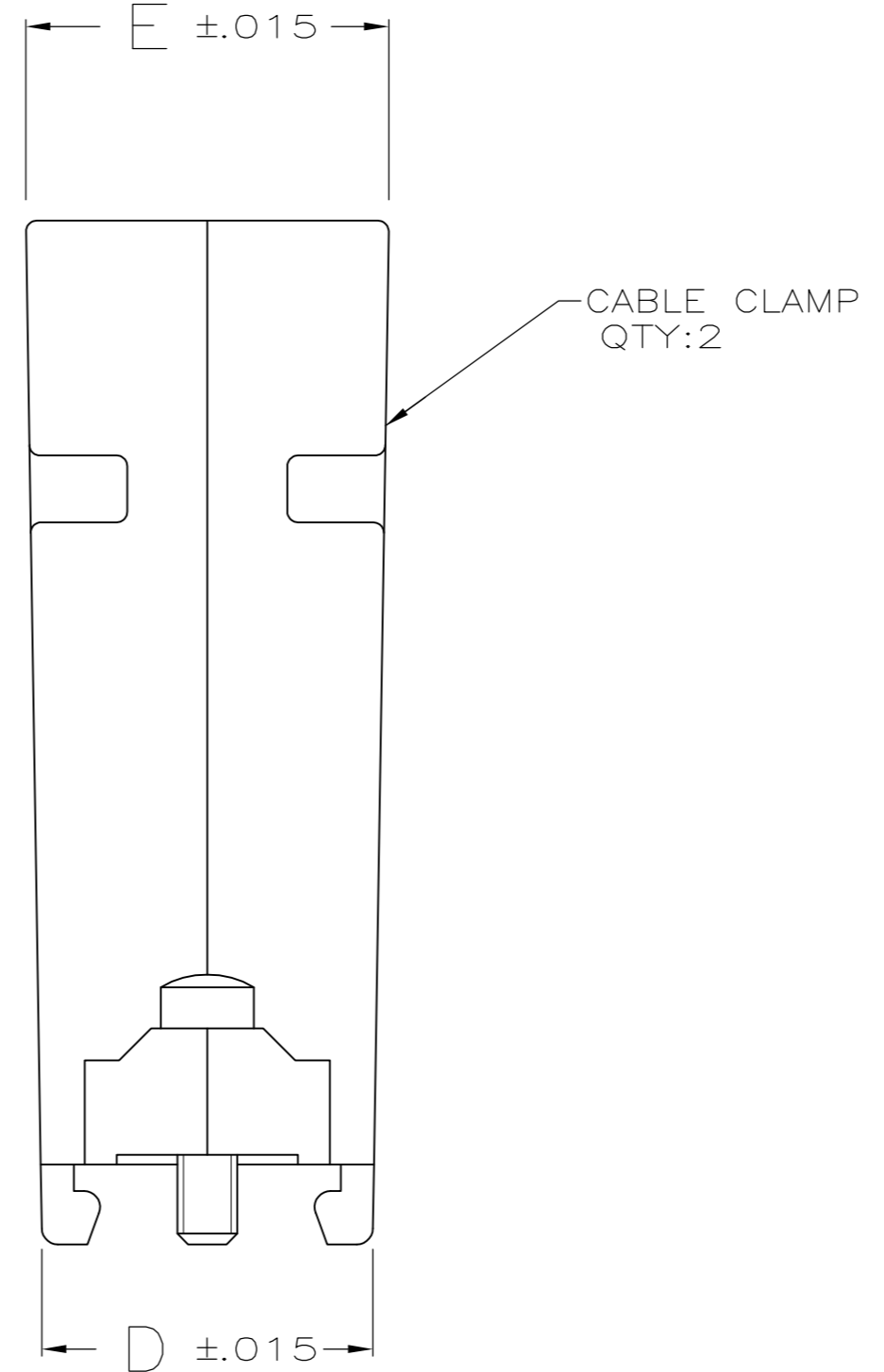
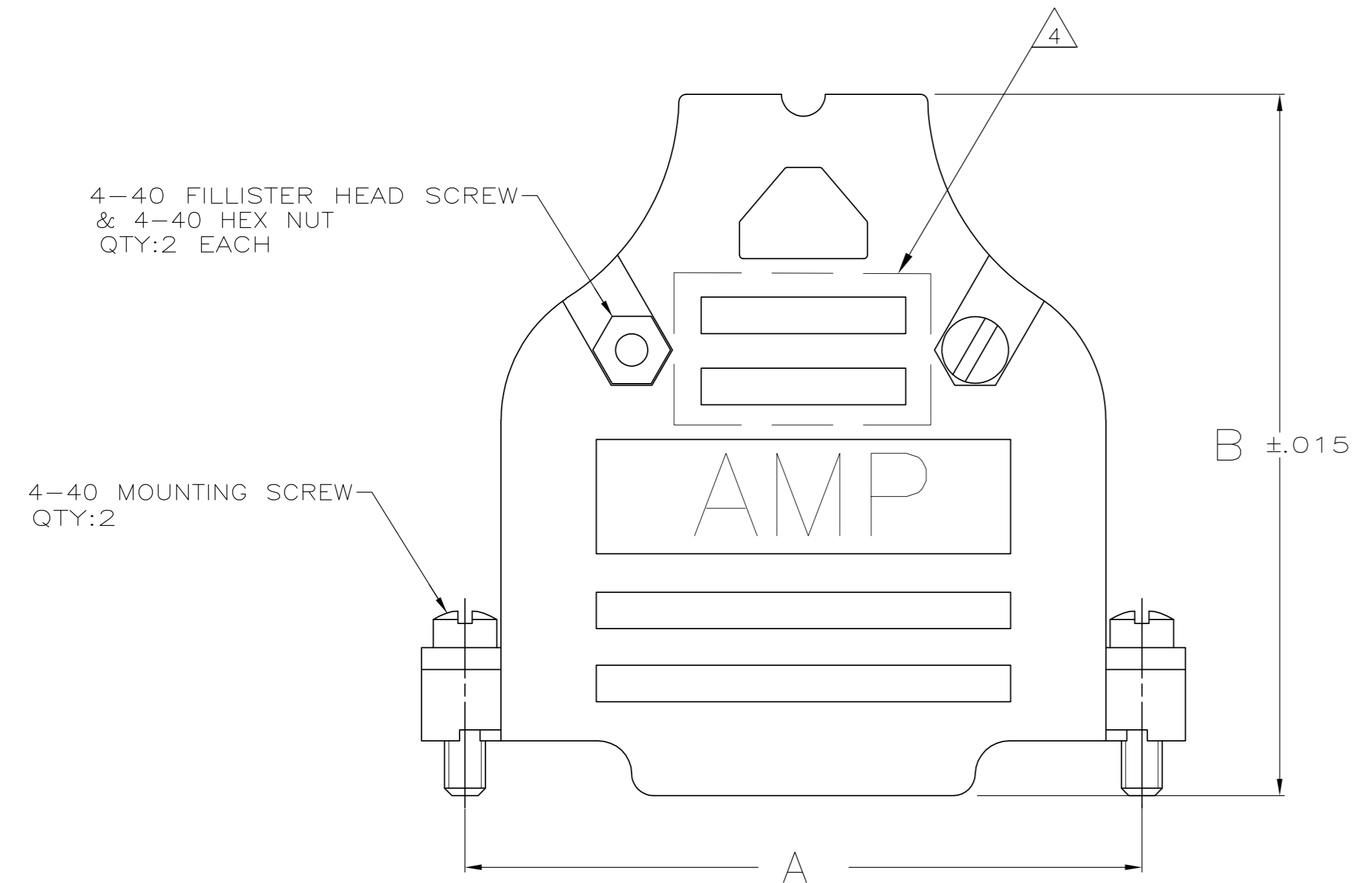
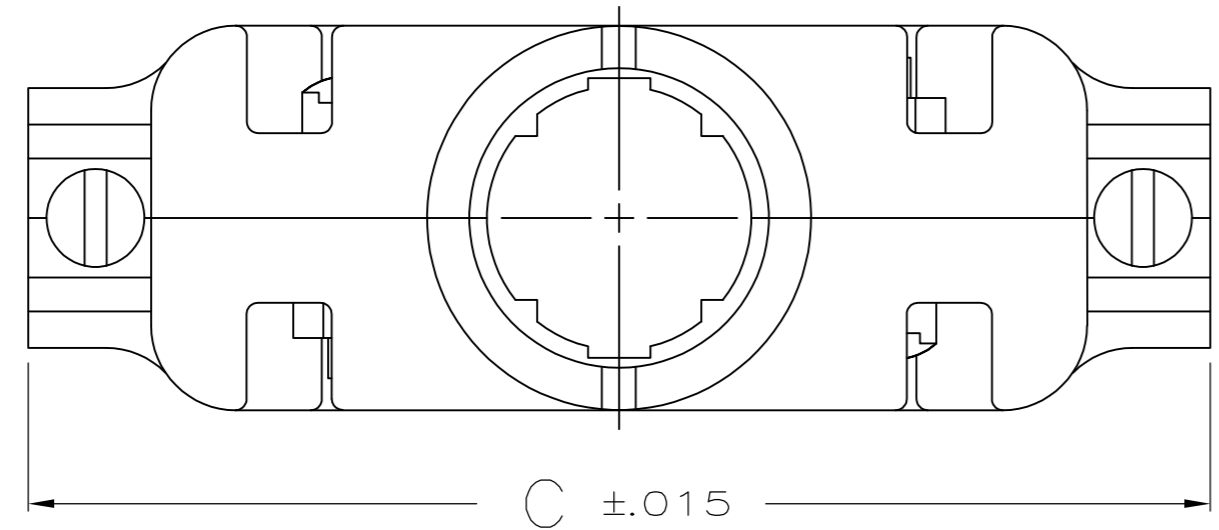
Contact us

Tel: +86-755-8981 8866 Fax: +86-755-8427 6832

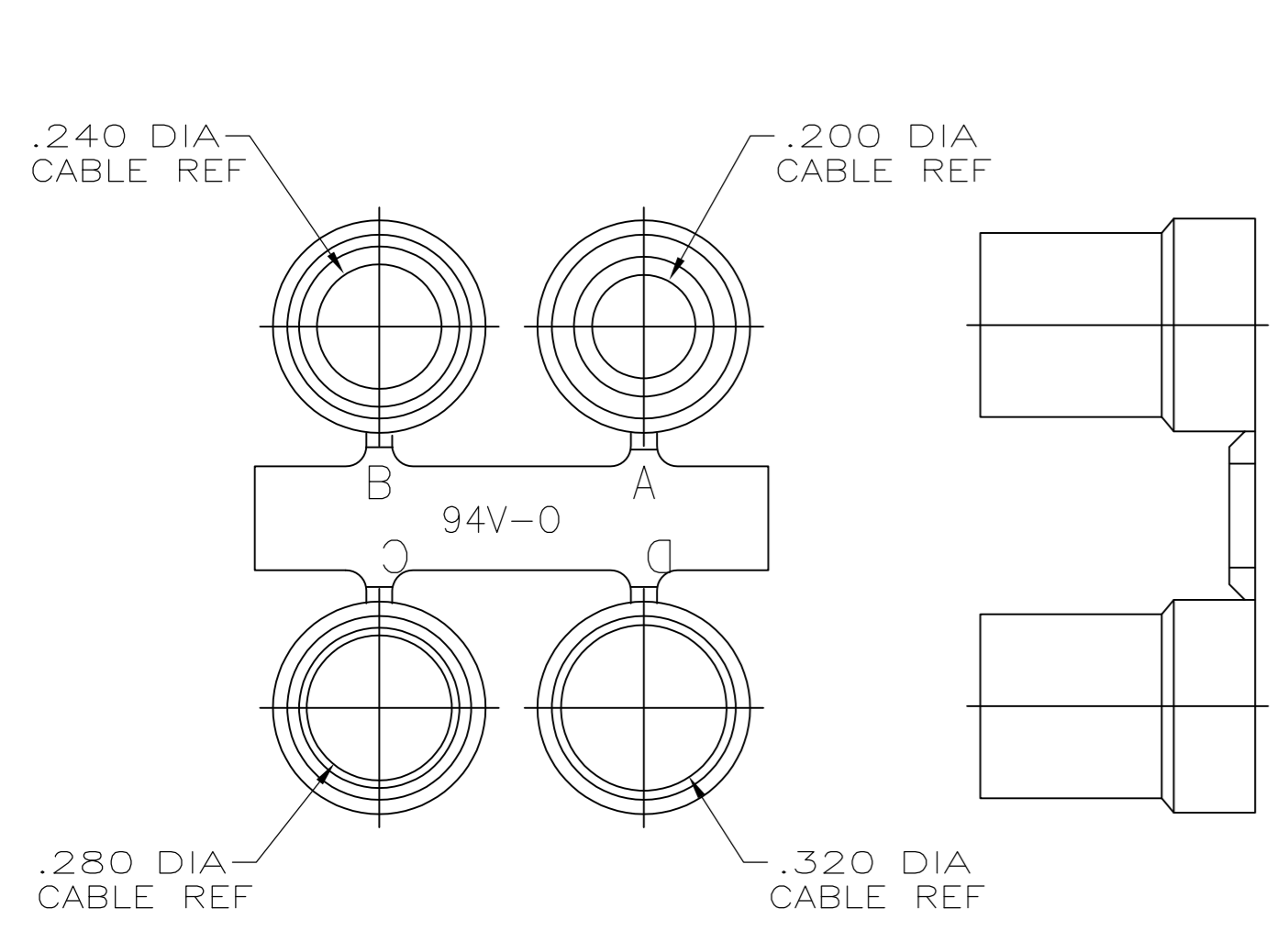
Email & Skype: info@chipsmall.com Web: www.chipsmall.com

Address: A1208, Overseas Decoration Building, #122 Zhenhua RD., Futian, Shenzhen, China

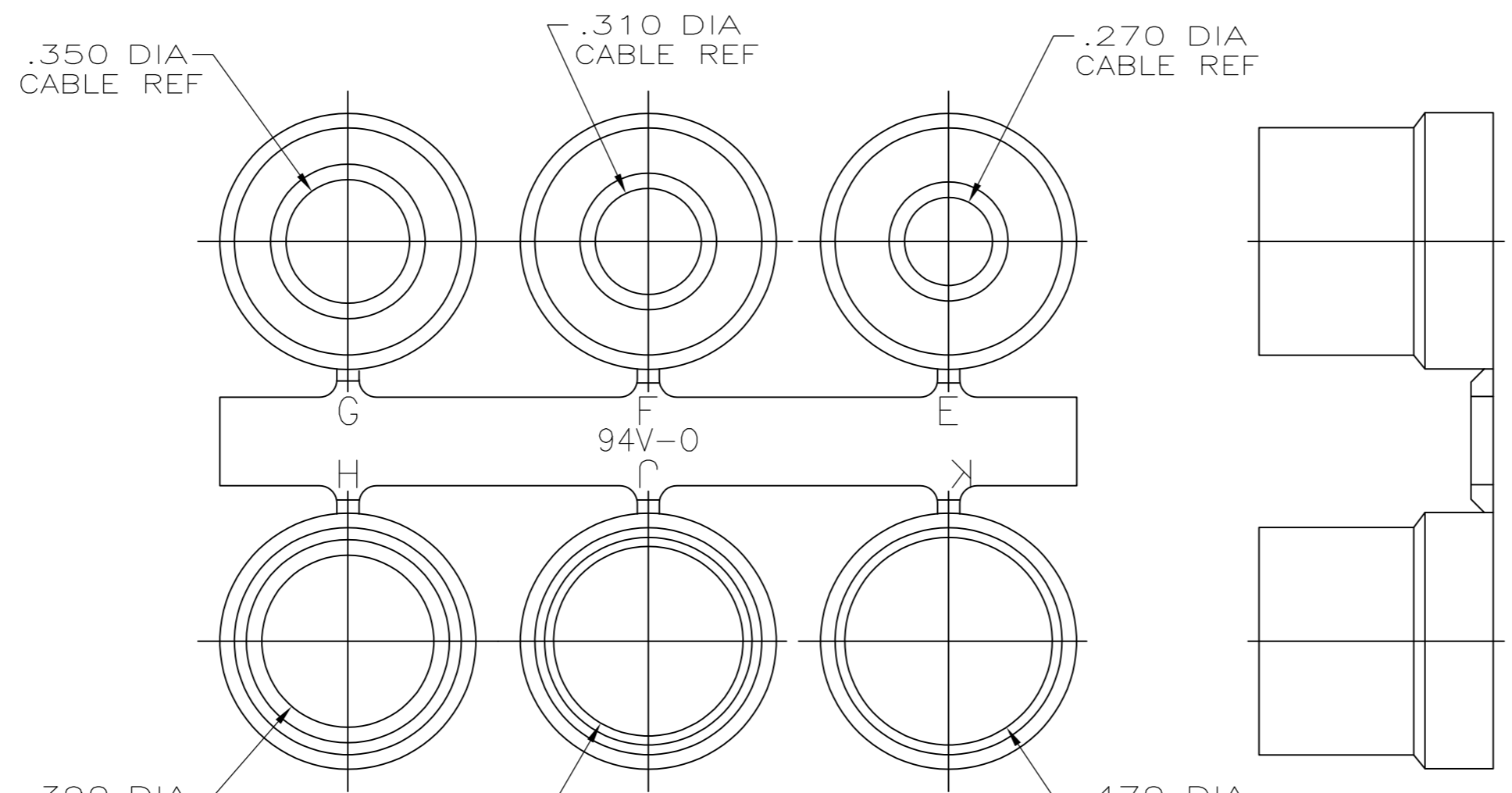




- PARTS PACKAGED UNASSEMBLED AS A UNIT KIT.
- △ CABLE CLAMPS: ABS COMPOUND, COLOR BLACK.
FILISTER HEAD SCREWS, HEX NUTS & MOUNTING SCREWS: STEEL.
GROMMETS: FLEXIBLE PVC, UL 94V-0 RATED, COLOR BLACK.
- △ CABLE CLAMPS: UNPLATED.
FILISTER HEAD SCREWS, HEX NUTS & MOUNTING SCREWS: ZINC PLATED
CLEAR CHROMATE COATED.
- △ SIZE 3 CONFIGURATION SHOWN. NUMBER AND SIZE OF SLOTS
IN THIS AREA VARIES BY CABLE CLAMP SIZE.



GROMMET ASSORTMENT
TYPE 1
SEE TABLE



GROMMET ASSORTMENT
TYPE 2
SEE TABLE

TYPE 2	.900	.730	2.644	1.920	2.406	5	5748678-5
TYPE 2	.800	.620	2.738	1.920	2.500	4	5748678-4
TYPE 2	.680	.640	2.090	1.920	1.852	3	5748678-3
TYPE 1	.620	.620	1.545	1.910	1.312	2	5748678-2
TYPE 1	.570	.630	1.215	1.910	.984	1	5748678-1
GROMMET ASSORTMENT	E	D	C	B	A	SIZE	PART NO

**COPYRIGHT 2005
TE CONNECTIVITY CORP
ALL RIGHTS RESERVED**

THIS DRAWING IS A CONTROLLED DOCUMENT.		DWN: R. RICHARDSON 15SEP05	TE Connectivity
DIMENSIONS: INCHES		CHK: C. RÖHDE 15SEP05	
TOLERANCES UNLESS OTHERWISE SPECIFIED:		APVD: M. WALMSLEY 15SEP05	NAME: KIT, CABLE CLAMP, 180 DEGREES EXIT, UNPLATED, BLACK.
0 PLC ± - 1 PLC ± - 2 PLC ± - 3 PLC ± .005 4 PLC ± - ANGLES ± -		PRODUCT SPEC: -	APPLICATION SPEC: -
MATERIAL: △ 2	FINISH: △ 3	WEIGHT: -	RESTRICTED TO: -
CUSTOMER DRAWING		SIZE: A1	SCALE: 3:1
		DRAWING NO: 00779	SHEET: 1 OF 1
		REV: C=5748678	REV: A1