



Chipsmall Limited consists of a professional team with an average of over 10 year of expertise in the distribution of electronic components. Based in Hongkong, we have already established firm and mutual-benefit business relationships with customers from,Europe,America and south Asia,supplying obsolete and hard-to-find components to meet their specific needs.

With the principle of “Quality Parts,Customers Priority,Honest Operation,and Considerate Service”,our business mainly focus on the distribution of electronic components. Line cards we deal with include Microchip,ALPS,ROHM,Xilinx,Pulse,ON,Everlight and Freescale. Main products comprise IC,Modules,Potentiometer,IC Socket,Relay,Connector.Our parts cover such applications as commercial,industrial, and automotives areas.

We are looking forward to setting up business relationship with you and hope to provide you with the best service and solution. Let us make a better world for our industry!



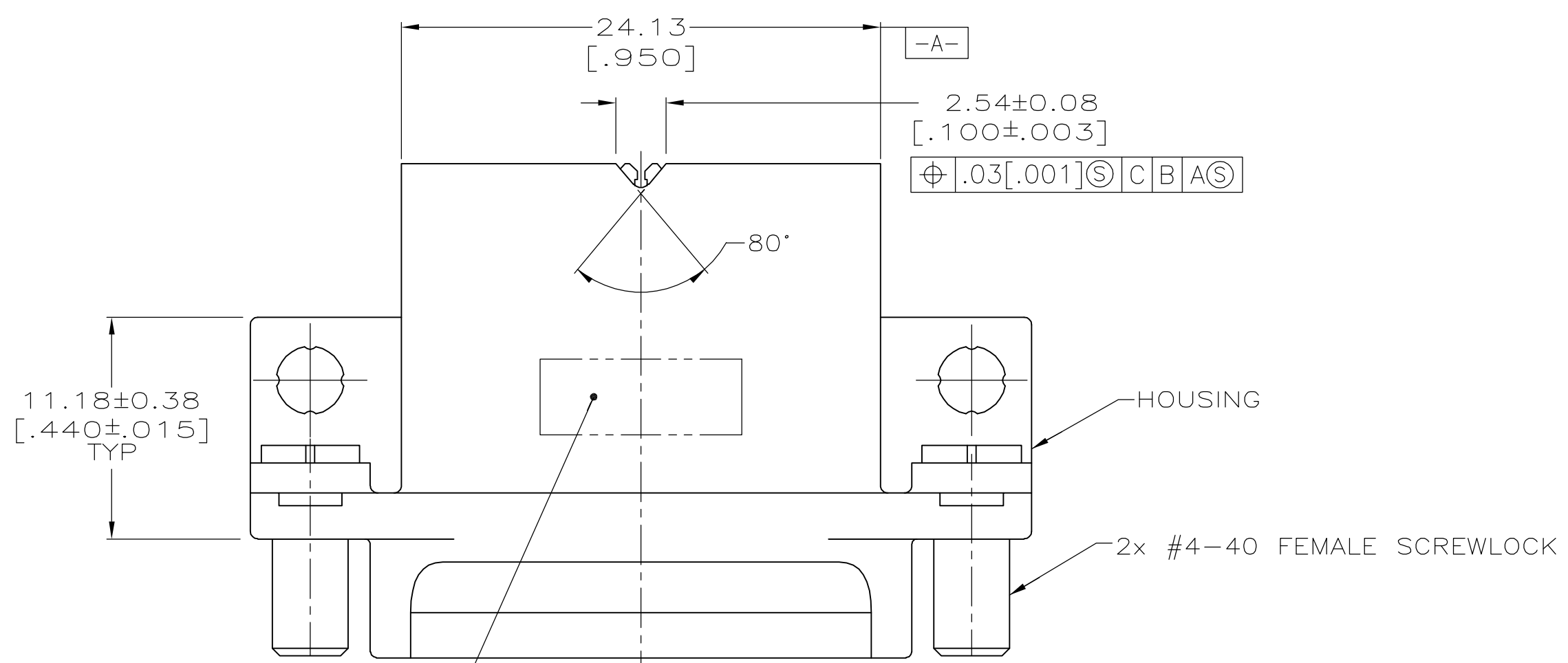
## Contact us

Tel: +86-755-8981 8866 Fax: +86-755-8427 6832

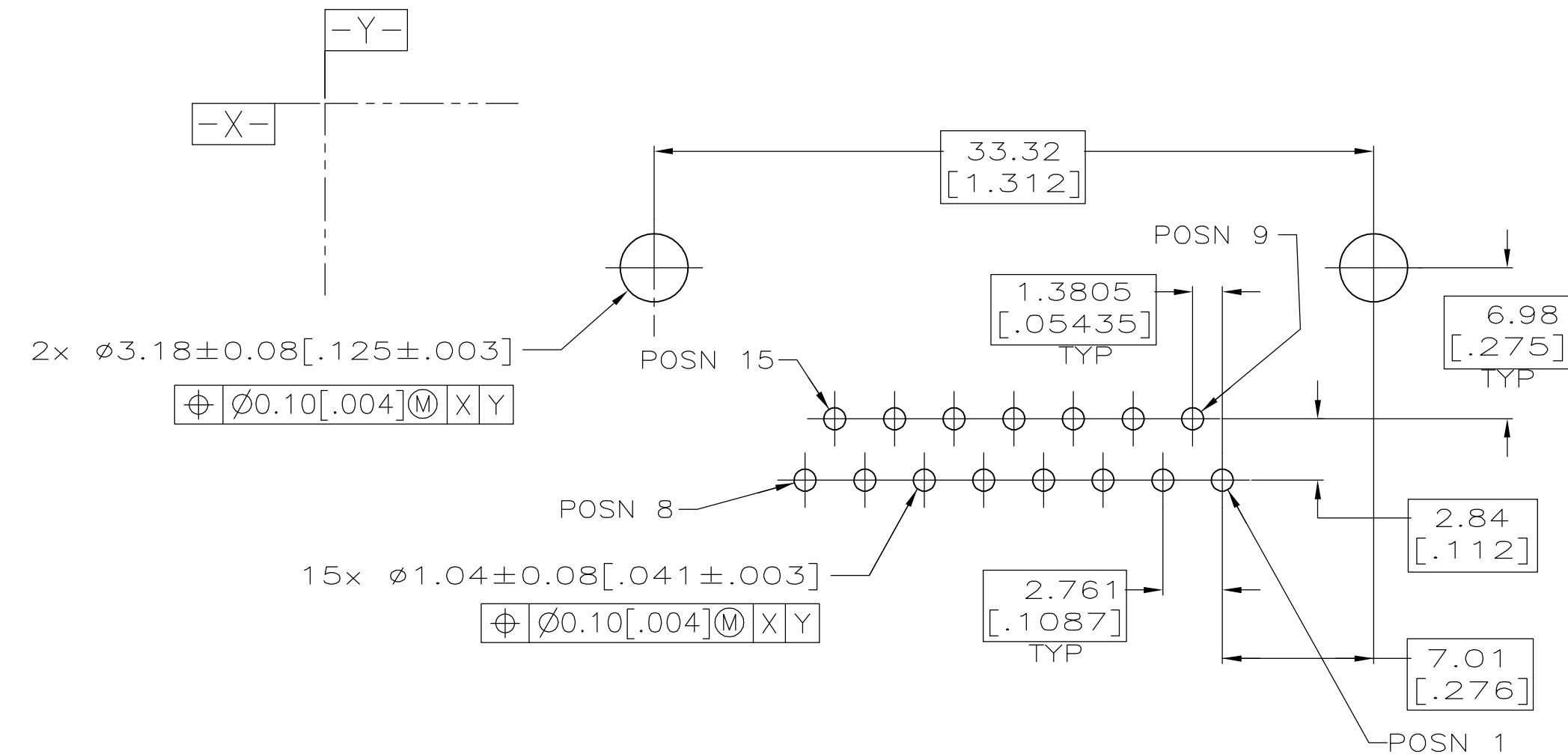
Email & Skype: info@chipsmall.com Web: www.chipsmall.com

Address: A1208, Overseas Decoration Building, #122 Zhenhua RD., Futian, Shenzhen, China

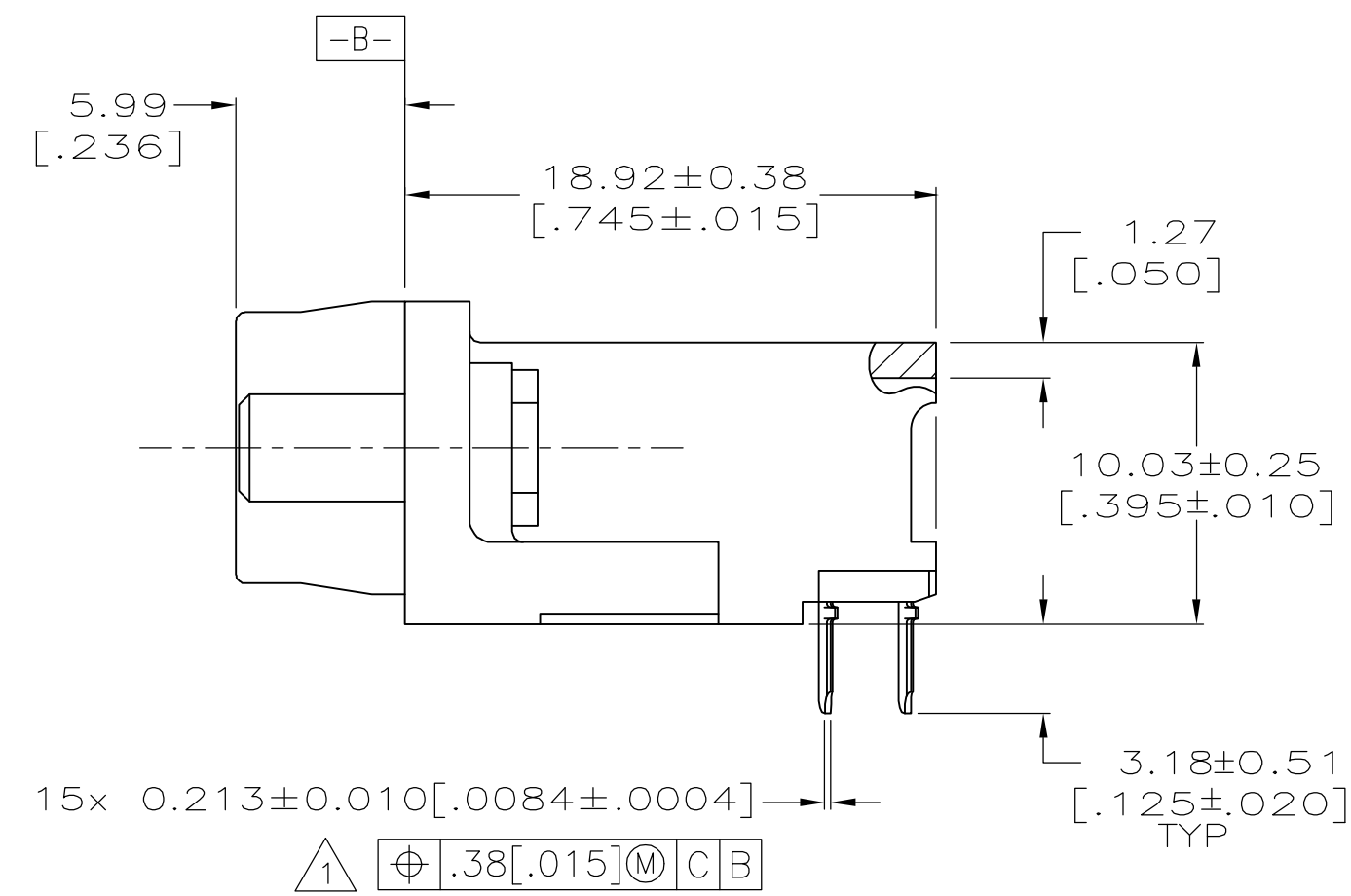
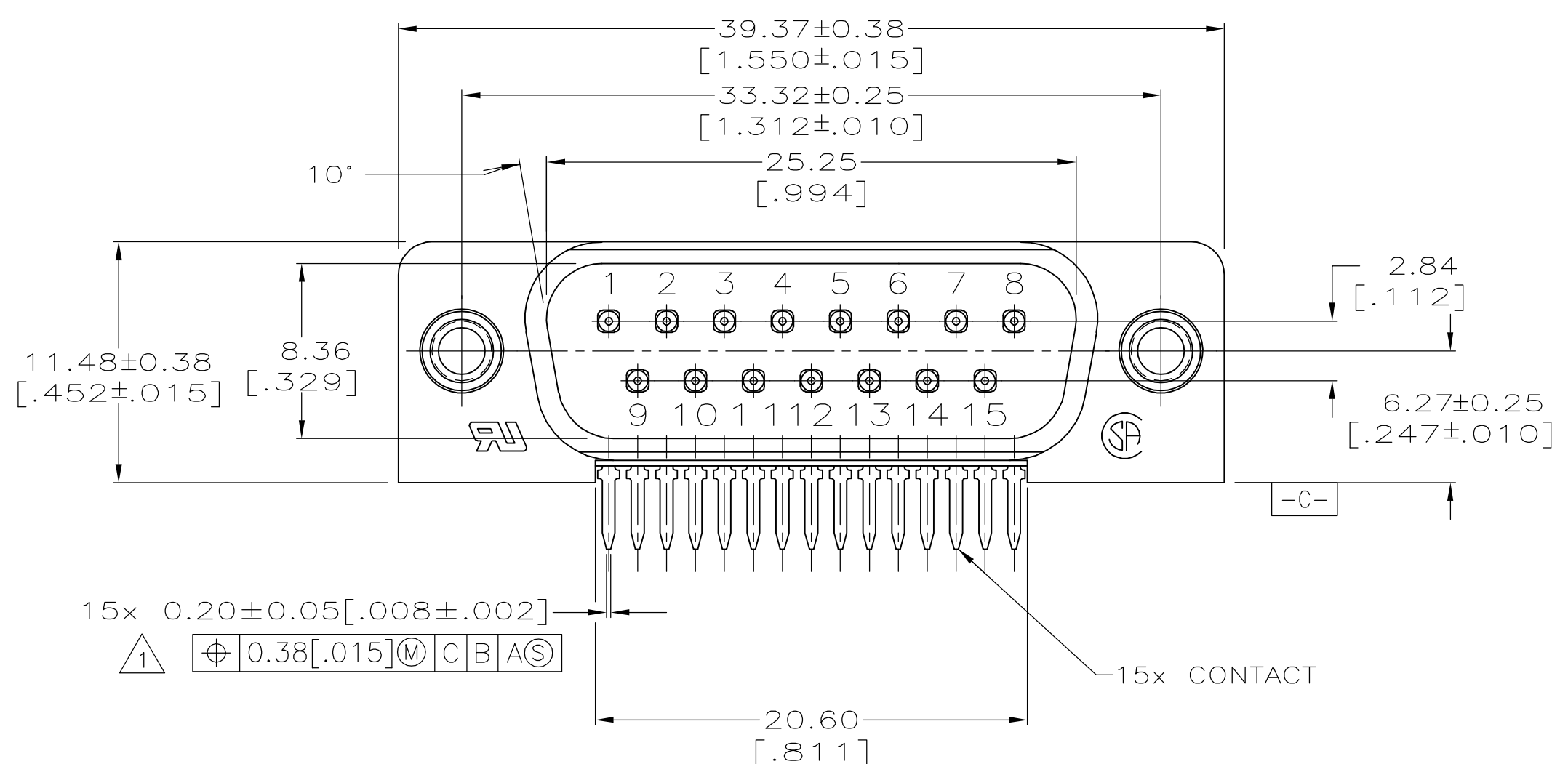




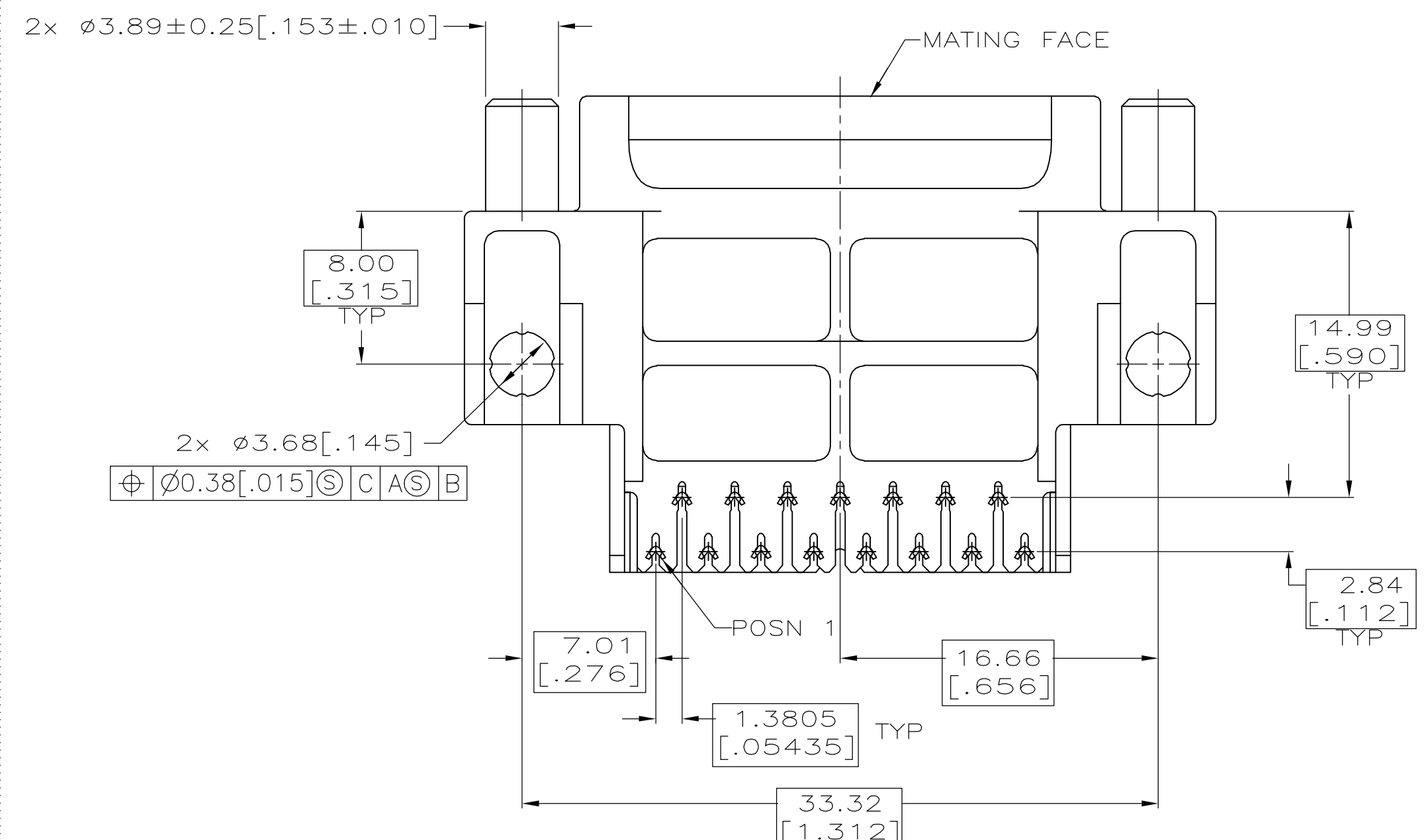
TYCO, PART NO & DATE CODE, MARKED IN AREA INDICATED



PC BOARD MOUNTING DIMENSIONS



- 1 POSITION TOLERANCE APPLIES AT TIP ONLY.
- 2 HOUSING: FLAME RETARDANT UL94-V RATED, GLASS FILLED NYLON OR POLYESTER, COLOR BLACK. CONTACTS: BRASS. SCREWLOCKS: ZINC.
- 3 CONTACTS: GOLD PLATED FOR A LENGTH OF 3.81 [.150] MIN FROM MATING END, 0.76 µm [.000030] MIN GOLD IN MATED AREA, 2.54 µm [.0001] MIN TIN FOR A LENGTH OF 3.68 [.145] FROM OPPOSITE END, BOTH OVER 1.27 µm [.000050] MIN NICKEL. SCREWLOCKS: CLEAR CHROMATE COATING.



**COPYRIGHT 2005  
 TYCO ELECTRONICS CORP  
 ALL RIGHTS RESERVED**

THIS DRAWING IS A CONTROLLED DOCUMENT.		DWN G.PETERS 22SEP05		Tyco Electronics Corporation Harrisburg, PA 17105-3608	
DIMENSIONS: mm [INCHES]		CHK S.BOLASH 22SEP05		NAME	PLUG ASSEMBLY, SIZE 2, 15 POSN, ALL PLASTIC, RIGHT ANGLE, .590 SERIES, AMPLIMITE III
TOLERANCES UNLESS OTHERWISE SPECIFIED:		APVD M.WALMSLEY 22SEP05	PRODUCT SPEC	108-1226	
0 PLC ± -		APPLICATION SPEC	114-40027		RESTRICTED TO
1 PLC ± -		SIZE	A1		REV
2 PLC ± 0.13 [005]		CAGE CODE	00779		REV
3 PLC ± -		DRAWING NO	C=5748952		REV
4 PLC ± -		WEIGHT	-		REV
ANGLES ± 2		CUSTOMER DRAWING	SCALE 4:1		SHEET 1 OF 1