



Chipsmall Limited consists of a professional team with an average of over 10 year of expertise in the distribution of electronic components. Based in Hongkong, we have already established firm and mutual-benefit business relationships with customers from,Europe,America and south Asia,supplying obsolete and hard-to-find components to meet their specific needs.

With the principle of “Quality Parts,Customers Priority,Honest Operation,and Considerate Service”,our business mainly focus on the distribution of electronic components. Line cards we deal with include Microchip,ALPS,ROHM,Xilinx,Pulse,ON,Everlight and Freescale. Main products comprise IC,Modules,Potentiometer,IC Socket,Relay,Connector.Our parts cover such applications as commercial,industrial, and automotives areas.

We are looking forward to setting up business relationship with you and hope to provide you with the best service and solution. Let us make a better world for our industry!



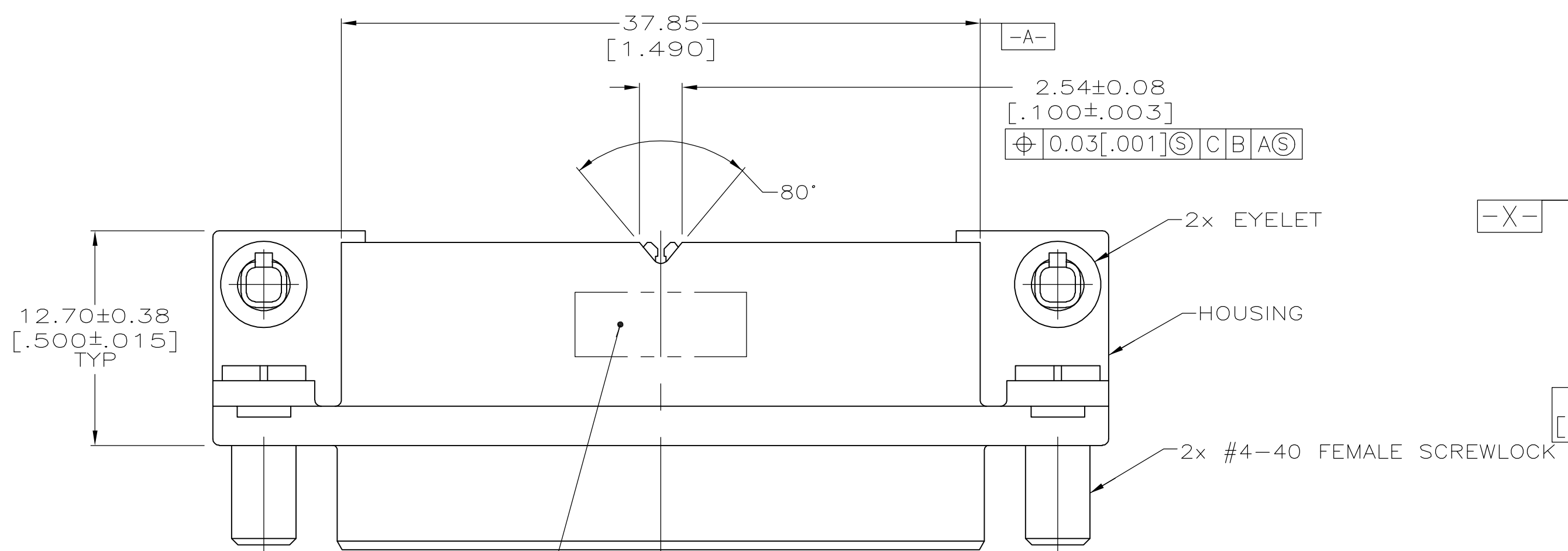
Contact us

Tel: +86-755-8981 8866 Fax: +86-755-8427 6832

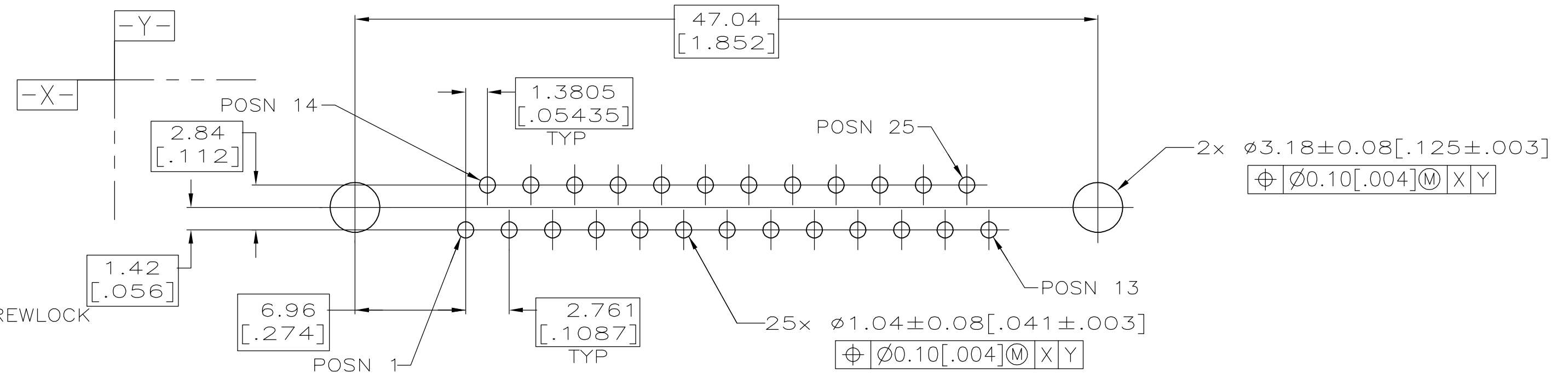
Email & Skype: info@chipsmall.com Web: www.chipsmall.com

Address: A1208, Overseas Decoration Building, #122 Zhenhua RD., Futian, Shenzhen, China

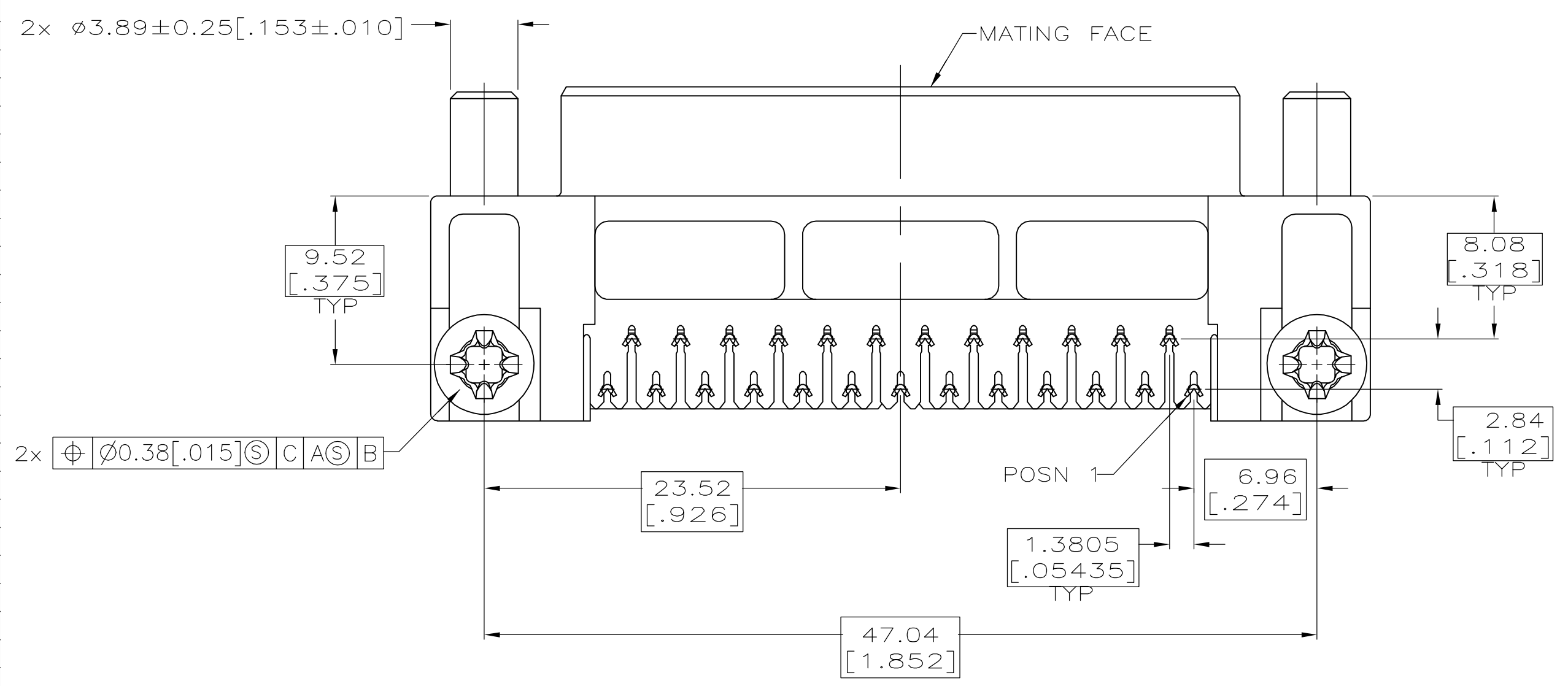
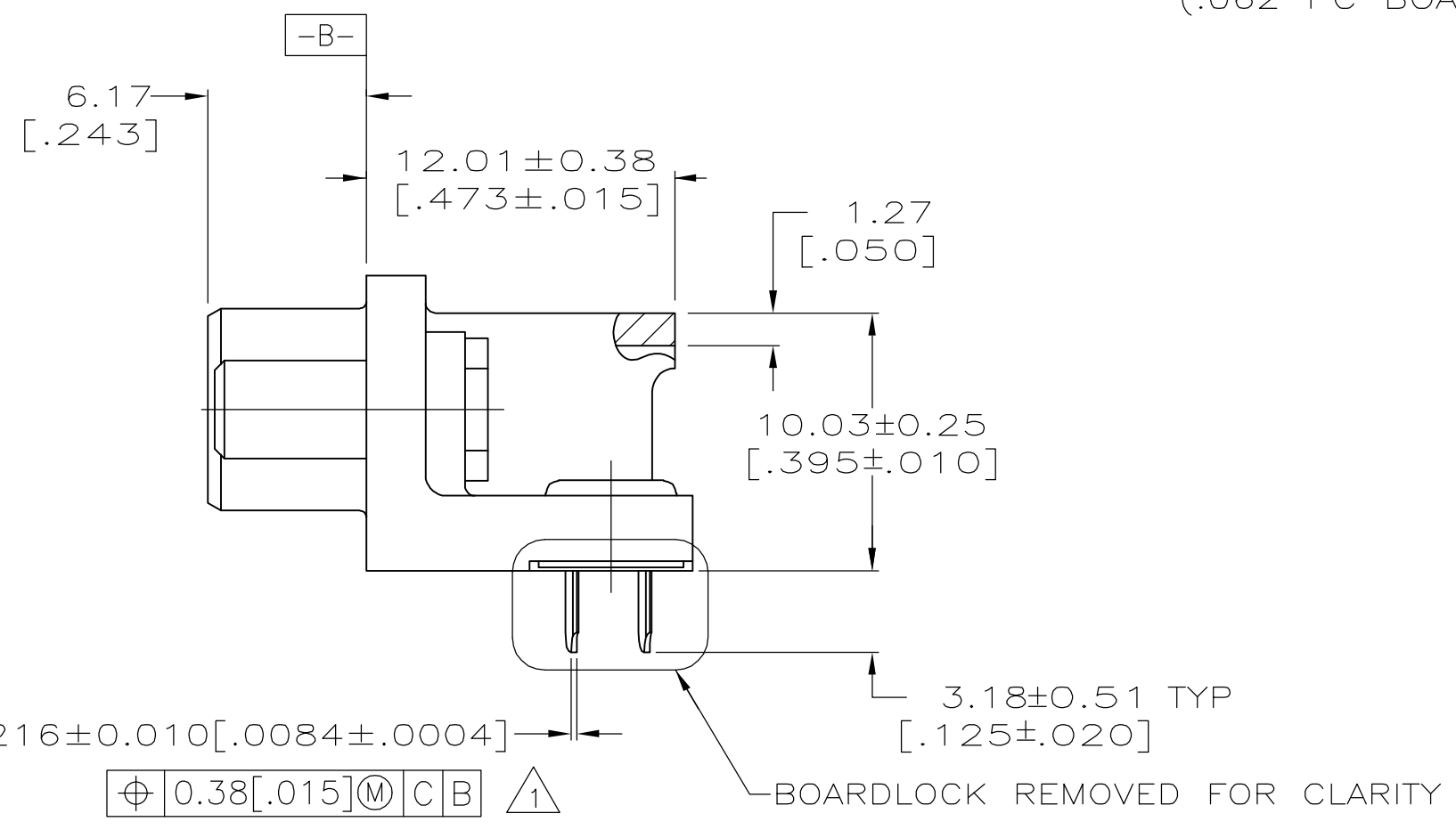
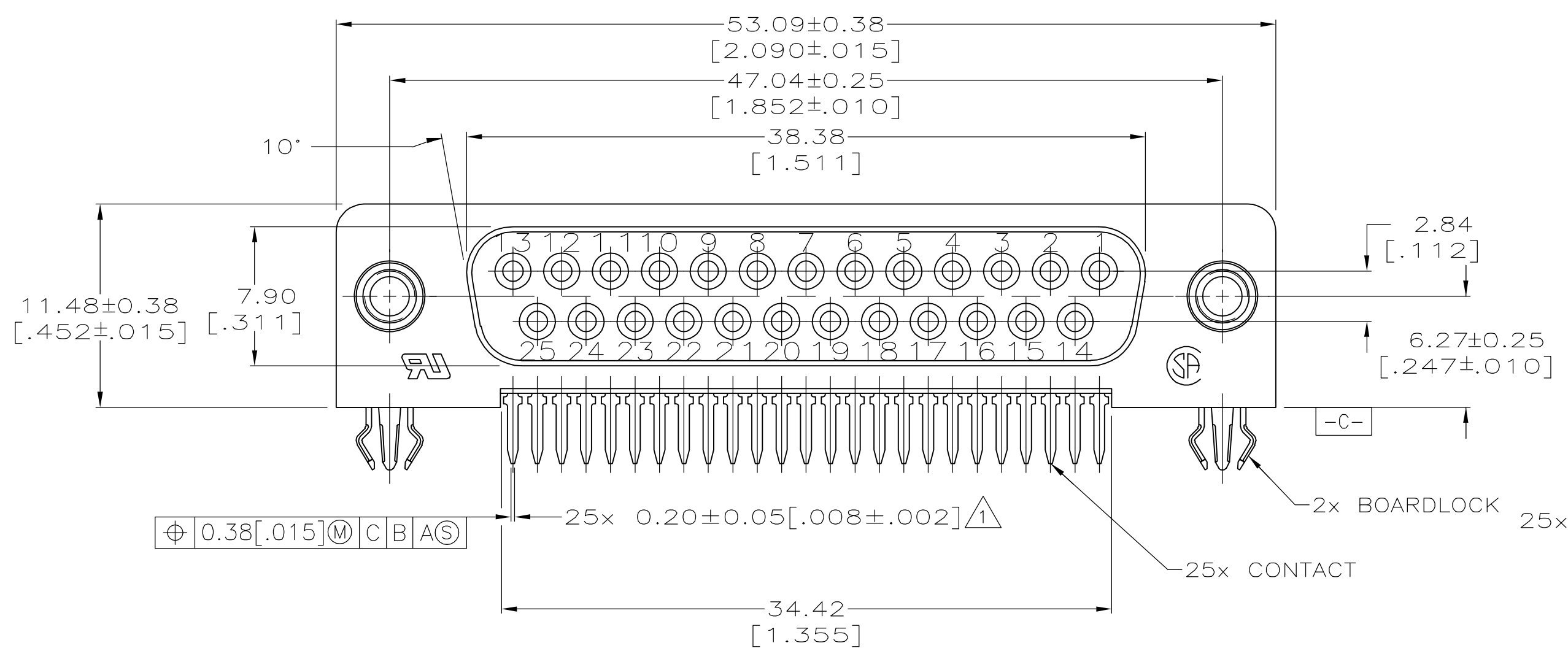




TYCO, PART NO & DATE CODE, MARKED IN AREA INDICATED
 CL OF DATUM A



PC BOARD MOUNTING DIMENSIONS
 (.062 PC BOARD THICKNESS)



- 1 POSITION TOLERANCE APPLIES AT TIP ONLY.
- 2 HOUSING: FLAME RETARDANT, UL94V-0 RATED, GLASS FILLED NYLON OR POLYESTER, COLOR BLACK.
 CONTACTS: PHOSPHOR BRONZE.
 EYELETS: BRASS.
 SCREWLOCKS: ZINC.
 BOARDLOCKS: COPPER ALLOY.
- 3 EYELETS: 2.54 μm [.000100] MIN TIN OVER COPPER FLASH.
 BOARDLOCKS: 3.81 μm [.00015] MIN TIN OVER 1.27 μm [.000050] MIN NICKEL.
 CONTACTS: 0.76 μm [.00030] MIN GOLD FOR A LENGTH OF 1.52 [.060] MIN FROM MATING END, 2.54 μm [.0001] MIN TIN FOR A LENGTH OF 3.68 [.145] MIN FROM OPPOSITE END, BOTH OVER 1.27 μm [.000050] MIN NICKEL.
 SCREWLOCKS: CLEAR CHROMATE COATING.

**COPYRIGHT 2005
 TYCO ELECTRONICS CORP
 ALL RIGHTS RESERVED**

THIS DRAWING IS A CONTROLLED DOCUMENT.		DWN G. PETERS 22SEP05	5748981-1
DIMENSIONS: mm [INCHES]		CHK S. BOLASH 22SEP05	PART NO
TOLERANCES UNLESS OTHERWISE SPECIFIED:		APVD M. WALMSLEY 22SEP05	5748981-1
0 PLC ± -	1 PLC ± -	NAME	RECEPTACLE ASSEMBLY, SIZE 3, 25
2 PLC ± 0.13 [.005]	3 PLC ± -	PRODUCT SPEC	POSN, ALL PLASTIC, RIGHT ANGLE
4 PLC ± -	ANGLES ± 2	APPLICATION SPEC	.318 SERIES, AMPLIMITE III
MATERIAL	FINISH	SIZE	CAGE CODE
		A1	00779
CUSTOMER DRAWING		DRAWING NO	5748981
		WEIGHT	-
		SCALE	4:1
		SHEET	1 OF 1
		REV	0