



Chipsmall Limited consists of a professional team with an average of over 10 year of expertise in the distribution of electronic components. Based in Hongkong, we have already established firm and mutual-benefit business relationships with customers from,Europe,America and south Asia,supplying obsolete and hard-to-find components to meet their specific needs.

With the principle of “Quality Parts,Customers Priority,Honest Operation,and Considerate Service”,our business mainly focus on the distribution of electronic components. Line cards we deal with include Microchip,ALPS,ROHM,Xilinx,Pulse,ON,Everlight and Freescale. Main products comprise IC,Modules,Potentiometer,IC Socket,Relay,Connector.Our parts cover such applications as commercial,industrial, and automotives areas.

We are looking forward to setting up business relationship with you and hope to provide you with the best service and solution. Let us make a better world for our industry!



Contact us

Tel: +86-755-8981 8866 Fax: +86-755-8427 6832

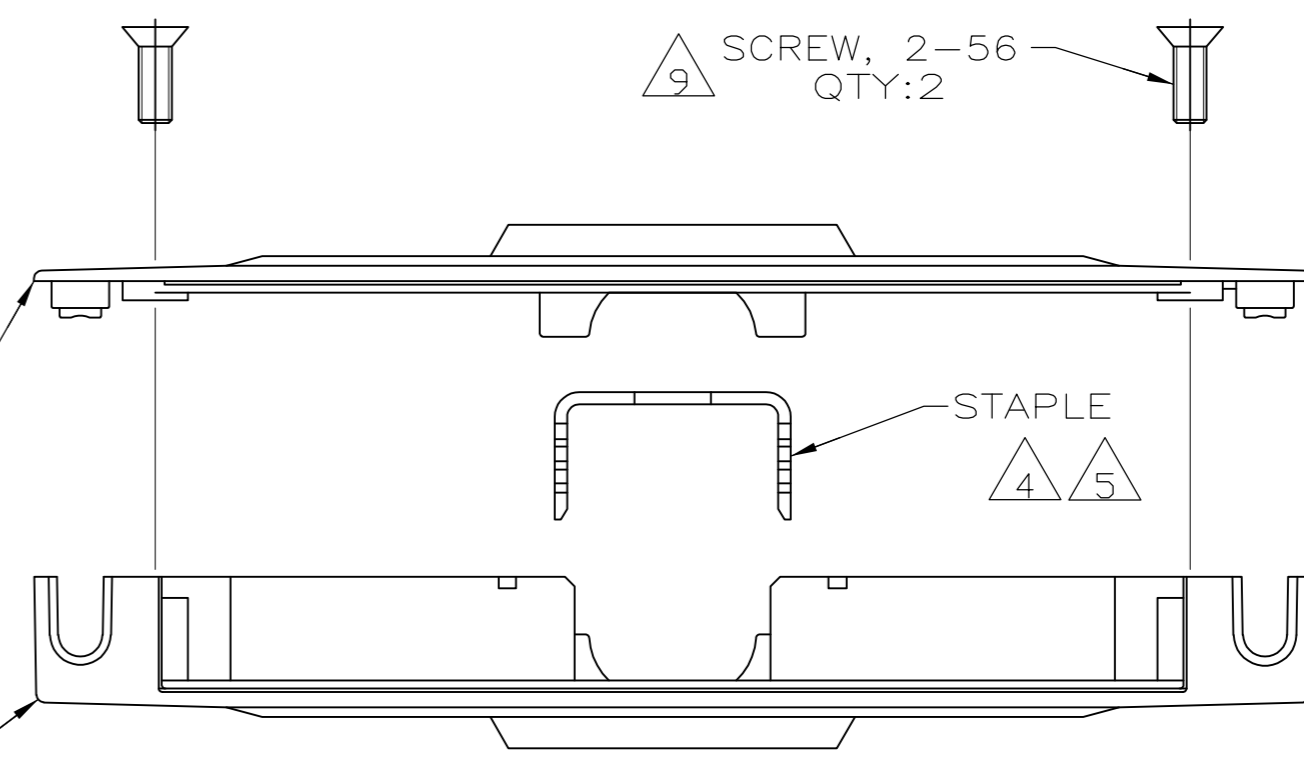
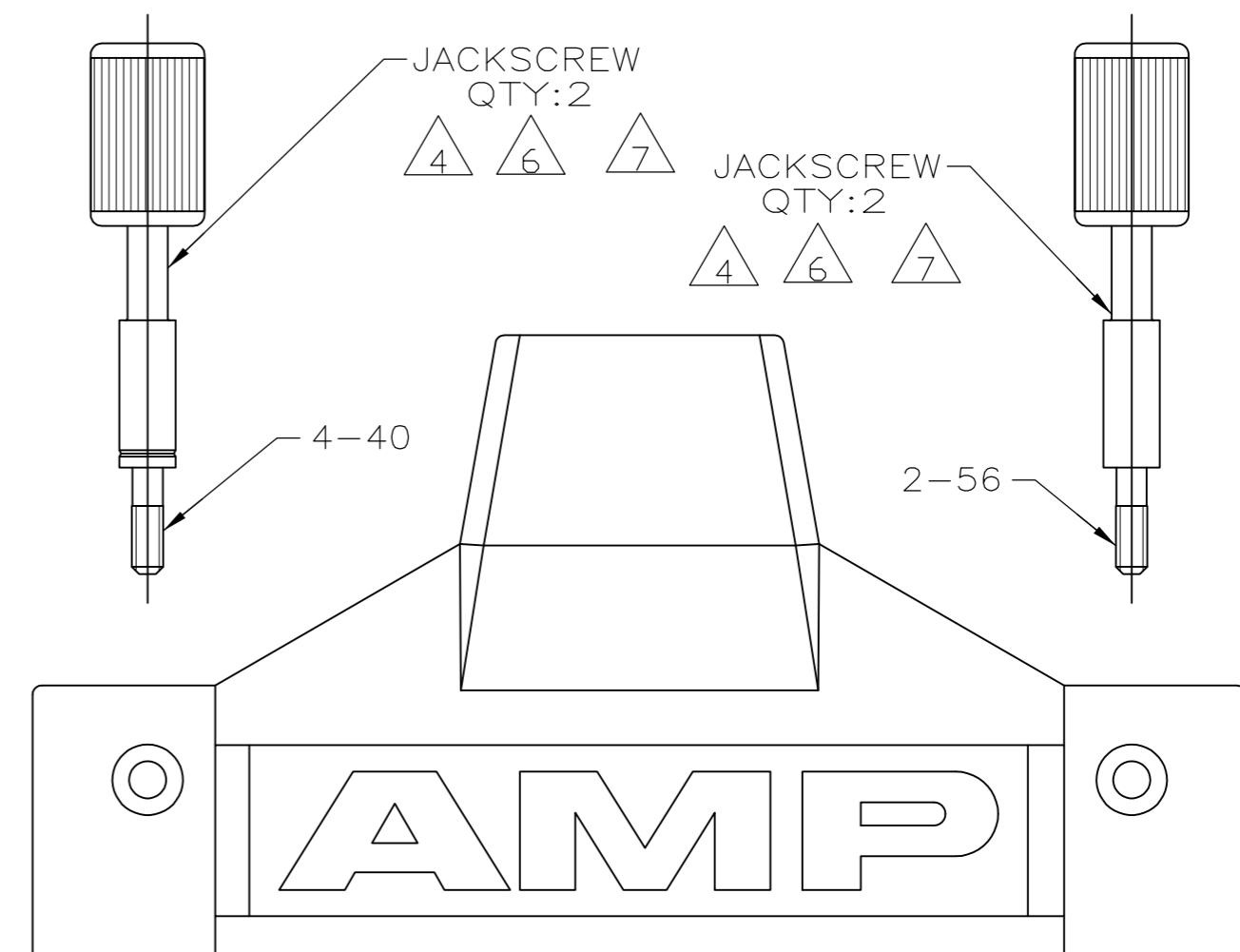
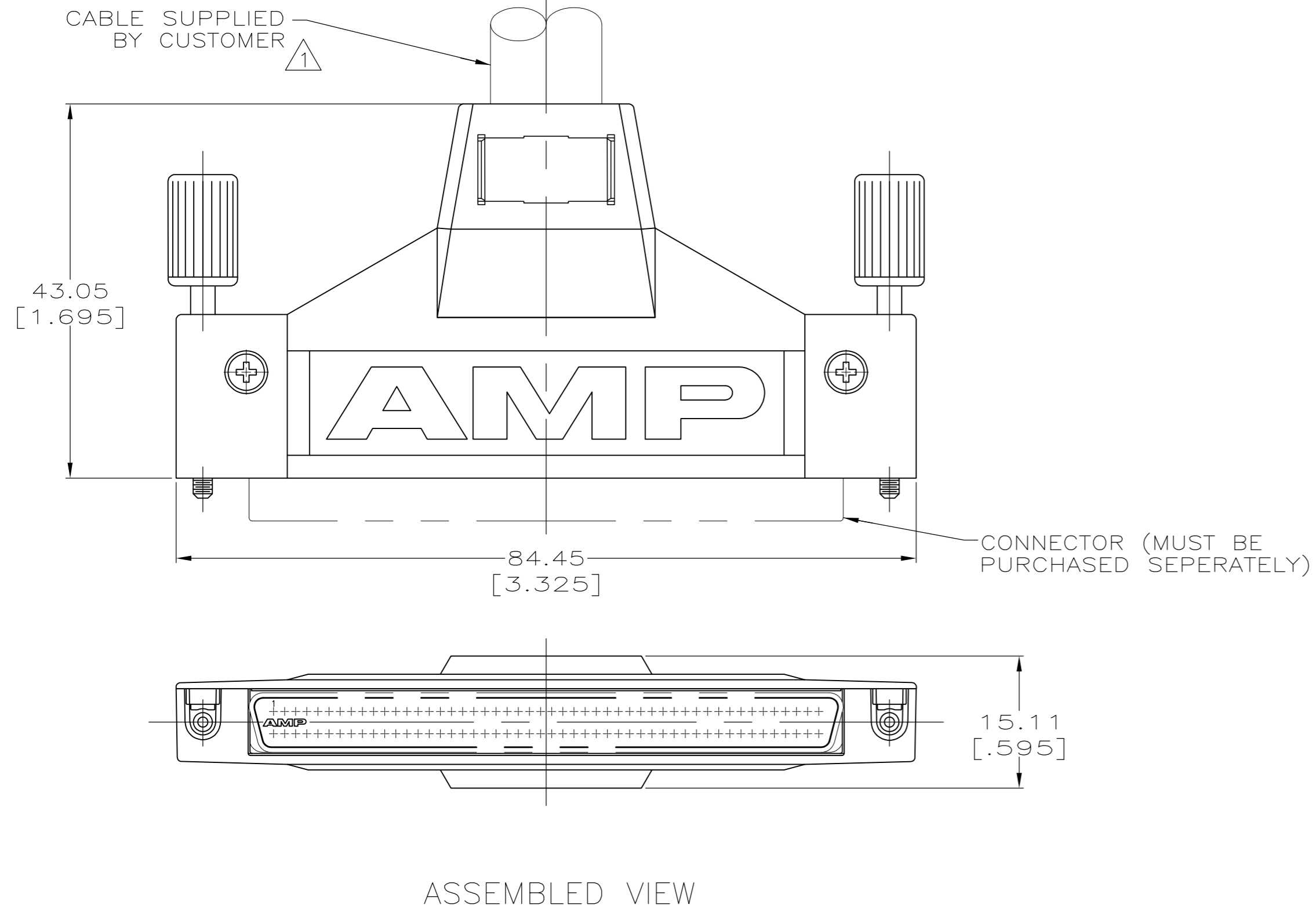
Email & Skype: info@chipsmall.com Web: www.chipsmall.com

Address: A1208, Overseas Decoration Building, #122 Zhenhua RD., Futian, Shenzhen, China



THIS DRAWING IS UNPUBLISHED. RELEASED FOR PUBLICATION
 © COPYRIGHT - By - ALL RIGHTS RESERVED.

LOC		DIST		REVISIONS			
P	LTR	DESCRIPTION	DATE	DWN	APVD		
GP	00						
	R	REVISED PER ECO-11-012218	14JUL2011	CJV	SLB		



- 1 12.70 [.500] MAX CABLE DIA.
- 2 ZINC.
- 3 NICKEL PLATED.
- 4 STEEL.
- 5 BRIGHT TIN PLATED.
- 6 POLYPROPYLENE OR NYLON, UL94V-0 RATED, BLACK.
- 7 BLACK ZINC PLATED.
- 8 PARTS PACKAGED AS A UNIT KIT.
- 9 STAINLESS STEEL.

THIS DRAWING IS A CONTROLLED DOCUMENT.		DWN	G.PETERS	25AUG05
DIMENSIONS: INCHES		CHK	S.SHUEY	25AUG05
TOLERANCES UNLESS OTHERWISE SPECIFIED:		APVD	M.WALMSLEY	25AUG05
0 PLC	± -	PRODUCT SPEC		
1 PLC	± -	APPLICATION SPEC		
2 PLC	± 0.38 [.015]			
3 PLC	± -			
4 PLC	± -			
ANGLES	± -			
MATERIAL	FINISH	WEIGHT		
-	-	-		

4-40	5749081-2		
2-56	5749081-1		
JACKSCREW THREAD	PART NO.		
TE TE Connectivity			
NAME: INDIVIDUAL KIT, BACKSHELLS WITH MALE JACKSCREWS, 100 POSITION AMPLIMITE .050 SERIES			
SIZE	CAGE CODE	DRAWING NO	RESTRICTED TO
A2	00779	C=5749081	-
CUSTOMER DRAWING		SCALE	SHEET
		2:1	1 of 1
		REV	R