



Chipsmall Limited consists of a professional team with an average of over 10 year of expertise in the distribution of electronic components. Based in Hongkong, we have already established firm and mutual-benefit business relationships with customers from,Europe,America and south Asia,supplying obsolete and hard-to-find components to meet their specific needs.

With the principle of “Quality Parts,Customers Priority,Honest Operation,and Considerate Service”,our business mainly focus on the distribution of electronic components. Line cards we deal with include Microchip,ALPS,ROHM,Xilinx,Pulse,ON,Everlight and Freescale. Main products comprise IC,Modules,Potentiometer,IC Socket,Relay,Connector.Our parts cover such applications as commercial,industrial, and automotives areas.

We are looking forward to setting up business relationship with you and hope to provide you with the best service and solution. Let us make a better world for our industry!



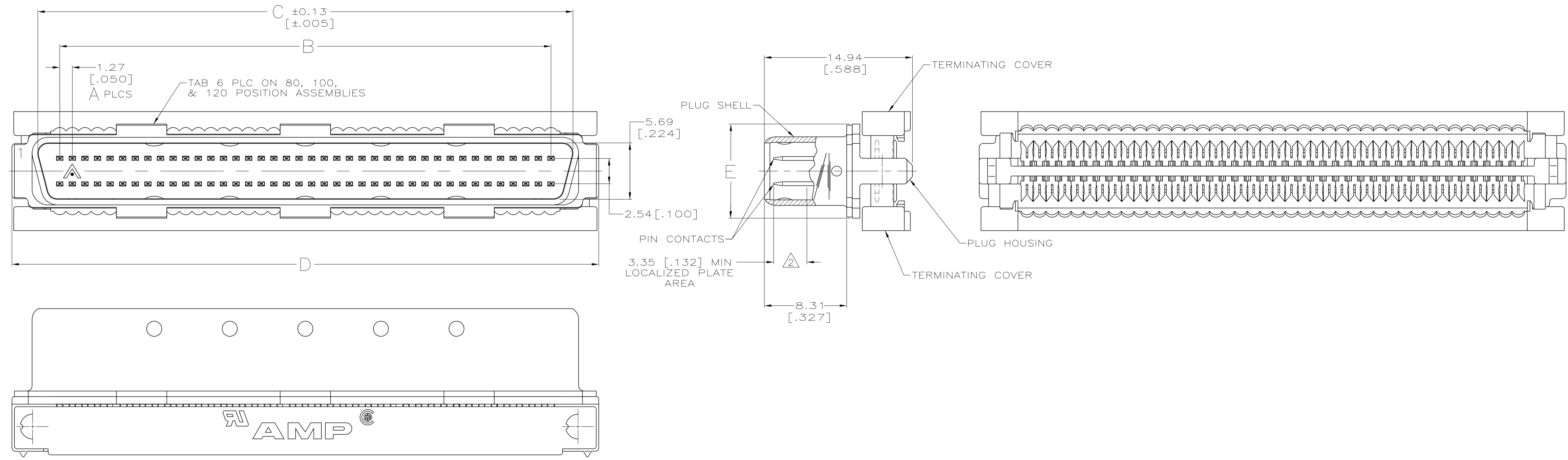
## Contact us

Tel: +86-755-8981 8866 Fax: +86-755-8427 6832

Email & Skype: info@chipsmall.com Web: www.chipsmall.com

Address: A1208, Overseas Decoration Building, #122 Zhenhua RD., Futian, Shenzhen, China





- 1 MATERIAL:  
PIN CONTACTS - PHOSPHOR BRONZE.  
PLUG SHELL - STEEL.  
PLUG HOUSING & TERMINATING COVERS - UL V-O RATED THERMOPLASTIC; COLOR: BLACK.
- 2 FINISH:  
PIN CONTACTS - EITHER 0.76µm [.000030] MIN GOLD PLATE OR GOLD FLASH OVER PALLADIUM NICKEL PLATE, 0.76µm [.000030] MIN TOTAL IN LOCALIZED PLATE AREA, 3.00µm [.000118] MIN TIN IN TERMINATION AREA, ALL OVER 1.27µm [.000050] MIN NICKEL.  
PLUG SHELL - 0.25µm [.000010] MIN TIN-NICKEL OVER 3.81µm [.000150] MIN NICKEL OVER 2.54µm [.000100] MIN COPPER.
- 3 RECOMMENDED WIRE: 28 AWG OR 30 AWG, SOLID OR 7 STRAND, PVC INSULATION WITH A 0.74-0.91 [.029-.036] INSULATION DIAMETER.

OBSOLETE	2	7.44 [.293]	24.87 [.979]	19.61 [.772]	15.24 [.600]	12	26	1-5749111-0	
	2	9.47 [.373]	84.56 [3.329]	79.30 [3.122]	74.93 [2.950]	59	120	5749111-9	
	2	9.47 [.373]	71.86 [2.829]	66.60 [2.622]	62.23 [2.450]	49	100	5749111-8	
	2	9.47 [.373]	59.16 [2.329]	53.90 [2.122]	49.53 [1.950]	39	80	5749111-7	
	2	7.44 [.293]	51.54 [2.029]	46.28 [1.822]	41.91 [1.650]	33	68	5749111-6	
	2	7.44 [.293]	40.11 [1.579]	34.85 [1.372]	30.48 [1.200]	24	50	5749111-4	
	2	7.44 [.293]	33.76 [1.329]	28.50 [1.122]	24.13 [.950]	19	40	5749111-3	
	2	7.44 [.293]	21.06 [.829]	15.80 [.622]	11.43 [.450]	9	20	5749111-1	
	FINISH		E	D	C	B	A	NO OF POSN	PART NO

THIS DRAWING IS A CONTROLLED DOCUMENT.

DIMENSIONS: mm [INCHES]	TOLERANCES UNLESS OTHERWISE SPECIFIED:	DIN G. ATTADIA - 02-23-05 CIRK J. GFRACE 02-23-05 APVD M. WALMSLEY 02-23-05	NAME PLUG ASSEMBLY, AMPLIMITE .050 Series
0 PLC ± - 1 PLC ± - 2 PLC ± 0.38 [.015] 3 PLC ± - 4 PLC ± - ANGLES ± -	SEE TABLE	SIZE 114-40029	RESTRICTED TO
MATERIAL 1	FINISH	WEIGHT -	SCALE 5:1 SHEET 1 OF 1 REV F

CUSTOMER DRAWING