



Chipsmall Limited consists of a professional team with an average of over 10 year of expertise in the distribution of electronic components. Based in Hongkong, we have already established firm and mutual-benefit business relationships with customers from,Europe,America and south Asia,supplying obsolete and hard-to-find components to meet their specific needs.

With the principle of "Quality Parts,Customers Priority,Honest Operation,and Considerate Service",our business mainly focus on the distribution of electronic components. Line cards we deal with include Microchip,ALPS,ROHM,Xilinx,Pulse,ON,Everlight and Freescale. Main products comprise IC,Modules,Potentiometer,IC Socket,Relay,Connector.Our parts cover such applications as commercial,industrial, and automotives areas.

We are looking forward to setting up business relationship with you and hope to provide you with the best service and solution. Let us make a better world for our industry!



Contact us

Tel: +86-755-8981 8866 Fax: +86-755-8427 6832

Email & Skype: info@chipsmall.com Web: www.chipsmall.com

Address: A1208, Overseas Decoration Building, #122 Zhenhua RD., Futian, Shenzhen, China



4

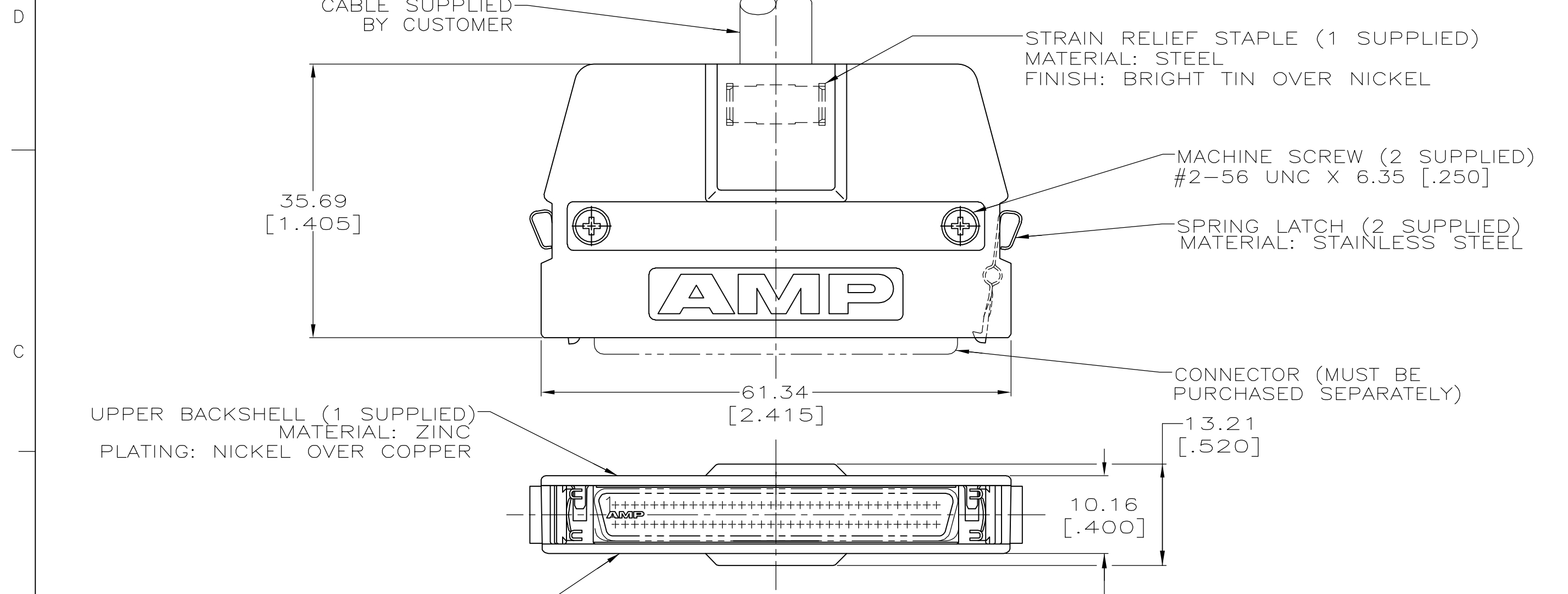
3

2

1

THIS DRAWING IS UNPUBLISHED. RELEASED FOR PUBLICATION
© COPYRIGHT BY TYCO ELECTRONICS CORPORATION. ALL RIGHTS RESERVED.

LOC	DIST	REVISIONS					
GP	00	P	LTR	DESCRIPTION	DATE	DWN	APVD
			0	RELEASED PER EC OS13-0001-05	25AUG05	GP	JG



CABLE SUPPLIED BY CUSTOMER

STRAIN RELIEF STAPLE (1 SUPPLIED)
MATERIAL: STEEL
FINISH: BRIGHT TIN OVER NICKEL

MACHINE SCREW (2 SUPPLIED)
#2-56 UNC X 6.35 [.250]

SPRING LATCH (2 SUPPLIED)
MATERIAL: STAINLESS STEEL

CONNECTOR (MUST BE PURCHASED SEPARATELY)

UPPER BACKSHELL (1 SUPPLIED)
MATERIAL: ZINC
PLATING: NICKEL OVER COPPER

LOWER BACKSHELL (1 SUPPLIED)
MATERIAL: ZINC
PLATING: NICKEL OVER COPPER

**COPYRIGHT 2005
TYCO ELECTRONICS CORP
ALL RIGHTS RESERVED**

1 11.18 [.440] MAX CABLE DIA
2. PARTS PACKAGED AS A UNIT KIT.

5749195-2
PART NO

THIS DRAWING IS A CONTROLLED DOCUMENT.		DWN G.PETERS	25AUG05	tyco Electronics	Tyco Electronics Corporation Harrisburg, Pa 17105-3608			
DIMENSIONS: mm [INCHES]		CHK S.SHUEY	25AUG05		NAME INDIVIDUAL KIT, UNASSEMBLED, 68 POSITION, STRAIGHT EXIT, UNKEYED, AMPLIMITE .050 Series			
TOLERANCES UNLESS OTHERWISE SPECIFIED:		APVD M.WALMSLEY	25AUG05	PRODUCT SPEC		APPLICATION SPEC		RESTRICTED TO
0 PLC ± -				SIZE	CAGE CODE	DRAWING NO	RESTRICTED TO	
1 PLC ± -				A3	00779	C-5749195	-	
2 PLC ± -				CUSTOMER DRAWING				
3 PLC ± 0.38[.015]				SCALE	1:1	SHEET	1 OF 1	
4 PLC ± -				REV				
ANGLES ± -				0				
MATERIAL -								
FINISH -								