



Chipsmall Limited consists of a professional team with an average of over 10 year of expertise in the distribution of electronic components. Based in Hongkong, we have already established firm and mutual-benefit business relationships with customers from,Europe,America and south Asia,supplying obsolete and hard-to-find components to meet their specific needs.

With the principle of “Quality Parts,Customers Priority,Honest Operation,and Considerate Service”,our business mainly focus on the distribution of electronic components. Line cards we deal with include Microchip,ALPS,ROHM,Xilinx,Pulse,ON,Everlight and Freescale. Main products comprise IC,Modules,Potentiometer,IC Socket,Relay,Connector.Our parts cover such applications as commercial,industrial, and automotives areas.

We are looking forward to setting up business relationship with you and hope to provide you with the best service and solution. Let us make a better world for our industry!



Contact us

Tel: +86-755-8981 8866 Fax: +86-755-8427 6832

Email & Skype: info@chipsmall.com Web: www.chipsmall.com

Address: A1208, Overseas Decoration Building, #122 Zhenhua RD., Futian, Shenzhen, China



4

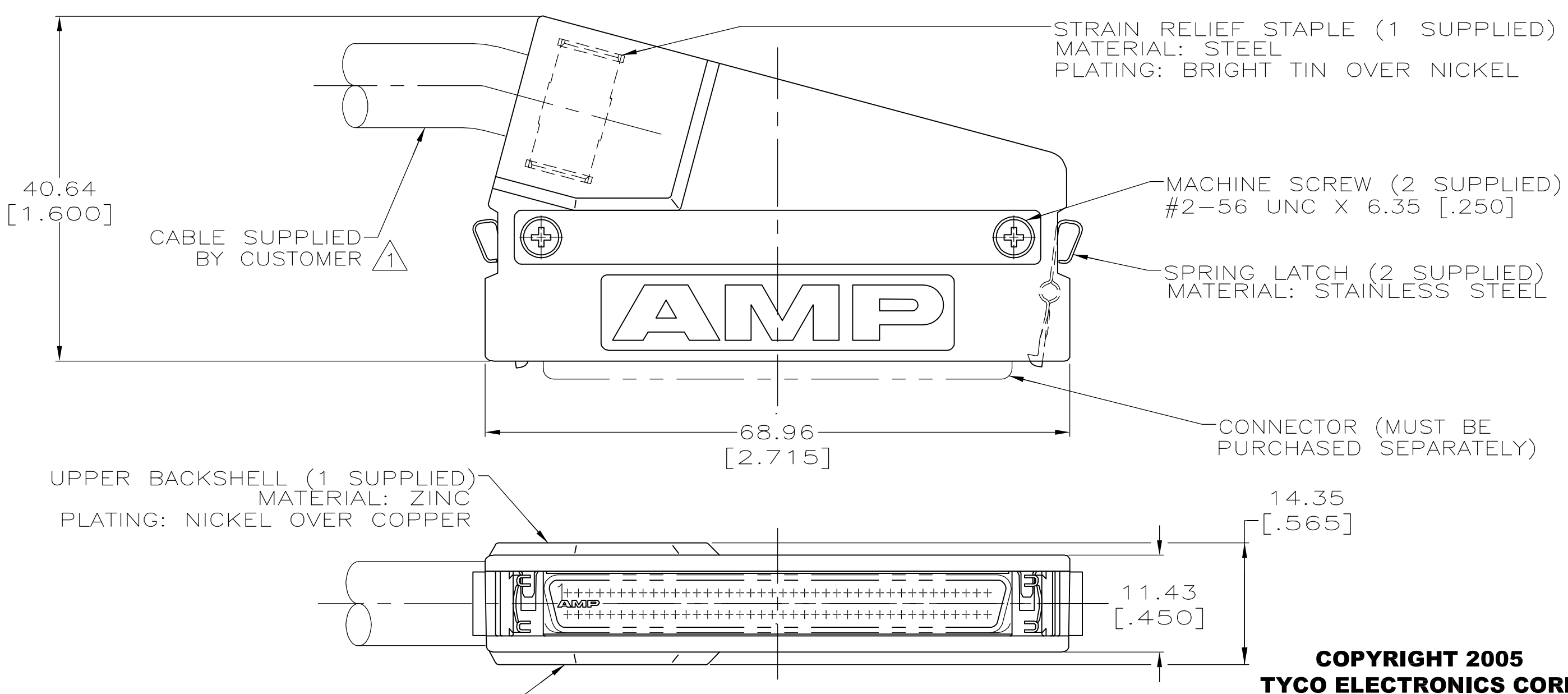
3

2

1

THIS DRAWING IS UNPUBLISHED. RELEASED FOR PUBLICATION
 © COPYRIGHT BY TYCO ELECTRONICS CORPORATION. ALL RIGHTS RESERVED.

LOC	DIST	REVISIONS					
GP	00	P	LTR	DESCRIPTION	DATE	DWN	APVD
		0		RELEASED PER EC OS13-0001-05	26AUG05	GP	JG



**COPYRIGHT 2005
 TYCO ELECTRONICS CORP
 ALL RIGHTS RESERVED**

5749205-1
 PART NO

1 10.67 [.420] MAX CABLE DIA
 2. PARTS PACKAGED AS A UNIT KIT.

THIS DRAWING IS A CONTROLLED DOCUMENT.		DWN G.PETERS 26AUG05	Tyco Electronics Corporation Harrisburg, PA 17105-3608	
DIMENSIONS: INCHES		CHK S.SHUEY 26AUG05		
TOLERANCES UNLESS OTHERWISE SPECIFIED:		APVD M.WALMSLEY 26AUG05	NAME	
0 PLC ± -		PRODUCT SPEC	INDIVIDUAL KIT, UNASSEMBLED, 80 POSITION, 75 DEG EXIT, UNKEYED, AMPLIMITE .050 Series	
1 PLC ± -		APPLICATION SPEC	SIZE	CAGE CODE
2 PLC ± -		WEIGHT	A3	00779
3 PLC ± 0.38 [.015]		CUSTOMER DRAWING	DRAWING NO C-5749205	
4 PLC ± -		SCALE	1:1	SHEET 1 OF 1
ANGLES ± -		RESTRICTED TO	REV 0	
FINISH				