



Chipsmall Limited consists of a professional team with an average of over 10 year of expertise in the distribution of electronic components. Based in Hongkong, we have already established firm and mutual-benefit business relationships with customers from,Europe,America and south Asia,supplying obsolete and hard-to-find components to meet their specific needs.

With the principle of "Quality Parts,Customers Priority,Honest Operation,and Considerate Service",our business mainly focus on the distribution of electronic components. Line cards we deal with include Microchip,ALPS,ROHM,Xilinx,Pulse,ON,Everlight and Freescale. Main products comprise IC,Modules,Potentiometer,IC Socket,Relay,Connector.Our parts cover such applications as commercial,industrial, and automotives areas.

We are looking forward to setting up business relationship with you and hope to provide you with the best service and solution. Let us make a better world for our industry!



## Contact us

Tel: +86-755-8981 8866 Fax: +86-755-8427 6832

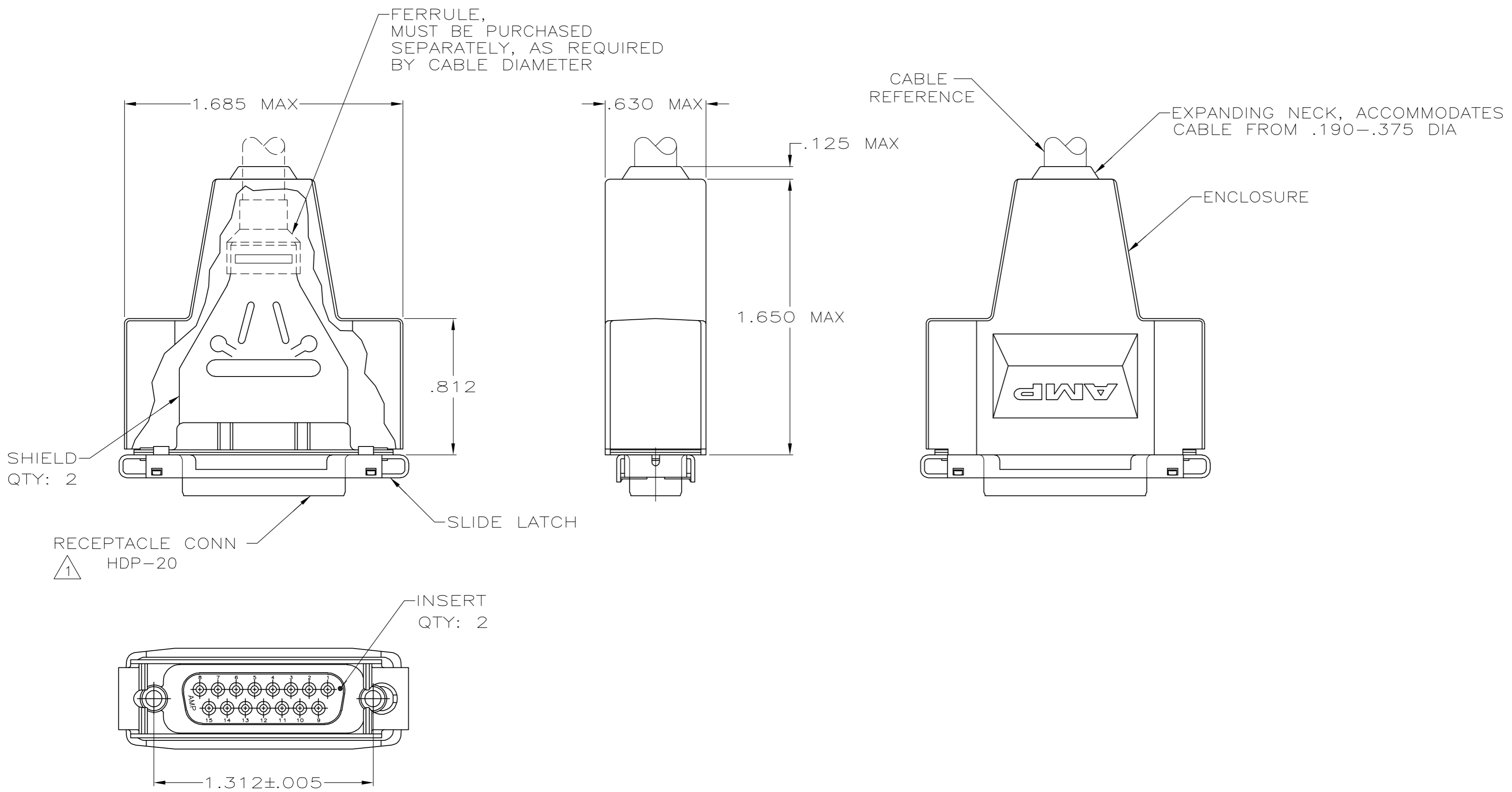
Email & Skype: info@chipsmall.com Web: www.chipsmall.com

Address: A1208, Overseas Decoration Building, #122 Zhenhua RD., Futian, Shenzhen, China



THIS DRAWING IS UNPUBLISHED. RELEASED FOR PUBLICATION  
 © COPYRIGHT BY TYCO ELECTRONICS CORPORATION. ALL RIGHTS RESERVED.

LOC	DIST	REVISIONS			
P	LTR	DESCRIPTION	DATE	DWN	APVD
GP	00	01	REVISED PER ECO-06-007631	12SEP06	JDP/CWR



- ① RECEPTACLE ACCEPTS SIZE 20 DF SOCKET CONTACTS. CONTACTS MUST BE PURCHASED SEPARATELY.
- 2. ALL PARTS SHIPPED UNASSEMBLED.
- 3. COMPONENTS INDIVIDUALLY BULK PACKAGED.
- ④ ENCLOSURE: ELASTOMER, STYRENE POLYOLEFIN, OR PVC, BLACK.
- ⑤ SLIDE LATCH: STAINLESS STEEL PER ASTM A167.
- ⑥ INSERTS: FLAME RETARDANT, 94V-0 RATED, GLASS FILLED, NYLON, BLACK.
- ⑦ SHIELDS & SHELLS: CARBON STEEL PER ASTM A109.
- ⑧ SHELLS & SHIELDS: .000200 MIN TIN PLATE OVER .000050 MIN COPPER UNDERPLATE.

5749246-1  
 PART NUMBER

THIS DRAWING IS A CONTROLLED DOCUMENT.		DWN	11-11-04	 Tyco Electronics Corporation Harrisburg, PA 17105-3608
DIMENSIONS: INCHES		G. ATTADIA - DOCK5	11-11-04	
TOLERANCES UNLESS OTHERWISE SPECIFIED:		CHK	11-11-04	NAME SHIELDING ENCLOSURE KIT, RECEPTACLE, SIZE 2, 15 POSITION, WITH PREASSEMBLED SLIDE LATCH, AMPLIMITE, HDP-20
0 PLC ± -		J. GERACE	11-11-04	
1 PLC ± -		APVD	11-11-04	PRODUCT SPEC APPLICATION SPEC 114-40030
2 PLC ± -		M. WALMSLEY	11-11-04	
3 PLC ± .020		SIZE		CAGE CODE 00779
4 PLC ± -		DRAWING NO		
ANGLES ± -		DRAWING NO		RESTRICTED TO -
FINISH		SCALE		
MATERIAL		SCALE		SHEET 1 of 1
④⑤⑥⑦⑧		2:1		
CUSTOMER DRAWING		REV		01