



Chipsmall Limited consists of a professional team with an average of over 10 year of expertise in the distribution of electronic components. Based in Hongkong, we have already established firm and mutual-benefit business relationships with customers from,Europe,America and south Asia,supplying obsolete and hard-to-find components to meet their specific needs.

With the principle of "Quality Parts,Customers Priority,Honest Operation,and Considerate Service",our business mainly focus on the distribution of electronic components. Line cards we deal with include Microchip,ALPS,ROHM,Xilinx,Pulse,ON,Everlight and Freescale. Main products comprise IC,Modules,Potentiometer,IC Socket,Relay,Connector.Our parts cover such applications as commercial,industrial, and automotives areas.

We are looking forward to setting up business relationship with you and hope to provide you with the best service and solution. Let us make a better world for our industry!



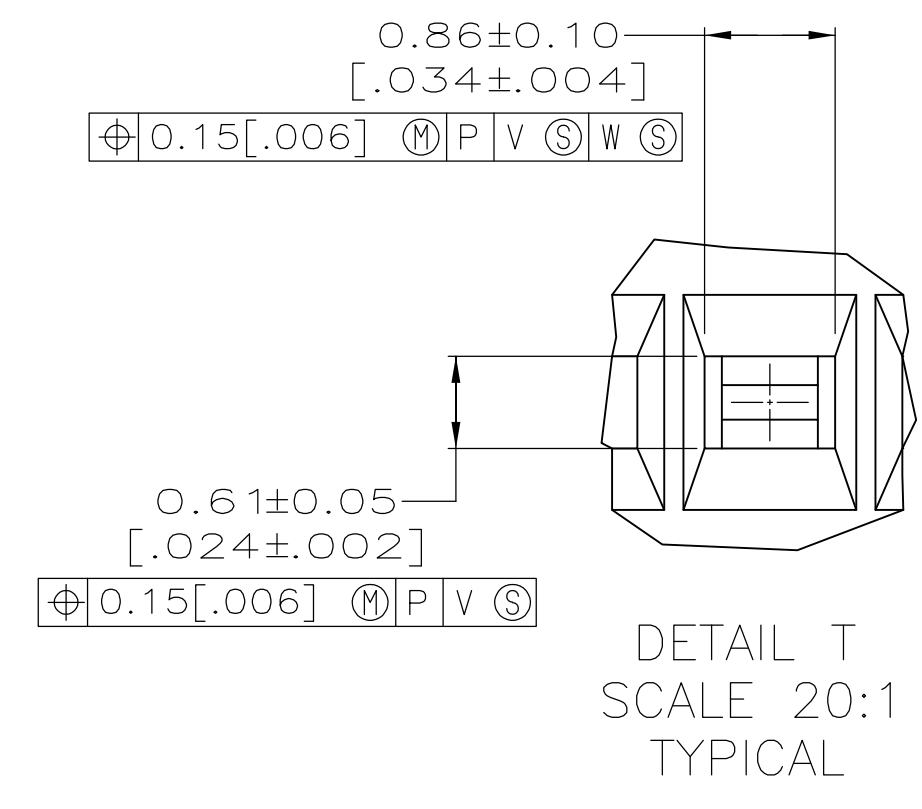
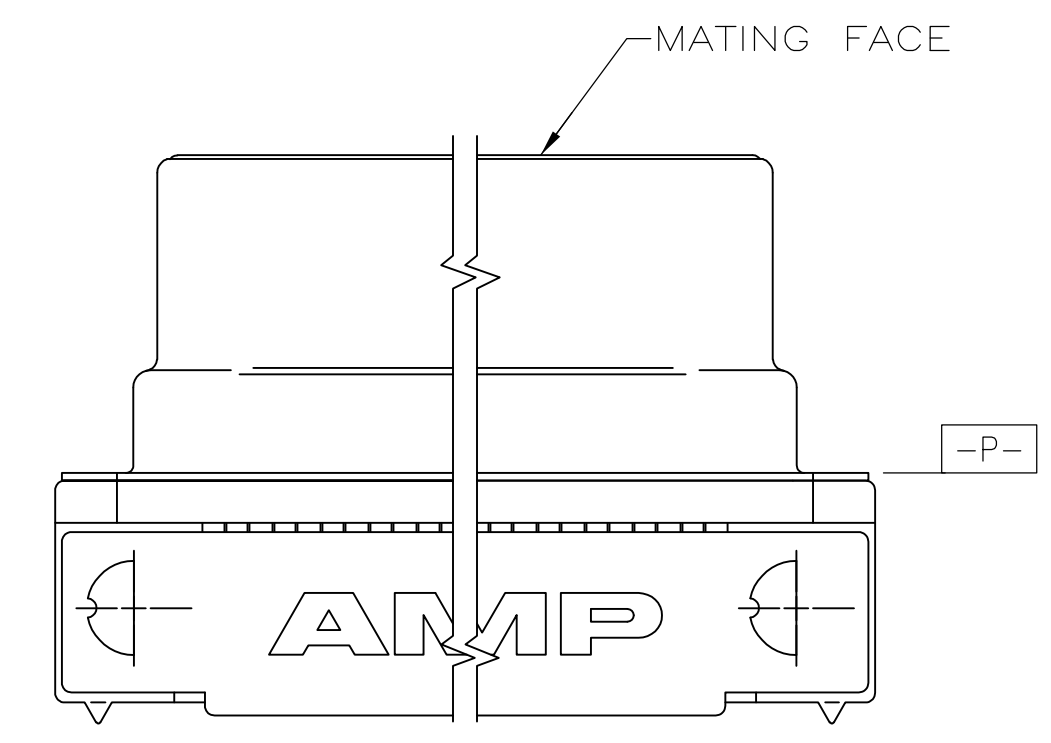
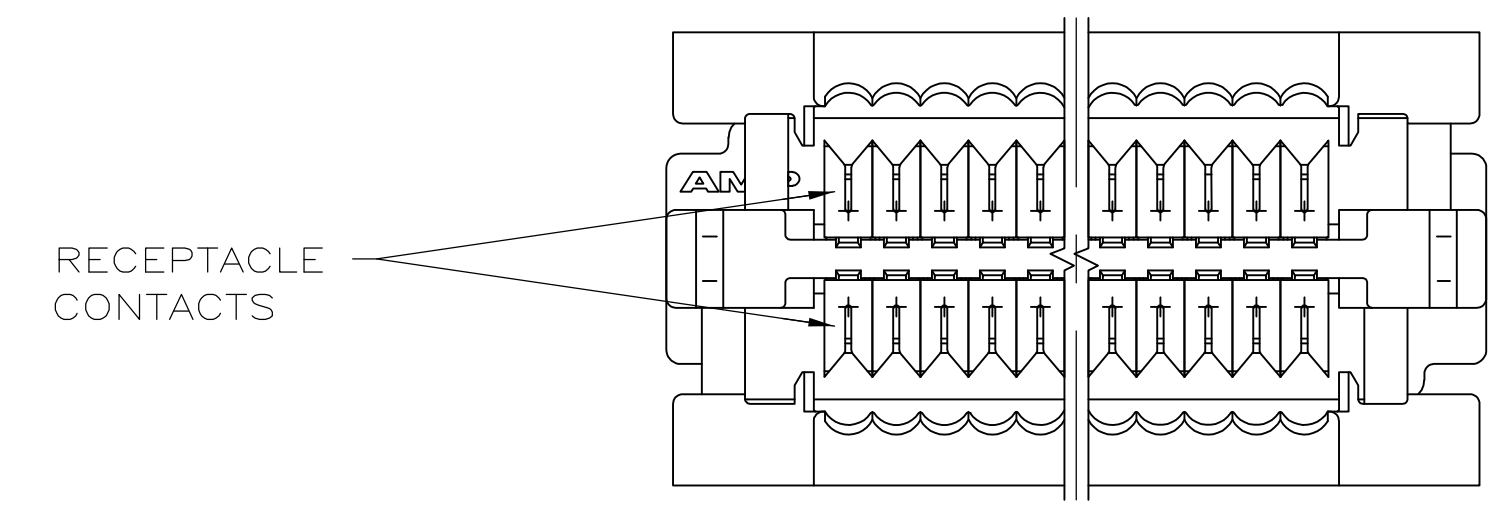
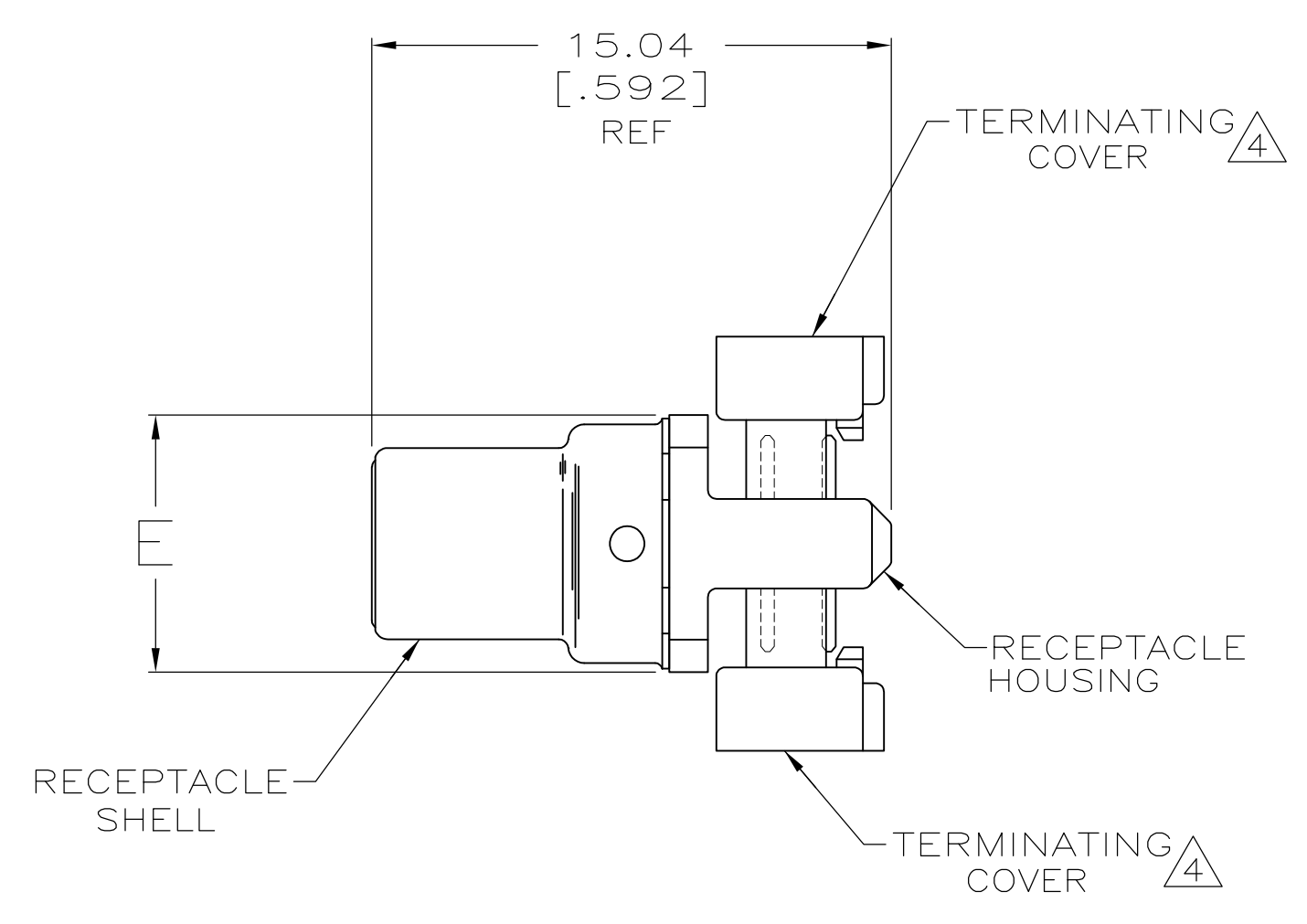
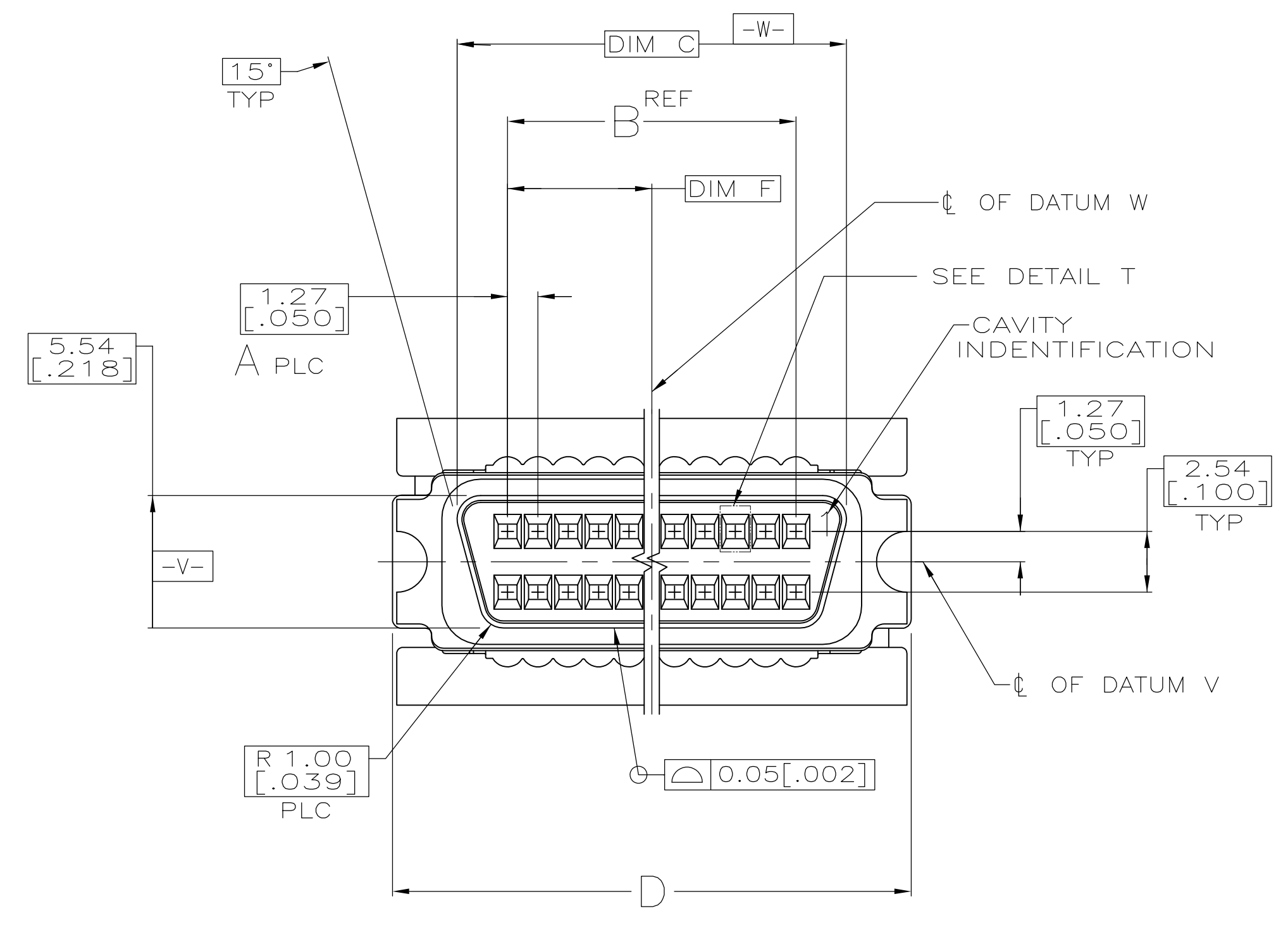
## Contact us

Tel: +86-755-8981 8866 Fax: +86-755-8427 6832

Email & Skype: info@chipsmall.com Web: www.chipsmall.com

Address: A1208, Overseas Decoration Building, #122 Zhenhua RD., Futian, Shenzhen, China





- 1 MATERIAL:  
RECEPTACLE CONTACTS- PHOSPHOR BRONZE  
RECEPTACLE SHELL- STEEL  
RECEPTACLE HOUSING AND TERMINATING COVERS- UL V-0 RATED THERMOPLASTIC, COLOR: BLACK.
- 2 FINISH:  
RECEPTACLE CONTACTS - EITHER 0.76µm [.000030] MINIMUM GOLD PLATE OR GOLD FLASH OVER PALLADIUM NICKEL PLATE, 0.76µm [.000030] MINIMUM TOTAL IN CONTACT AREA, 1.27µm [.000050] MINIMUM BRIGHT TIN PLATE IN TERMINATION AREA, ALL OVER 1.27µm [.000050] MINIMUM NICKEL.  
RECEPTACLE SHELL- 5.08µm [.000200] MINIMUM BRIGHT NICKEL PLATE OVER 1.27µm [.000050] MINIMUM COPPER.
- 3. RECOMMENDED WIRE: 28 AWG OR 30 AWG, SOLID OR 7 STRANDED, PVC INSULATION WITH A 0.74-0.91 [.029-.036] INSULATION DIA.
- 4 TERMINATING COVERS ARE PACKAGED SEPERATELY.

|          |                  |                |                  |                  |                  |    |            |           |
|----------|------------------|----------------|------------------|------------------|------------------|----|------------|-----------|
| OBSOLETE | 31.12<br>[1.225] | 9.47<br>[.373] | 71.86<br>2.829   | 64.45<br>[2.616] | 62.23<br>[2.450] | 49 | 100        | 5749699-8 |
|          | 20.96<br>[.825]  | 7.44<br>[.293] | 51.54<br>[2.029] | 46.13<br>[1.816] | 41.91<br>[1.650] | 33 | 68         | 5749699-7 |
|          | 15.24<br>[.600]  | 7.44<br>[.293] | 40.11<br>[1.579] | 34.70<br>[1.366] | 30.48<br>[1.200] | 24 | 50         | 5749699-5 |
|          | 12.06<br>[.475]  | 7.44<br>[.293] | 33.76<br>[1.329] | 28.35<br>[1.116] | 24.13<br>[.950]  | 19 | 40         | 5749699-4 |
|          | F                | E              | D                | C                | B                | A  | NO OF POSN | PART NO   |

**COPYRIGHT 2005  
TE CONNECTIVITY CORP  
ALL RIGHTS RESERVED**

THIS DRAWING IS A CONTROLLED DOCUMENT.

|                            |  |  |                             |            |
|----------------------------|--|--|-----------------------------|------------|
| DIMENSIONS:<br>mm [INCHES] | TOLERANCES UNLESS OTHERWISE SPECIFIED: | DIN G. ATTADIA - 02-23-05<br>S. SHUEY - 02-23-05 | APVD M. WALMSLEY - 02-23-05 | NAME       |
| 0. PLC ± -                 | 1. PLC ± -                             | 2. PLC ± 0.13 [.005]                             | 3. PLC ± -                  | 4. PLC ± - |
| MATERIAL                   |  | FINISH   |                             | STE        |
| CUSTOMER DRAWING           |  | SCALE 4:1  | SHEET 1 OF 1                | REV D      |

TE Connectivity  
KIT, RECEPTACLE CABLE CONNECTOR ASSEMBLY, AMPLIMITE .050 Series

108-1228  
114-40029  
A1 00779 ©=5749699