



Chipsmall Limited consists of a professional team with an average of over 10 year of expertise in the distribution of electronic components. Based in Hongkong, we have already established firm and mutual-benefit business relationships with customers from,Europe,America and south Asia,supplying obsolete and hard-to-find components to meet their specific needs.

With the principle of “Quality Parts,Customers Priority,Honest Operation,and Considerate Service”,our business mainly focus on the distribution of electronic components. Line cards we deal with include Microchip,ALPS,ROHM,Xilinx,Pulse,ON,Everlight and Freescale. Main products comprise IC,Modules,Potentiometer,IC Socket,Relay,Connector.Our parts cover such applications as commercial,industrial, and automotives areas.

We are looking forward to setting up business relationship with you and hope to provide you with the best service and solution. Let us make a better world for our industry!



Contact us

Tel: +86-755-8981 8866 Fax: +86-755-8427 6832

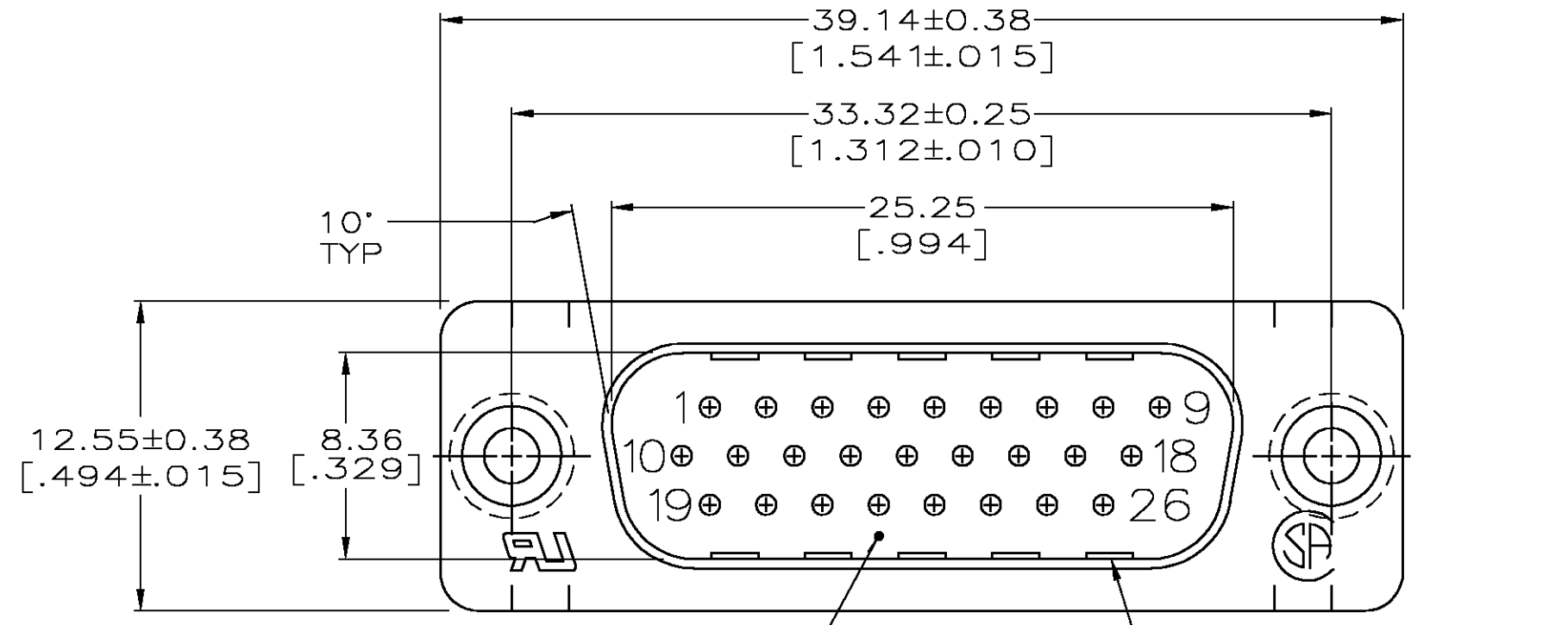
Email & Skype: info@chipsmall.com Web: www.chipsmall.com

Address: A1208, Overseas Decoration Building, #122 Zhenhua RD., Futian, Shenzhen, China

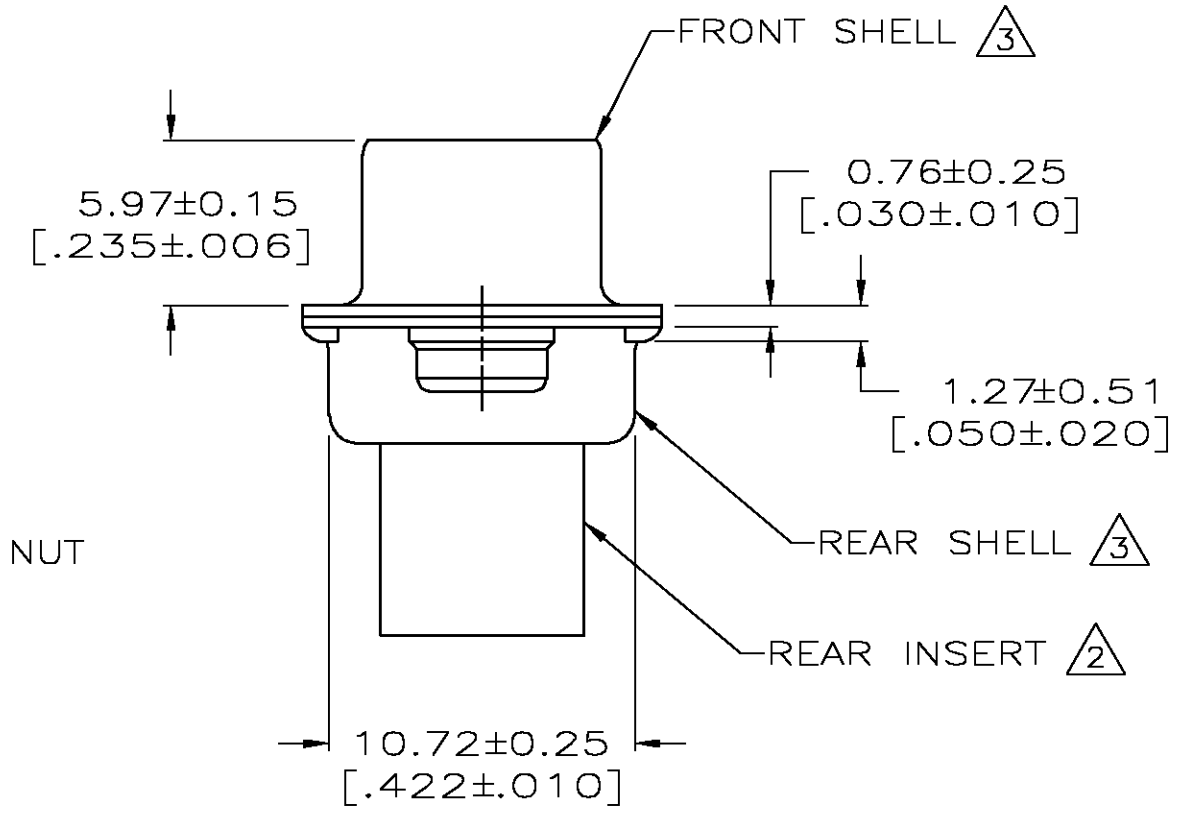
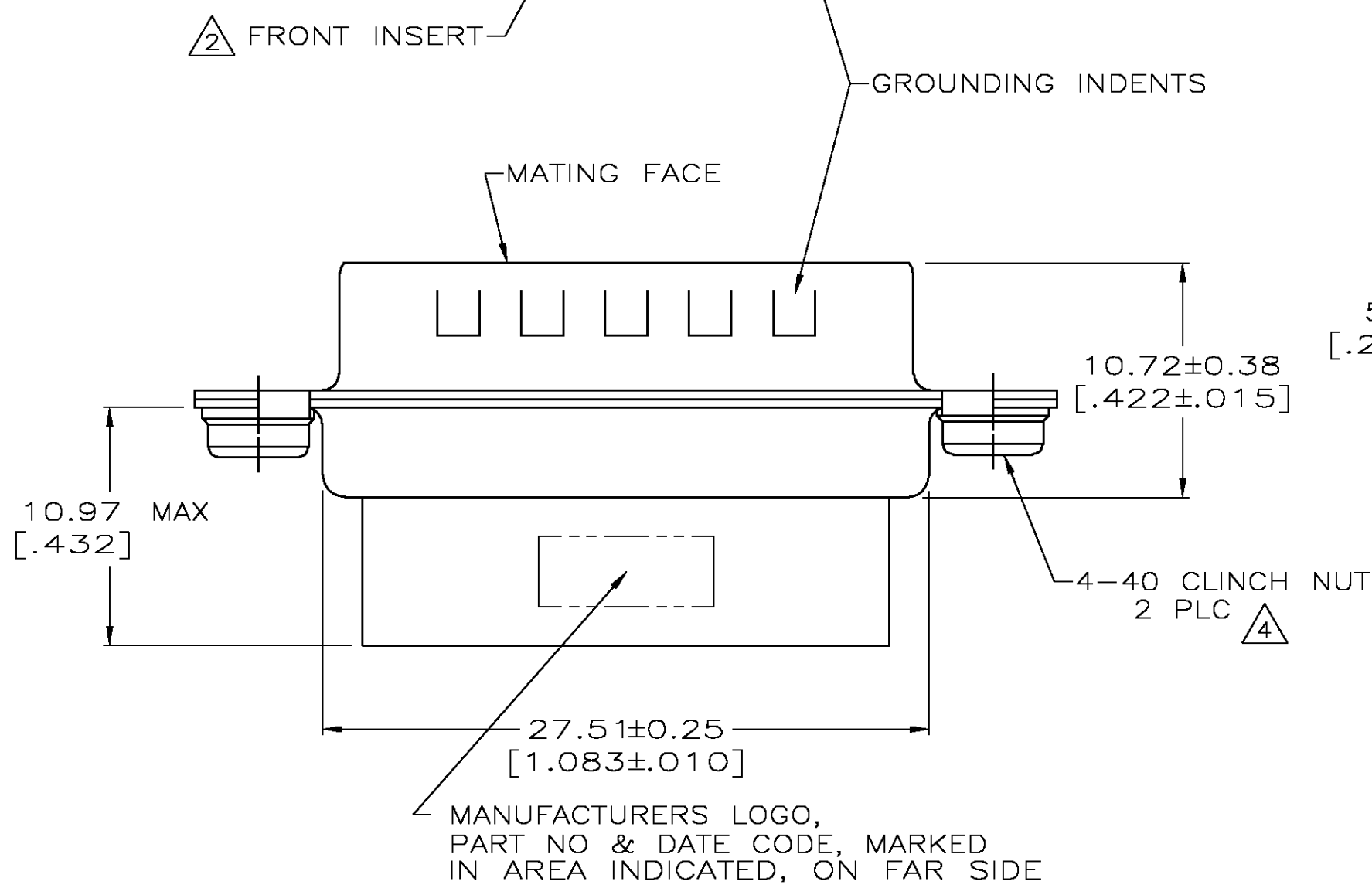


THIS DRAWING IS UNPUBLISHED. RELEASED FOR PUBLICATION
 © COPYRIGHT BY TYCO ELECTRONICS CORPORATION. ALL RIGHTS RESERVED.

LOC	DIST	REVISIONS			
P	LTR	DESCRIPTION	DATE	DWN	APVD
GP	00	0	RELEASED PER EC 0513-0257-04	11-11-04	GA JG



- CONNECTOR ACCEPTS SIZE 22 DF PIN CONTACTS. RETENTION TINES ARE AN INTEGRAL PART OF INSERT.
- FLAME RETARDANT UL 94V-0 RATED GLASS FILLED NYLON, BLACK.
- CARBON STEEL; .000200 MIN TIN OVER .000100 MIN COPPER.
- CARBON STEEL; ZINC PLATED CLEAR CHROMATE.



MANUFACTURERS LOGO, PART NO & DATE CODE, MARKED IN AREA INDICATED, ON FAR SIDE

5749717-1
PART NO

THIS DRAWING IS A CONTROLLED DOCUMENT.		DWN G. ATTADIA - DOCK5 11-11-04	Tyco Electronics Corporation Harrisburg, PA 17105-3608	
DIMENSIONS: mm [INCHES]		CHK J. GERACE 11-11-04	APVD M. WALMSLEY 11-11-04	
TOLERANCES UNLESS OTHERWISE SPECIFIED:		PRODUCT SPEC 108-1268		NAME PLUG CONNECTOR, SIZE 2, 26 POSN, W/ CLINCH NUTS, AMPLIMITE® HDP-22
0 PLC ± - 1 PLC ± - 2 PLC ± 0.13 [.005] 3 PLC ± - 4 PLC ± -		APPLICATION SPEC 114-10001		
MATERIAL SEE CALLOUTS		FINISH SEE CALLOUTS		RESTRICTED TO
MATERIAL		WEIGHT		SIZE A2
MATERIAL		WEIGHT		CAGE CODE 00779
MATERIAL		WEIGHT		DRAWING NO 5749717
MATERIAL		WEIGHT		SCALE 4:1
MATERIAL		WEIGHT		SHEET 1 OF 1
MATERIAL		WEIGHT		REV 0
MATERIAL		WEIGHT		CUSTOMER DRAWING

5749717