



Chipsmall Limited consists of a professional team with an average of over 10 year of expertise in the distribution of electronic components. Based in Hongkong, we have already established firm and mutual-benefit business relationships with customers from,Europe,America and south Asia,supplying obsolete and hard-to-find components to meet their specific needs.

With the principle of “Quality Parts,Customers Priority,Honest Operation,and Considerate Service”,our business mainly focus on the distribution of electronic components. Line cards we deal with include Microchip,ALPS,ROHM,Xilinx,Pulse,ON,Everlight and Freescale. Main products comprise IC,Modules,Potentiometer,IC Socket,Relay,Connector.Our parts cover such applications as commercial,industrial, and automotives areas.

We are looking forward to setting up business relationship with you and hope to provide you with the best service and solution. Let us make a better world for our industry!



Contact us

Tel: +86-755-8981 8866 Fax: +86-755-8427 6832

Email & Skype: info@chipsmall.com Web: www.chipsmall.com

Address: A1208, Overseas Decoration Building, #122 Zhenhua RD., Futian, Shenzhen, China



4

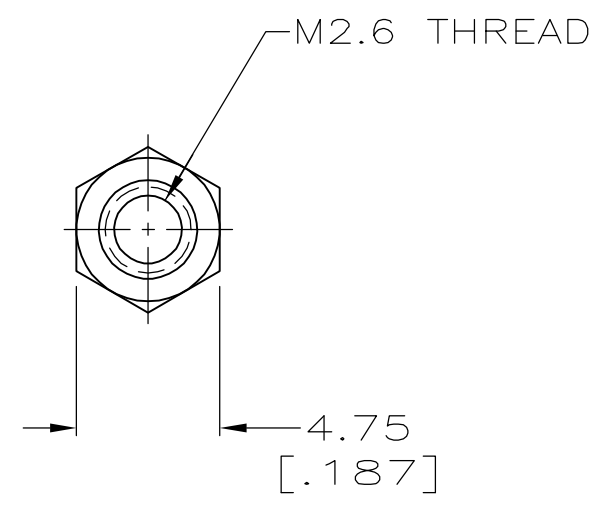
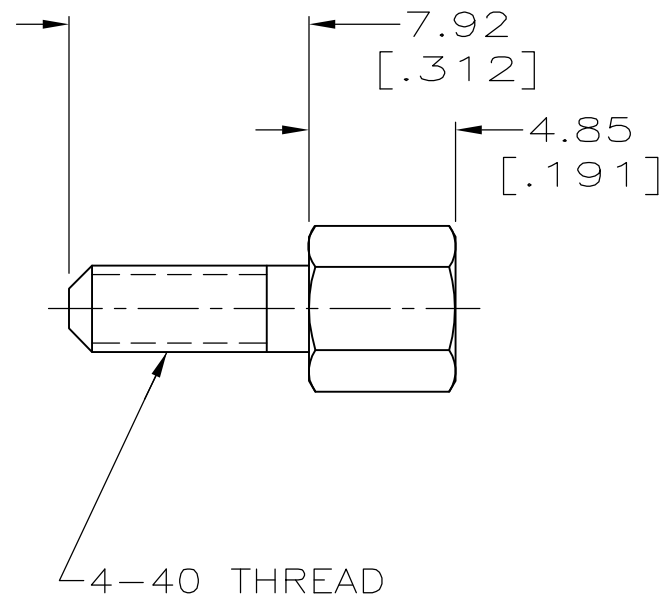
3

2

1

THIS DRAWING IS UNPUBLISHED. RELEASED FOR PUBLICATION
 © COPYRIGHT - BY TYCO ELECTRONICS CORPORATION. ALL RIGHTS RESERVED.

LOC	DIST	REVISIONS					
GP	00	P	LTR	DESCRIPTION	DATE	DWN	APVD
			0	RELEASED PER EC OS13-0207-05	30JUN05	RR	JG



1 ZINC PLATED .000200-.000400 THICK,
 CLEAR CHROMATE COATING.

5749765-3
 PART NO

THIS DRAWING IS A CONTROLLED DOCUMENT.		DWN	R.RICHARDSON	30JUN05	Tyco Electronics Corporation Harrisburg, Pa 17105-3608										
DIMENSIONS: INCHES		CHK	C.ROHDE	30JUUN05											
		TOLERANCES UNLESS OTHERWISE SPECIFIED:		APVD	M.WALMSLEY	30JUN05	NAME	SCREWLOCK, M2.6 FEMALE, AMPLIMITE							
0 PLC ± - 1 PLC ± - 2 PLC ± 0.13 [.005] 3 PLC ± - 4 PLC ± - ANGLES ± -		FINISH		PRODUCT SPEC		APPLICATION SPEC		RESTRICTED TO							
MATERIAL		CARBON STEEL		WEIGHT		-		SIZE	CAGE CODE	DRAWING NO	RESTRICTED TO				
		1		CUSTOMER DRAWING		A3 00779		C-5749765		SCALE	4:1	SHEET	1 OF 1	REV	0