



Chipsmall Limited consists of a professional team with an average of over 10 year of expertise in the distribution of electronic components. Based in Hongkong, we have already established firm and mutual-benefit business relationships with customers from,Europe,America and south Asia,supplying obsolete and hard-to-find components to meet their specific needs.

With the principle of “Quality Parts,Customers Priority,Honest Operation,and Considerate Service”,our business mainly focus on the distribution of electronic components. Line cards we deal with include Microchip,ALPS,ROHM,Xilinx,Pulse,ON,Everlight and Freescale. Main products comprise IC,Modules,Potentiometer,IC Socket,Relay,Connector.Our parts cover such applications as commercial,industrial, and automotives areas.

We are looking forward to setting up business relationship with you and hope to provide you with the best service and solution. Let us make a better world for our industry!



## Contact us

Tel: +86-755-8981 8866 Fax: +86-755-8427 6832

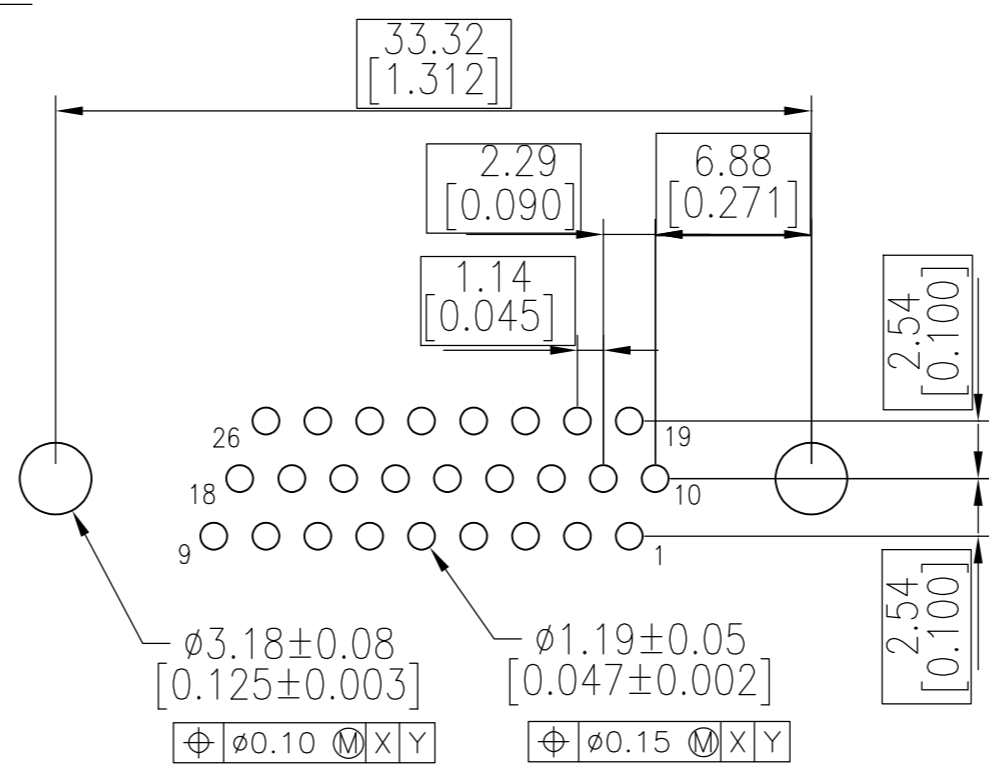
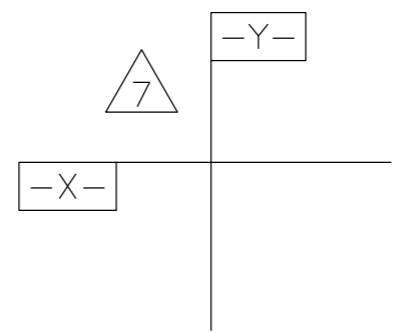
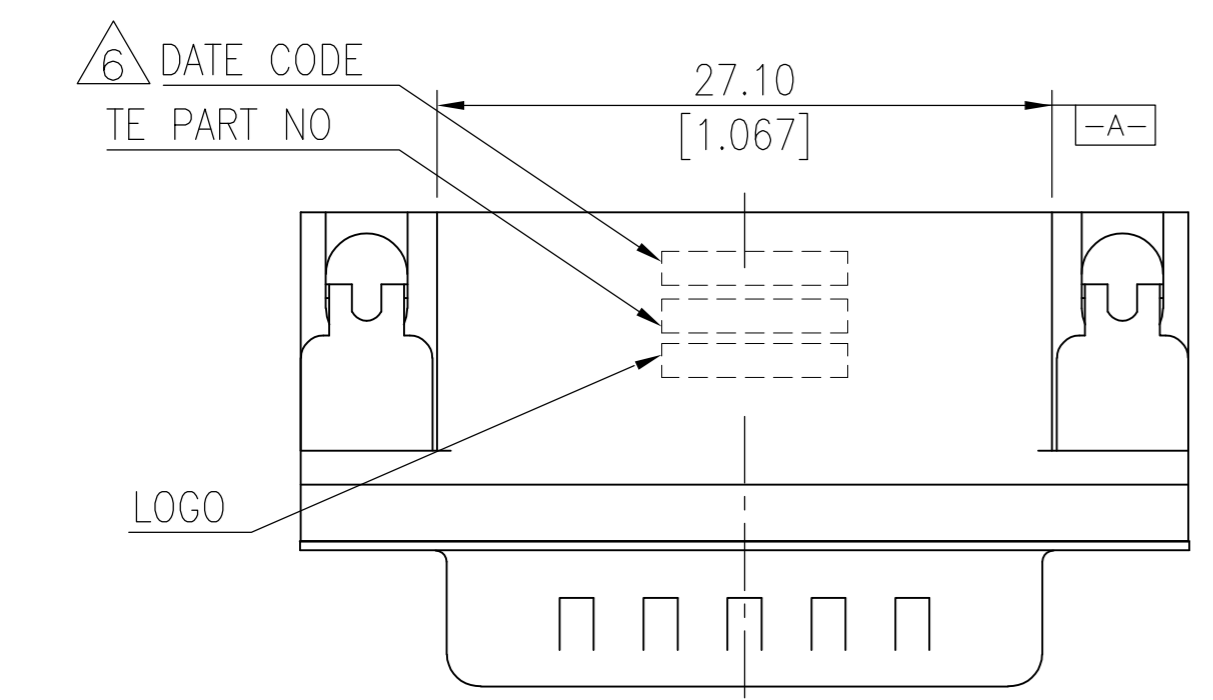
Email & Skype: info@chipsmall.com Web: www.chipsmall.com

Address: A1208, Overseas Decoration Building, #122 Zhenhua RD., Futian, Shenzhen, China

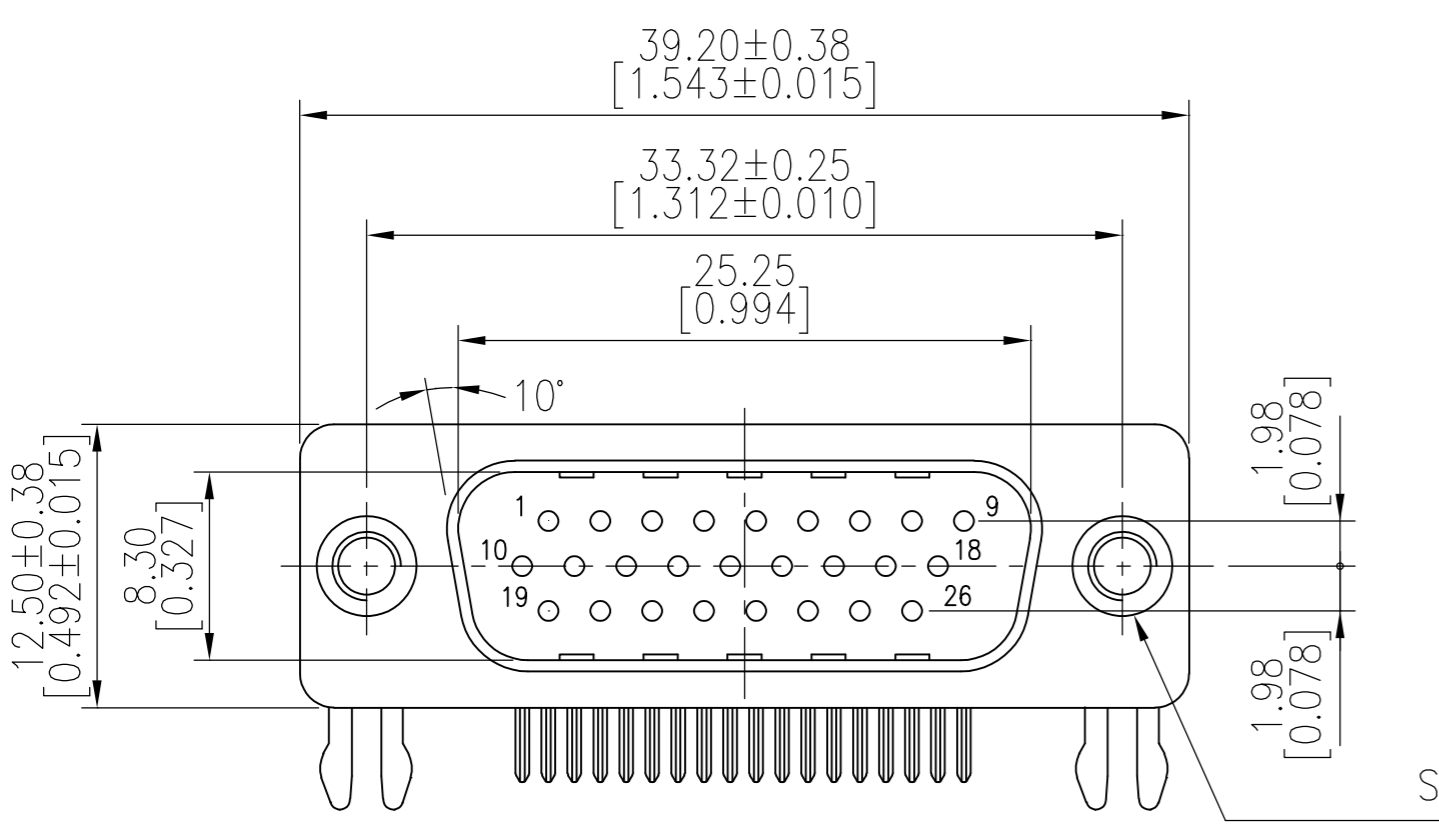


THIS DRAWING IS UNPUBLISHED. RELEASED FOR PUBLICATION  
 © COPYRIGHT - By - ALL RIGHTS RESERVED.

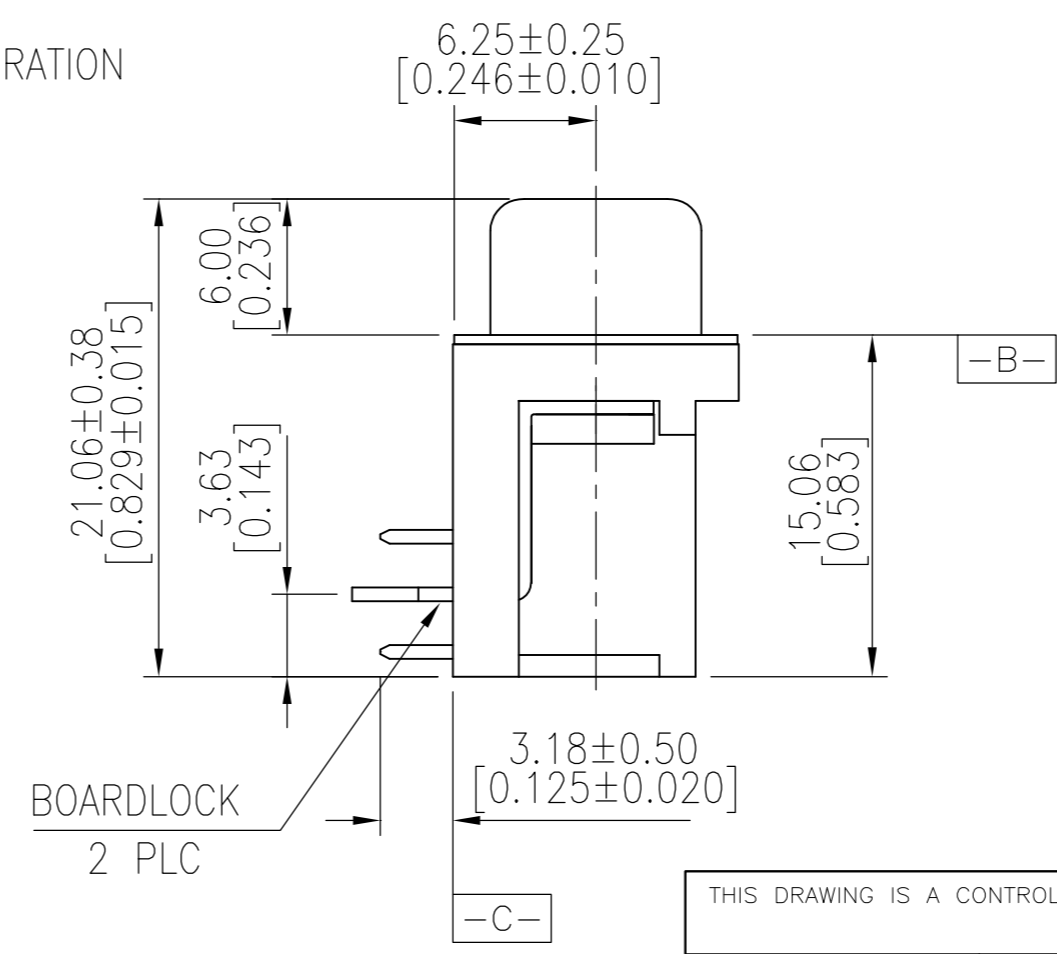
LOC		DIST		REVISIONS			
P	LTR	DESCRIPTION	DATE	DWN	APVD		
B2		REVISED PER ECO-15-011151	14DEC2015	AP	DG		



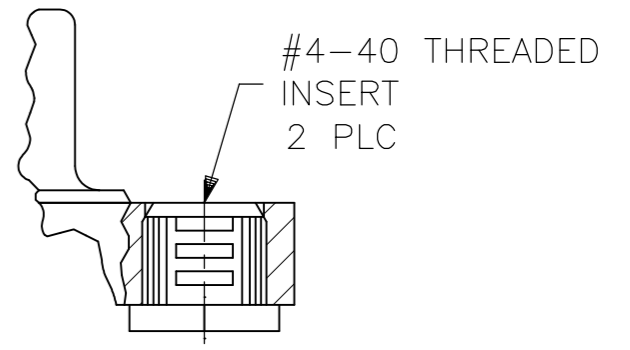
RECOMMENDED PCB LAYOUT



SEE TABLE FOR MOUNTING CONFIGURATION



BOARDLOCK 2 PLC



DETAIL A

- HOUSING: PBT, BLACK, UL94V-0.
  - CONTACT: BRASS, GOLD PLATE IN THE MATING AREA (SEE TABLE), 120u" MINIMUM TIN PLATE ON THE SOLDER-TAIL BOTH OVER 50u" MINIMUM NICKEL UNDERPLATE.
  - SHELL: STEEL, NICKEL PLATE.
  - BOARDLOCK: BRASS, 100u" MINIMUM TIN PLATE
  - THREADED INSERT: BRASS, NICKEL PLATE
- △ FOUR DIGIT DATE CODE IN THIS FORMAT.
- YEAR 01 45 MANUFACTURING WEEK
- △ DATUMS -X- & -Y- TO BE ESTABLISHED BY CUSTOMER.

OBsolete	TRAY	DETAIL A	GOLD FLASH	5749769-3
OBsolete	TRAY	DETAIL A	15µ" MIN	5749769-2
	TRAY	DETAIL A	30µ" MIN	5749769-1
	PACKAGING	MOUNTING FLANGE CONFIG	CONTACT MATING AREA FINISH	PART NUMBER

THIS DRAWING IS A CONTROLLED DOCUMENT.

DWN	R. RICHARDSON	22APR2005	
CHK	S. BOLASH	22APR2005	
APVD	M. WALMSLEY	22APR2005	
PRODUCT SPEC			
APPLICATION SPEC			
WEIGHT	GRAMS	A2	00779
CUSTOMER DRAWING			

TE Connectivity

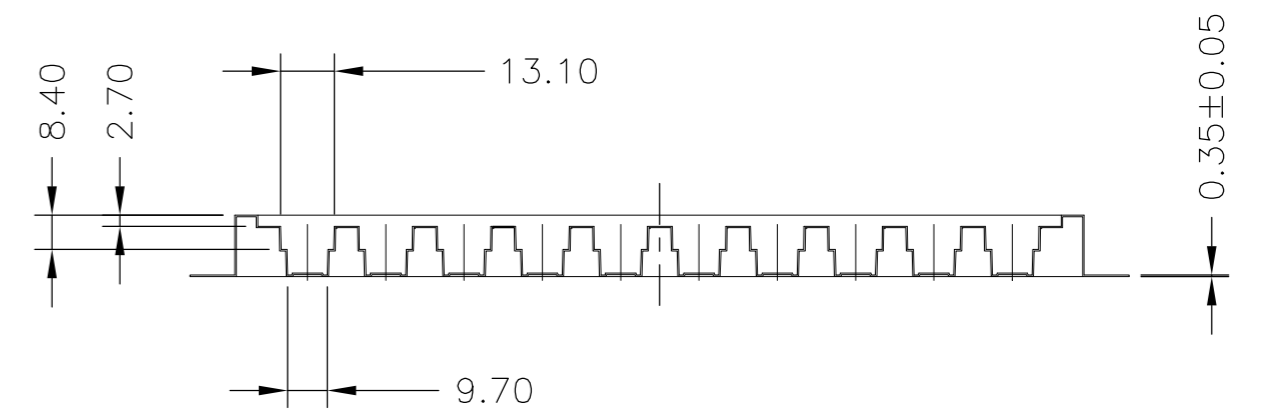
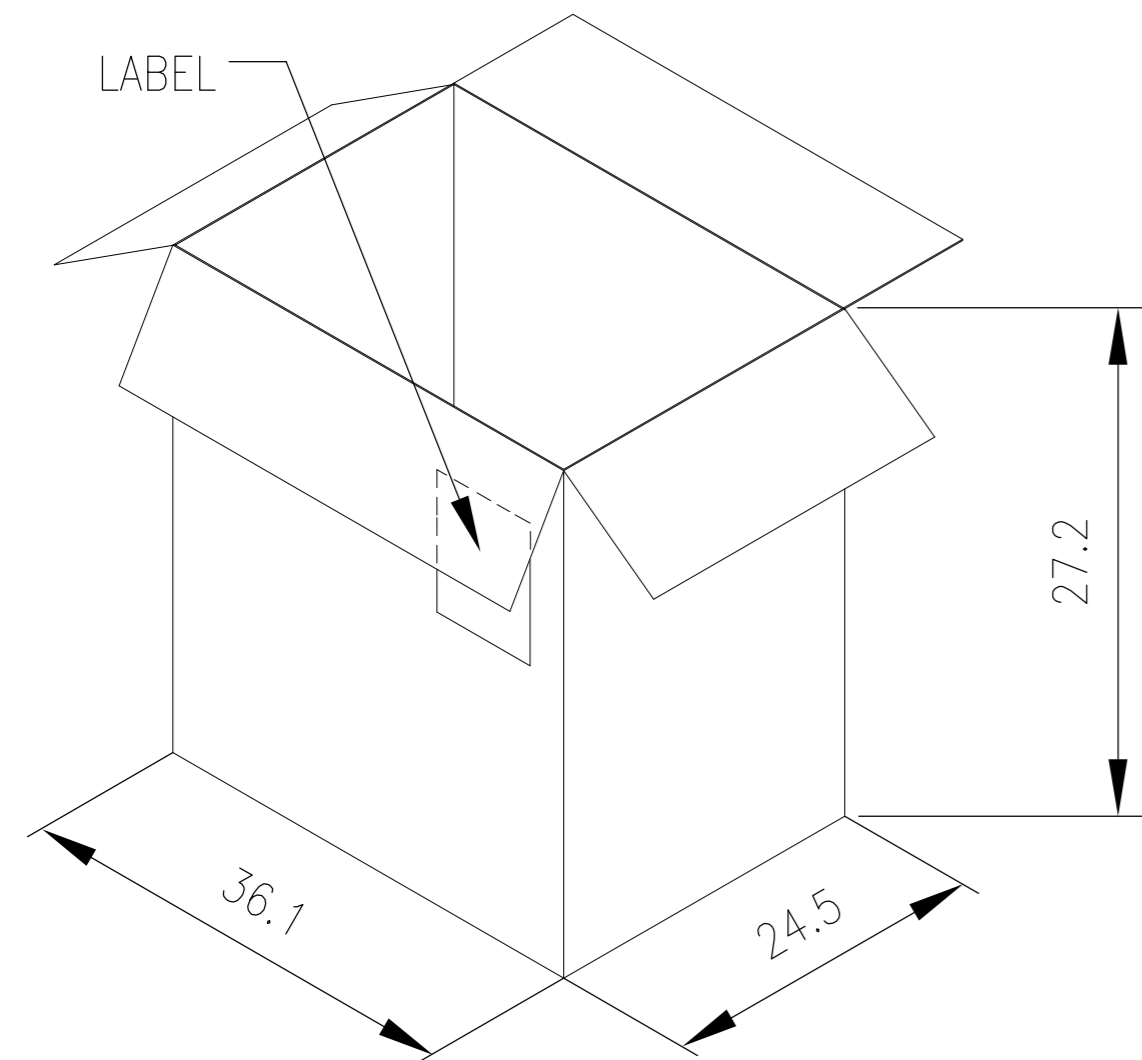
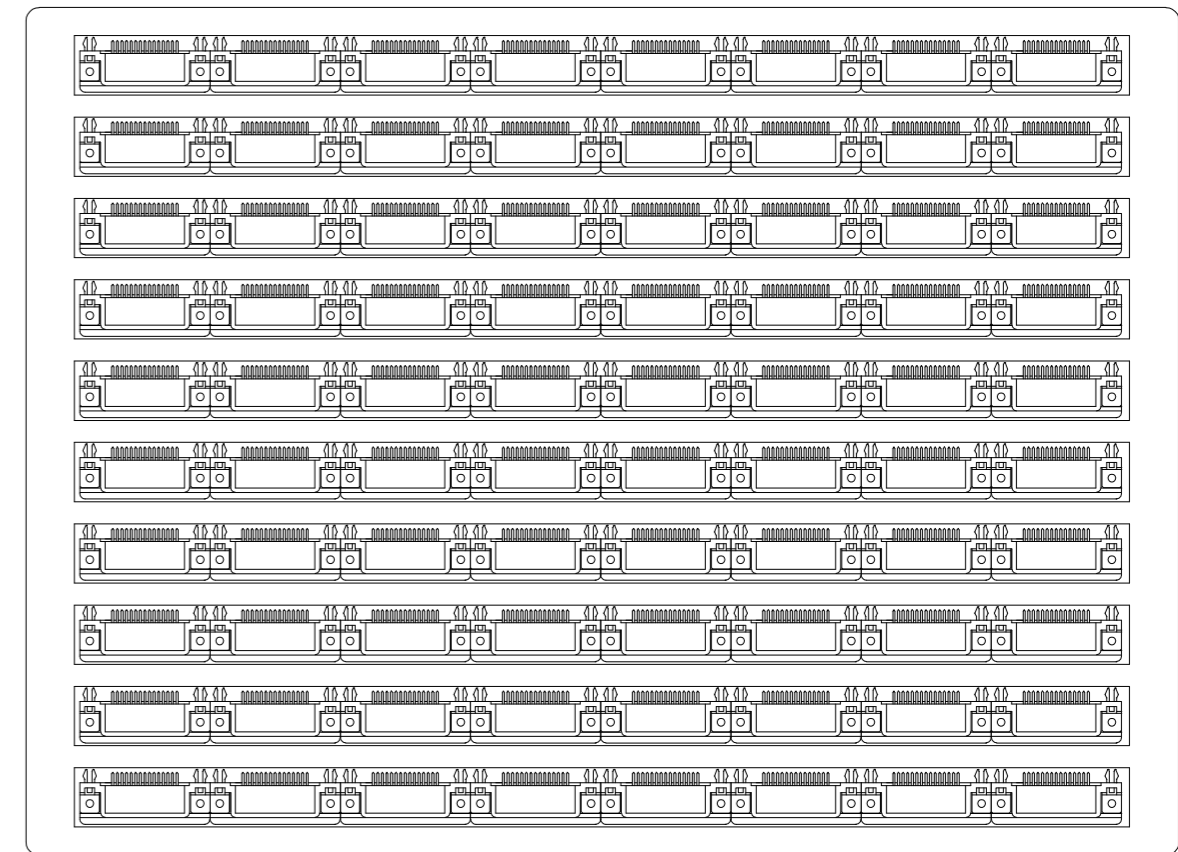
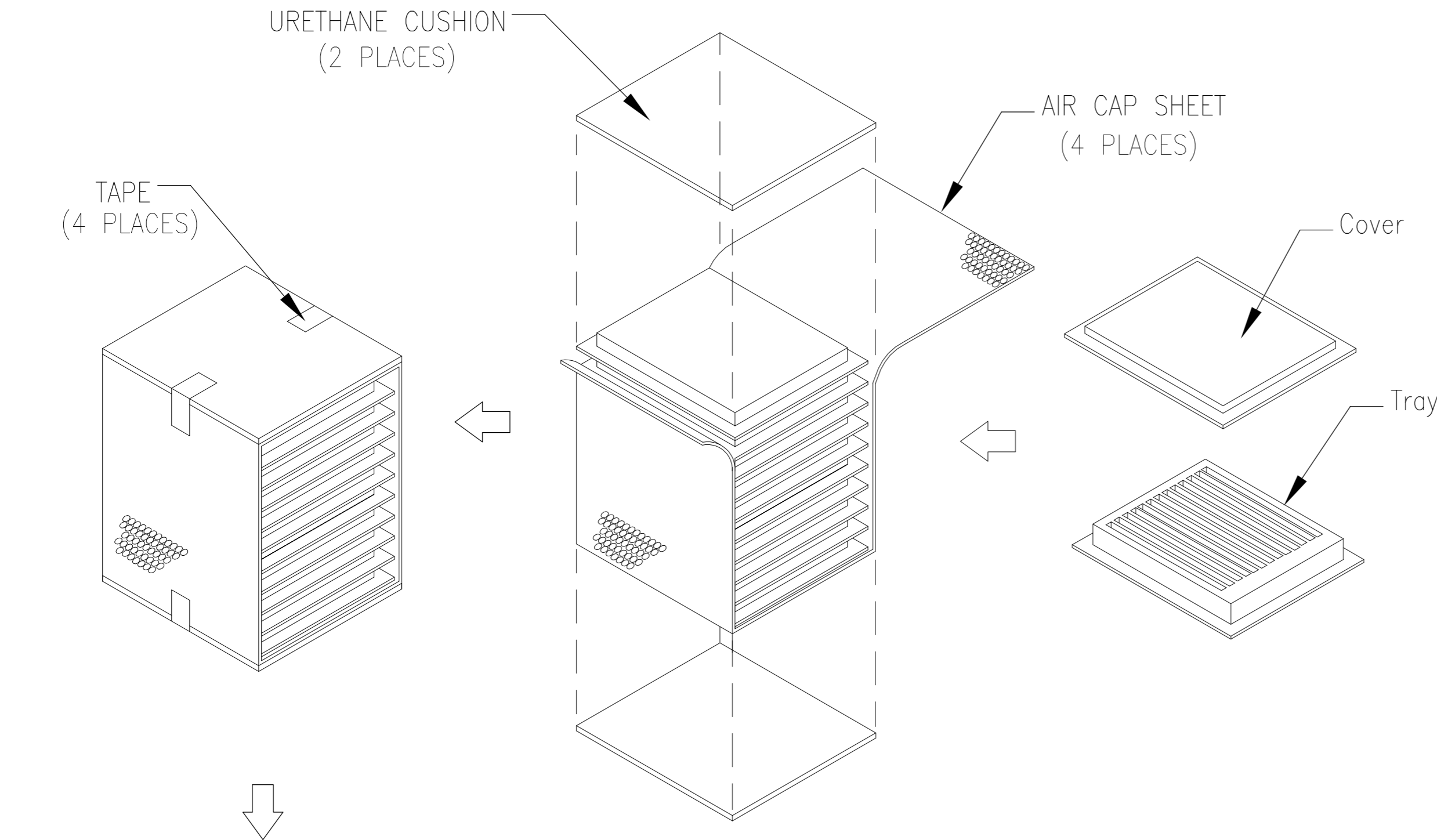
PLUG ASSEMBLY, RIGHT ANGLE, 26 POSITION, HD-22, AMPLIMITE

SIZE	CAGE CODE	DRAWING NO	RESTRICTED TO
A2	00779	C=5749769	-
SCALE	SHEET	REV	
-	1 of 2	B2	

THIS DRAWING IS UNPUBLISHED. RELEASED FOR PUBLICATION  
 © COPYRIGHT - By - ALL RIGHTS RESERVED.

LOC		DIST		REVISIONS			
P	LTR	DESCRIPTION	DATE	DWN	APVD		
-	-	SEE SHEET 1	-	-	-		

- NOTES:
- MATERIAL:
    - 1.1 TRAY: PVC
    - 1.2 SHIPPING CARTON: CORRUGATED FIBERBOARD
  - DIMENSION:
    - 2.1 TRAY: L=32.0X23.0X1.89 CM
    - 2.2 SHIPPING CARTON: L=36.1X24.5X27.2 CM
  - QUANTITY:
    - 3.1 PRIMARY PACKING: 80 PCS/TRAY
    - 3.2 SECONDARY PACKING: 10 TRAY/CARTON(800PCS)
  - WEIGHT:
    - 4.1 NET WEIGHT: 9.54 Kg
    - 4.2 GROSS WEIGHT: 11.54 Kg



THIS DRAWING IS A CONTROLLED DOCUMENT.		DWN R. RICHARDSON 22APR2005	TE Connectivity																			
DIMENSIONS: mm		CHK S. BOLASH 22APR2005																				
TOLERANCES UNLESS OTHERWISE SPECIFIED:		APVD M. WALMSLEY 22APR2005	NAME PLUG ASSEMBLY, RIGHT ANGLE, 26 POSITION, HD-22, AMPLIMITE																			
<table border="1"> <tr><td>0 PLC</td><td>±</td><td>-</td></tr> <tr><td>1 PLC</td><td>±</td><td>0.30</td></tr> <tr><td>2 PLC</td><td>±</td><td>0.20</td></tr> <tr><td>3 PLC</td><td>±</td><td>0.10</td></tr> <tr><td>4 PLC</td><td>±</td><td>-</td></tr> <tr><td>ANGLES</td><td>±</td><td>2°</td></tr> </table>		0 PLC	±	-	1 PLC	±	0.30	2 PLC	±	0.20	3 PLC	±	0.10	4 PLC	±	-	ANGLES	±	2°	PRODUCT SPEC -	SIZE A2	CAGE CODE 00779
0 PLC	±	-																				
1 PLC	±	0.30																				
2 PLC	±	0.20																				
3 PLC	±	0.10																				
4 PLC	±	-																				
ANGLES	±	2°																				
MATERIAL SEE NOTE		FINISH SEE NOTE	WEIGHT - GRAMS	DRAWING NO C=5749769																		
		CUSTOMER DRAWING		RESTRICTED TO -																		
		SCALE -		SHEET 2 of 2																		
				REV B2																		