



Chipsmall Limited consists of a professional team with an average of over 10 year of expertise in the distribution of electronic components. Based in Hongkong, we have already established firm and mutual-benefit business relationships with customers from,Europe,America and south Asia,supplying obsolete and hard-to-find components to meet their specific needs.

With the principle of "Quality Parts,Customers Priority,Honest Operation,and Considerate Service",our business mainly focus on the distribution of electronic components. Line cards we deal with include Microchip,ALPS,ROHM,Xilinx,Pulse,ON,Everlight and Freescale. Main products comprise IC,Modules,Potentiometer,IC Socket,Relay,Connector.Our parts cover such applications as commercial,industrial, and automotives areas.

We are looking forward to setting up business relationship with you and hope to provide you with the best service and solution. Let us make a better world for our industry!



Contact us

Tel: +86-755-8981 8866 Fax: +86-755-8427 6832

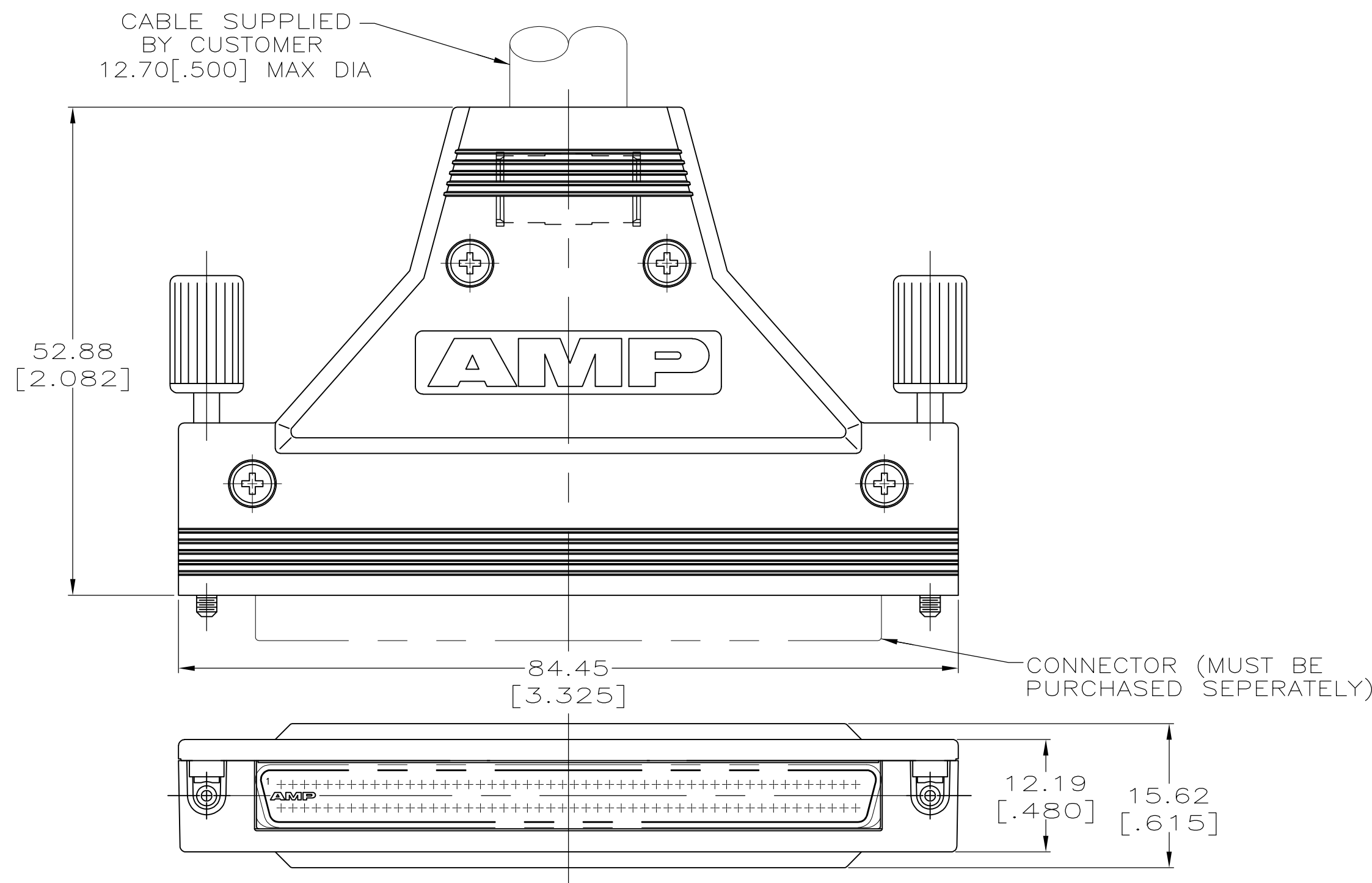
Email & Skype: info@chipsmall.com Web: www.chipsmall.com

Address: A1208, Overseas Decoration Building, #122 Zhenhua RD., Futian, Shenzhen, China

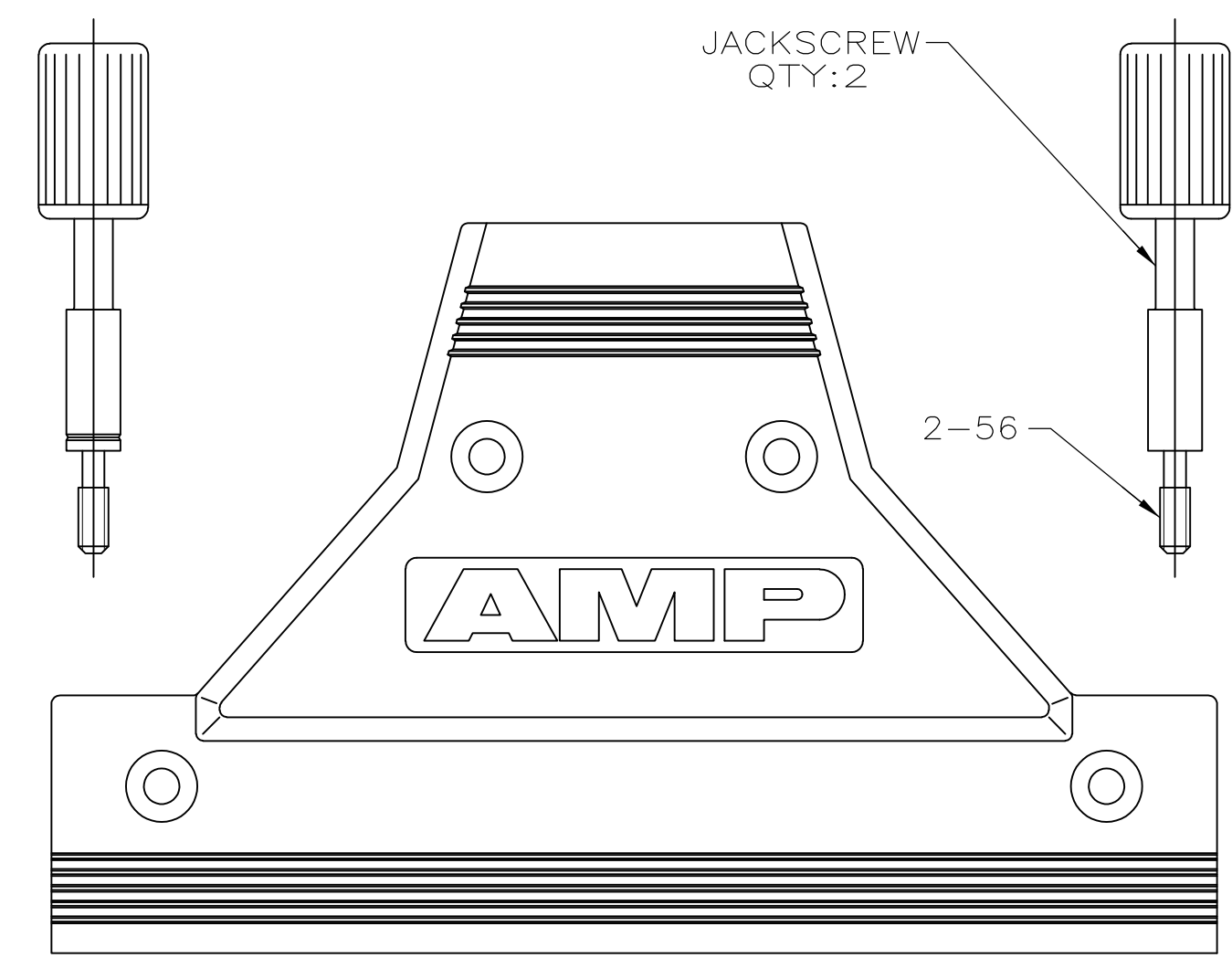


THIS DRAWING IS UNPUBLISHED. RELEASED FOR PUBLICATION
 © COPYRIGHT - By - ALL RIGHTS RESERVED.

LOC		DIST		REVISIONS			
P	LTR	DESCRIPTION	DATE	DWN	APVD		
GP	00	R	REVISED PER ECO-11-012218	14JUL2011	CJV	SLB	



ASSEMBLED VIEW



UPPER BACKSHELL

STAPLE

LOWER BACKSHELL

- ① BACKSHELLS: ZINC.
 STAPLE: STEEL.
 JACKSCREW HEAD: POLYPROPYLENE OR NYLON, UL94V-0 RATED, BLACK.
 JACKSCREW BODY: STEEL.
 SCREWS: STAINLESS STEEL.
- ② BACKSHELLS: NICKEL OVER COPPER.
 STAPLE: BRIGHT TIN OVER NICKEL.
 JACKSCREW BODY: BLACK ZINC.

5749854-1
 PART NO

THIS DRAWING IS A CONTROLLED DOCUMENT.		DWN	G.PETERS	24AUG05		TE Connectivity		
DIMENSIONS: INCHES		CHK	S.SHUEY	24AUG05		NAME		
TOLERANCES UNLESS OTHERWISE SPECIFIED:		APVD	M.WALMSLEY	24AUG05		BACKSHELL KIT, 100 POS, AMPLIMITE .050 SERIES		
0 PLC ± - 1 PLC ± - 2 PLC ± - 3 PLC ± - 4 PLC ± - ANGLES ± - FINISH		APPLICATION SPEC		SIZE		CAGE CODE	DRAWING NO	RESTRICTED TO
MATERIAL	①	WEIGHT		-	A2	00779	③=5749854	-
CUSTOMER DRAWING		SCALE		2:1	SHEET		1 of 1	REV R

5749854