



Chipsmall Limited consists of a professional team with an average of over 10 year of expertise in the distribution of electronic components. Based in Hongkong, we have already established firm and mutual-benefit business relationships with customers from,Europe,America and south Asia,supplying obsolete and hard-to-find components to meet their specific needs.

With the principle of “Quality Parts,Customers Priority,Honest Operation,and Considerate Service”,our business mainly focus on the distribution of electronic components. Line cards we deal with include Microchip,ALPS,ROHM,Xilinx,Pulse,ON,Everlight and Freescale. Main products comprise IC,Modules,Potentiometer,IC Socket,Relay,Connector.Our parts cover such applications as commercial,industrial, and automotives areas.

We are looking forward to setting up business relationship with you and hope to provide you with the best service and solution. Let us make a better world for our industry!



## Contact us

Tel: +86-755-8981 8866 Fax: +86-755-8427 6832

Email & Skype: info@chipsmall.com Web: www.chipsmall.com

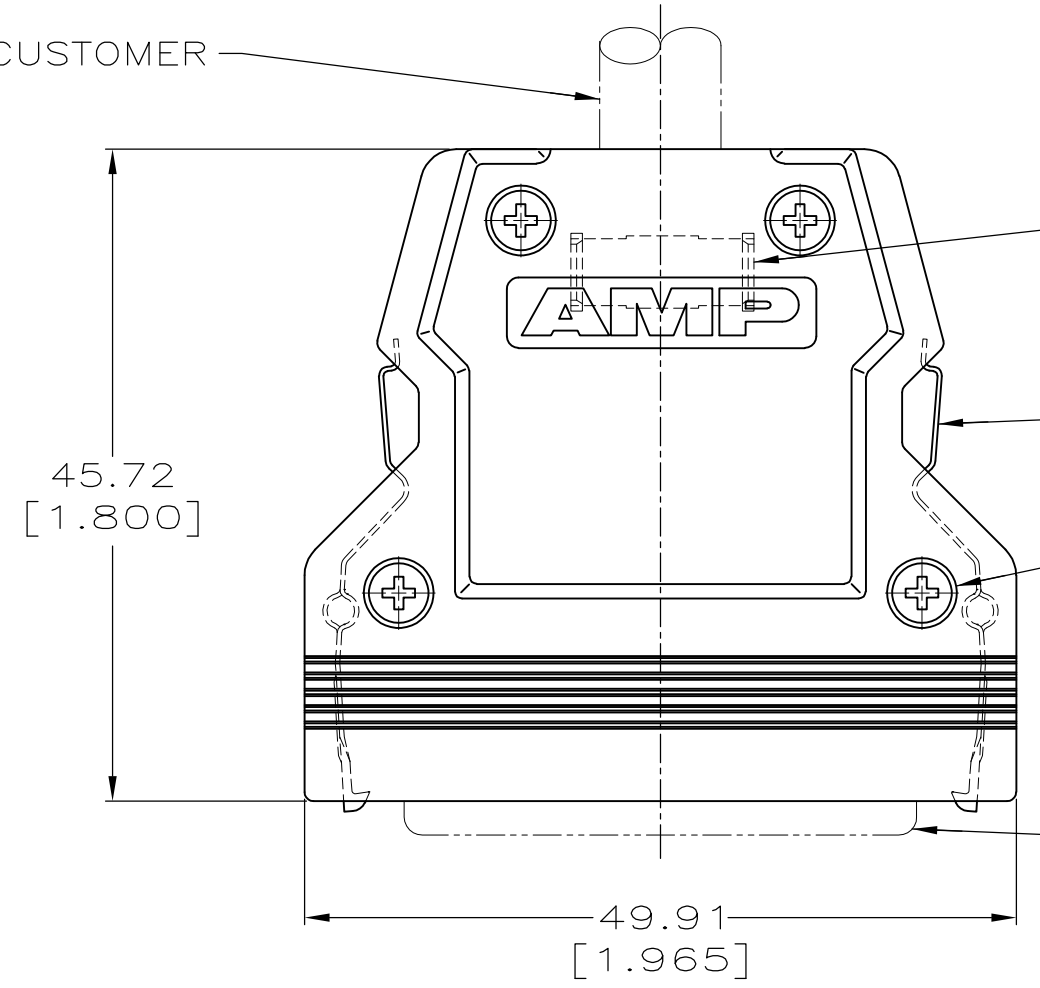
Address: A1208, Overseas Decoration Building, #122 Zhenhua RD., Futian, Shenzhen, China



THIS DRAWING IS UNPUBLISHED. RELEASED FOR PUBLICATION  
 © COPYRIGHT BY TYCO ELECTRONICS CORPORATION. ALL RIGHTS RESERVED.

LOC	DIST	REVISIONS					
GP	00	P	LTR	DESCRIPTION	DATE	DWN	APVD
		0		RELEASED PER EC 0513-0287-05	17NOV05	JG	SS
		01		REVISED PER ECO-10-000444	20JAN10	KK	HMR

CABLE SUPPLIED BY CUSTOMER  
 Ø.480 MAX



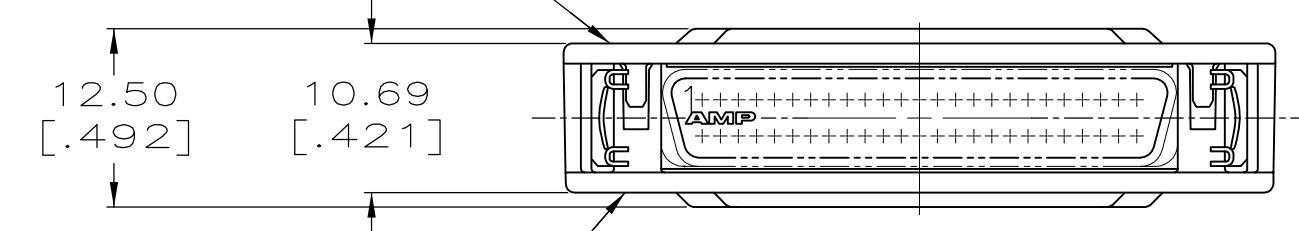
STRAIN RELIEF STAPLE (1 SUPPLIED)  
 MATERIAL: STEEL  
 FINISH: BRIGHT TIN OVER NICKEL

SPRING LATCH (2 SUPPLIED)  
 MATERIAL: STAINLESS STEEL

MACHINE SCREW (4 SUPPLIED)  
 #2-56 UNC X.250  
 STAINLESS STEEL

CONNECTOR (MUST BE  
 PURCHASED SEPARATELY)

UPPER BACKSHELL (1 SUPPLIED)  
 MATERIAL: ZINC  
 FINISH: NICKEL OVER COPPER



LOWER BACKSHELL (1 SUPPLIED)  
 MATERIAL: ZINC  
 FINISH: NICKEL OVER COPPER

- 1 PARTS PACKAGED AS A UNIT KIT.
- 2 PARTS INDIVIDUALLY BULK PACKAGED & SHIPPED AS A UNIT PACKAGE.
- 3 OBSOLETE PARTS: OBSOLETE CIS STREAMLINING PER D.RENAUD/D.SINISI

3	OBSOLETE	2	-5749889-4-
		1	5749889-3
	PACKAGING		PART NO

**COPYRIGHT 2005  
 TYCO ELECTRONICS CORP  
 ALL RIGHTS RESERVED**

THIS DRAWING IS A CONTROLLED DOCUMENT.		DWN	J.GERACE	17NOV05	Tyco Electronics Corporation Harrisburg, PA 17105-3608
DIMENSIONS: mm[INCHES]		CHK	S.SHUEY	17NOV05	
TOLERANCES UNLESS OTHERWISE SPECIFIED:		APVD	M.WALMSLEY	17NOV05	
0 PLC	± -	PRODUCT SPEC			NAME BACKSHELL KIT, 50 POS, REDUCED WIDTH, STRAIGHT EXIT, UNKEYED, AMPLIMITE .050 SERIES
1 PLC	± -	APPLICATION SPEC			
2 PLC	± 0.38 [.015]	WEIGHT		-	SIZE
3 PLC	± -	CUSTOMER DRAWING			CAGE CODE
4 PLC	± -	SCALE		2:1	DRAWING NO
ANGLES	± ± -	SHEET		1 of 1	RESTRICTED TO
MATERIAL	SEE CALLOUTS	FINISH		SEE CALLOUTS	REV
MATERIAL		FINISH		SEE CALLOUTS	01