



Chipsmall Limited consists of a professional team with an average of over 10 year of expertise in the distribution of electronic components. Based in Hongkong, we have already established firm and mutual-benefit business relationships with customers from,Europe,America and south Asia,supplying obsolete and hard-to-find components to meet their specific needs.

With the principle of “Quality Parts,Customers Priority,Honest Operation,and Considerate Service”,our business mainly focus on the distribution of electronic components. Line cards we deal with include Microchip,ALPS,ROHM,Xilinx,Pulse,ON,Everlight and Freescale. Main products comprise IC,Modules,Potentiometer,IC Socket,Relay,Connector.Our parts cover such applications as commercial,industrial, and automotives areas.

We are looking forward to setting up business relationship with you and hope to provide you with the best service and solution. Let us make a better world for our industry!



## Contact us

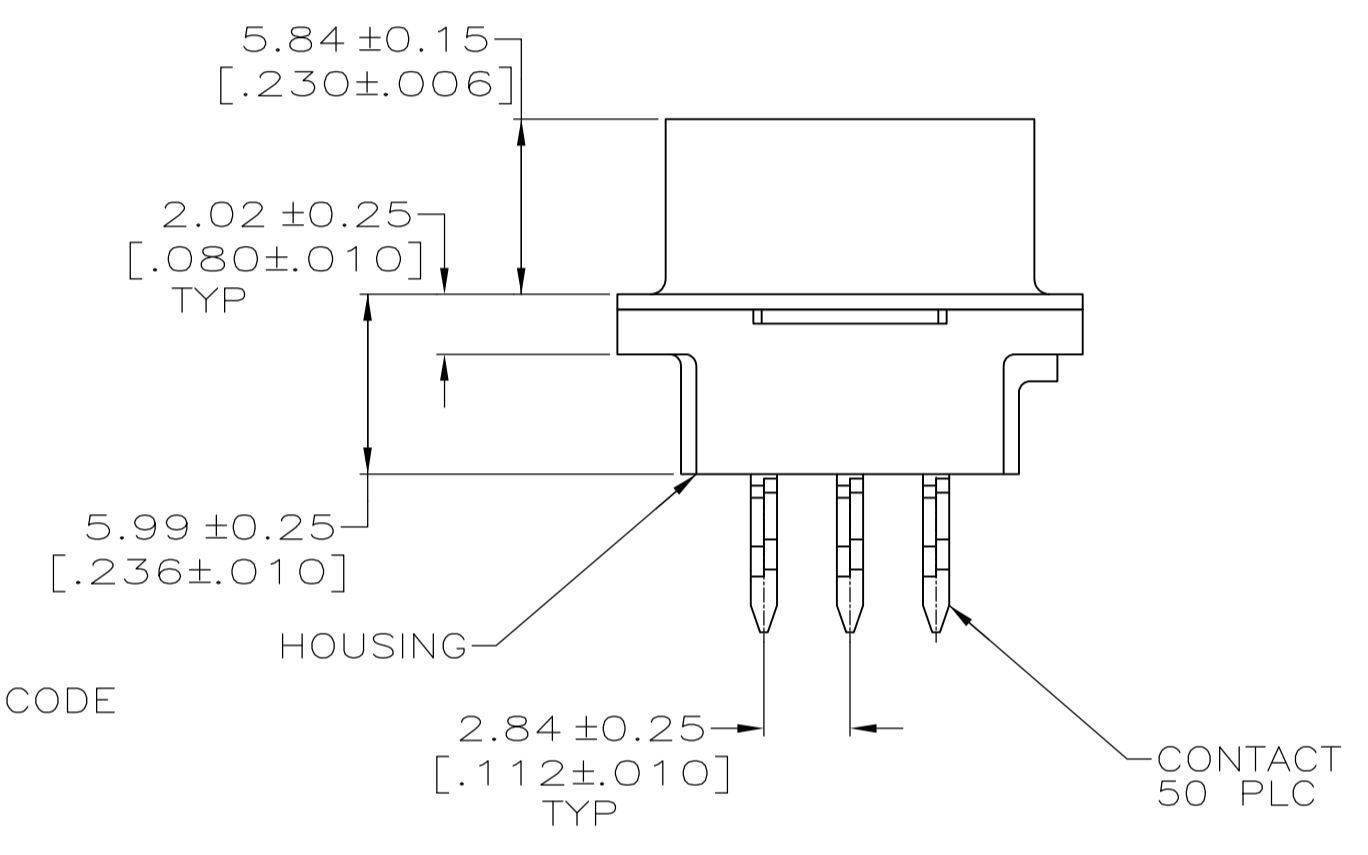
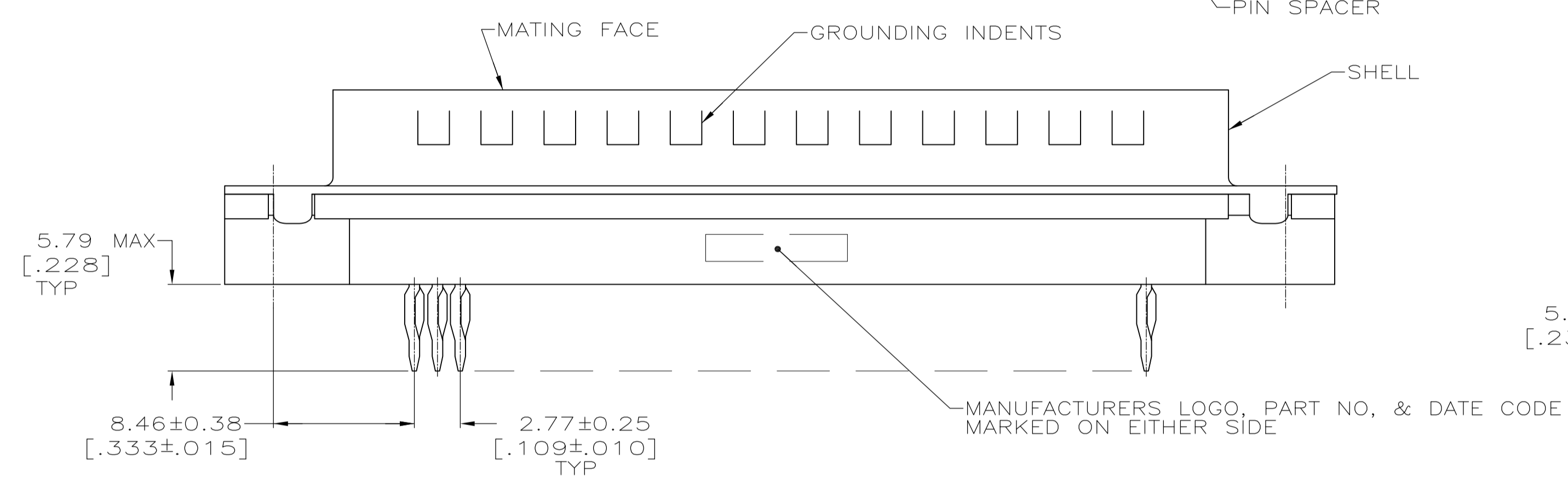
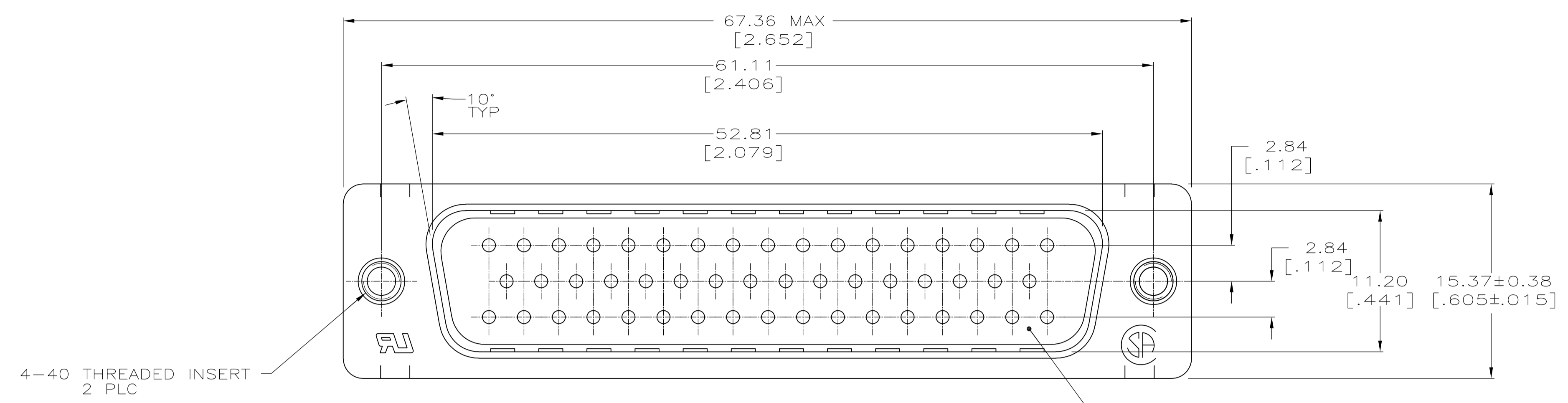
Tel: +86-755-8981 8866 Fax: +86-755-8427 6832

Email & Skype: info@chipsmall.com Web: www.chipsmall.com

Address: A1208, Overseas Decoration Building, #122 Zhenhua RD., Futian, Shenzhen, China



LOC		DIST		REVISIONS			
GP	00	REV	DATE	BY	APPV		
C		REVISED PER ECO-12-000090	27JAN2012	CJV	SLB		



- 1 SHELL: 5.08µm[.000200] MIN TIN OVER 2.54µm[.000100] MIN COPPER.
- 2 MOLDED PARTS: UL 94V-0 RATED, POLYESTER, BLACK.
- 3 FOR USE WITH 2.36 [.093] MINIMUM THICK PRINTED CIRCUIT BOARD. REFER TO APPLICATION SPECIFICATION FOR PRINTED CIRCUIT BOARD LAYOUT DIMENSIONS AND FINISH RECOMMENDATIONS.
- 4 CONTACTS:  
0.76 MICRO METERS [.000030] MINIMUM GOLD IN MATING AREA.  
2.54 MICRO METERS [.000100] MINIMUM TIN ON COMPLIANT PIN.  
ALL OVER 1.27 MICRO METERS [.000050] MINIMUM NICKEL.  
OR  
GOLD FLASH OVER PALLADIUM NICKEL.  
0.76 MICRO METERS [.000030] MINIMUM TOTAL IN MATING AREA.  
2.54 MICRO METERS [.000100] MINIMUM TIN ON COMPLIANT PIN.  
ALL OVER 1.27 MICRO METERS [.000050] MINIMUM NICKEL.
- 5 CONTACTS: BRASS
- 6 SHELL: CARBON STEEL
- 7 INSERTS: BRASS

**COPYRIGHT 2005  
TYCO ELECTRONICS CORP  
ALL RIGHTS RESERVED**

THIS DRAWING IS A CONTROLLED DOCUMENT. DIMENSIONING AND TOLERANCING PER ASME Y14.5M-2009		DIN J. ALCORTA - DOCK5 04-06-05 C/K S. BOLASH 04-06-05		APVD M. WALMSLEY 04-06-05		NAME	
DIMENSIONS: INCHES		TOLERANCES UNLESS OTHERWISE SPECIFIED:		PRODUCT SPEC		CONNECTOR ASSEMBLY, PLUG, SIZE 5, 50 POSN. ACTION PIN, FRONT METAL SHELL, W/ PIN SPACER, AMPLIMITE	
0 PLC ± -		1 PLC ± -		108-40014		SIZE	
2 PLC ± 0.13 [.005]		3 PLC ± -		APPLICATION SPEC		CAGE CODE DRAWING NO	
4 PLC ± -		ANGLES ± °		114-40026 3		A1 00779 C=5749892	
MATERIAL		FINISH		WEIGHT		RESTRICTED TO	
2 5 6 7		4		-		CUSTOMER DRAWING	
				SCALE 4:1		SHEET 1 OF 1 REV C	

5749892-1  
PART NO

