



Chipsmall Limited consists of a professional team with an average of over 10 year of expertise in the distribution of electronic components. Based in Hongkong, we have already established firm and mutual-benefit business relationships with customers from,Europe,America and south Asia,supplying obsolete and hard-to-find components to meet their specific needs.

With the principle of “Quality Parts,Customers Priority,Honest Operation,and Considerate Service”,our business mainly focus on the distribution of electronic components. Line cards we deal with include Microchip,ALPS,ROHM,Xilinx,Pulse,ON,Everlight and Freescale. Main products comprise IC,Modules,Potentiometer,IC Socket,Relay,Connector.Our parts cover such applications as commercial,industrial, and automotives areas.

We are looking forward to setting up business relationship with you and hope to provide you with the best service and solution. Let us make a better world for our industry!



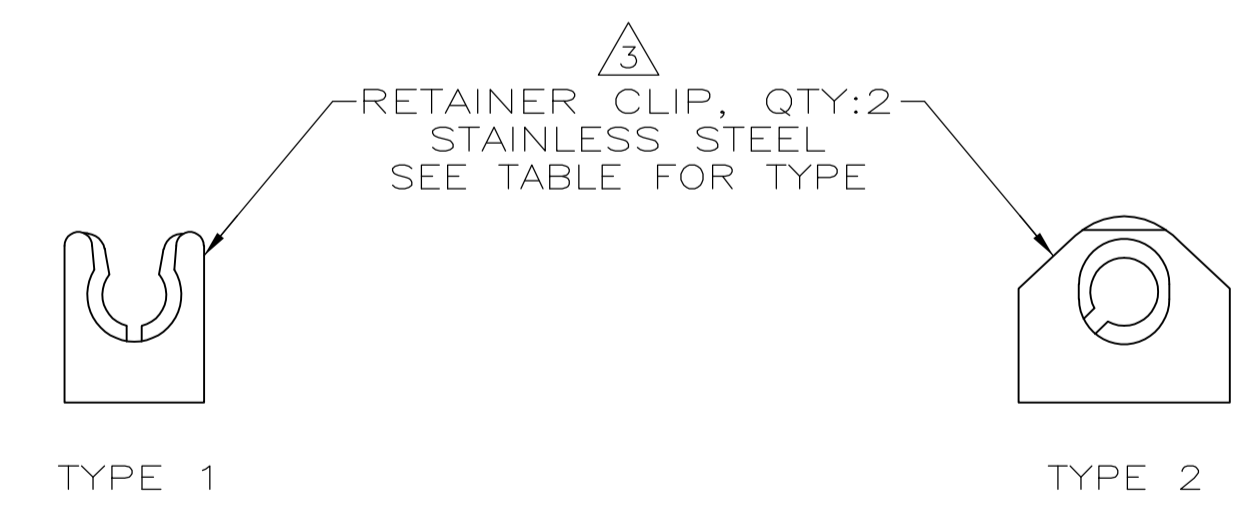
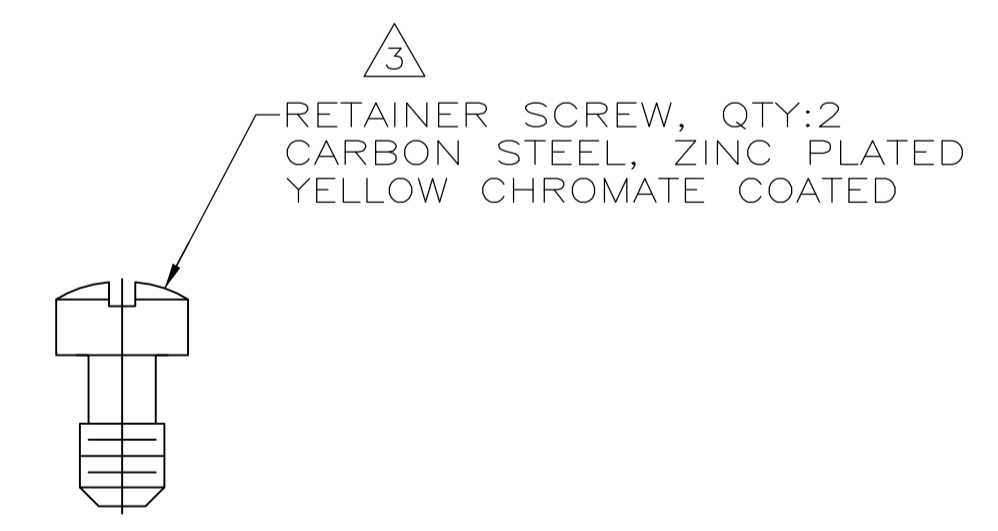
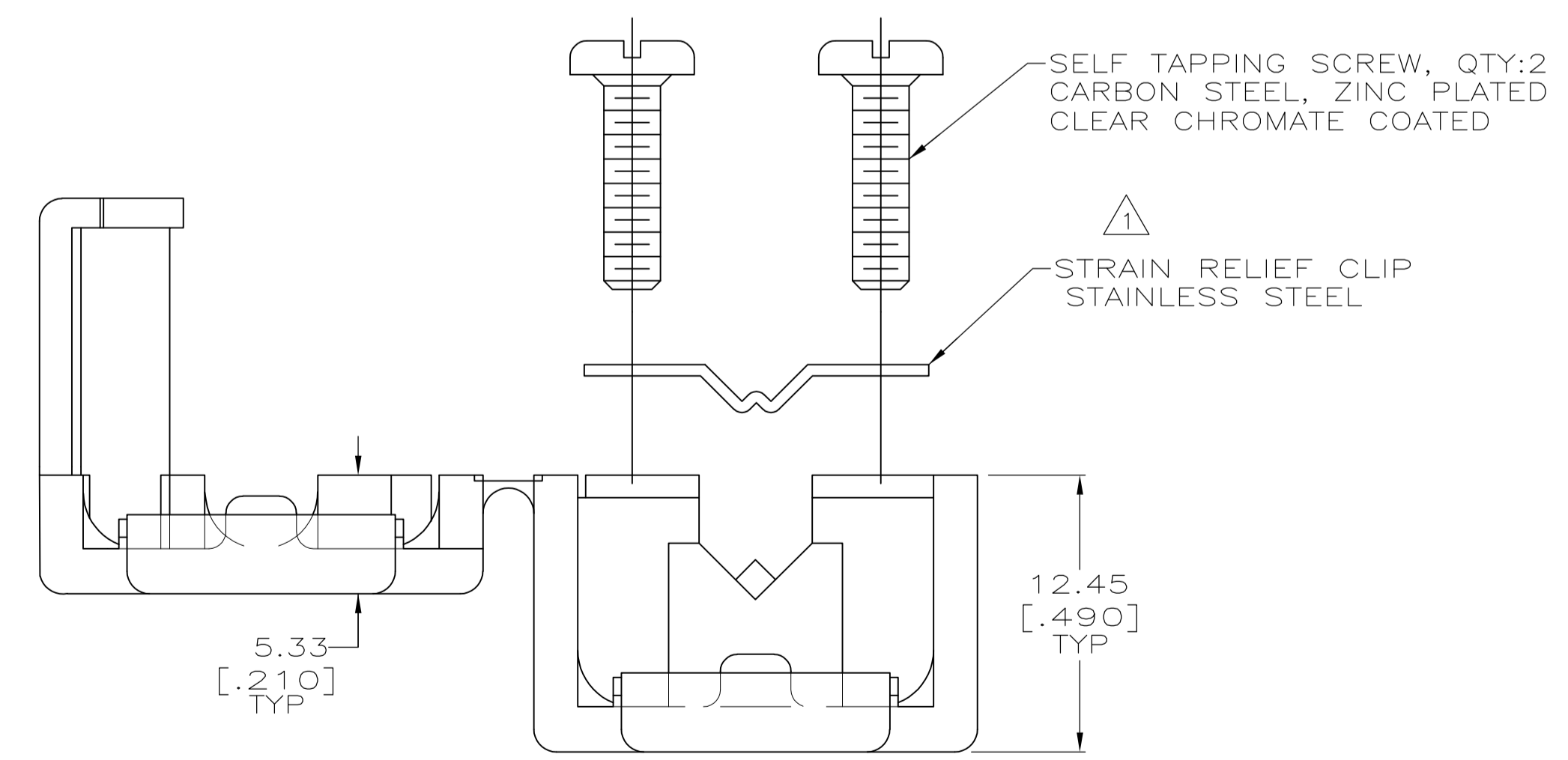
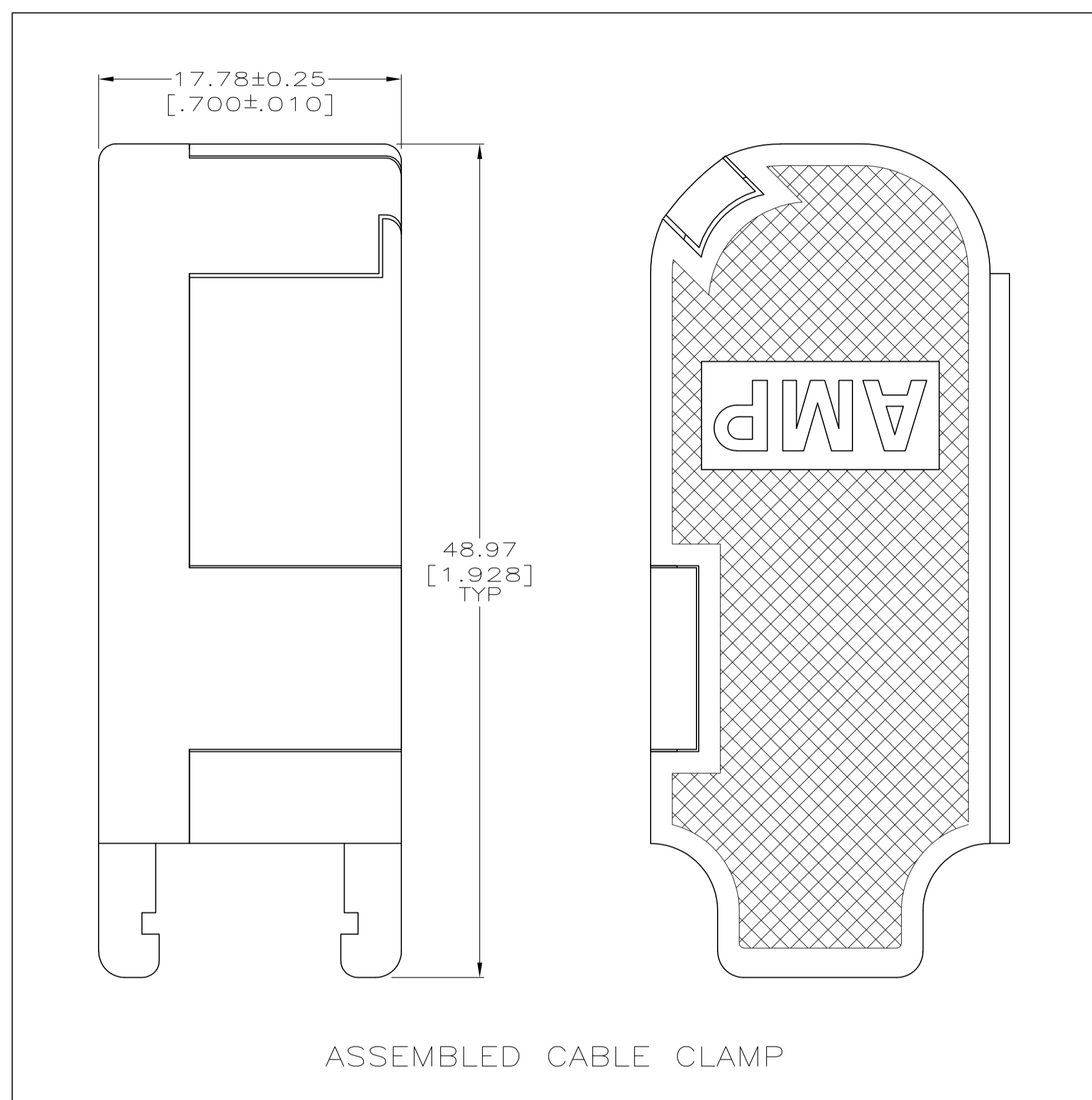
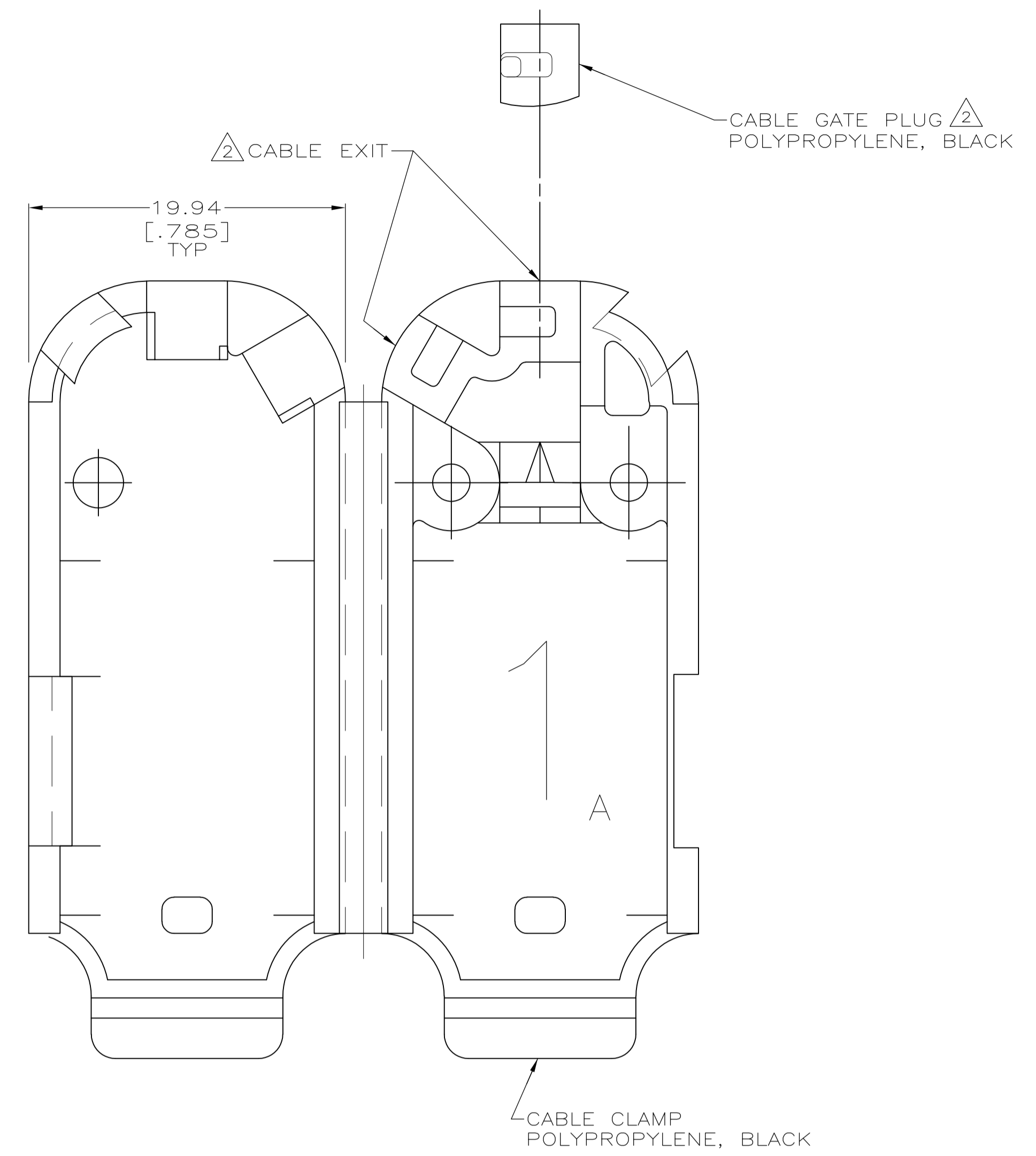
## Contact us

Tel: +86-755-8981 8866 Fax: +86-755-8427 6832

Email & Skype: info@chipsmall.com Web: www.chipsmall.com

Address: A1208, Overseas Decoration Building, #122 Zhenhua RD., Futian, Shenzhen, China





- 1 CLIP CAN BE INSTALLED AS SHOWN FOR SMALL DIAMETER CABLE, OR REVERSED FOR LARGE DIAMETER CABLE.
- 2 CABLE GATE PLUG TO BE PLACED IN CABLE EXIT NOT BEING USED.
- 3 RETAINER SCREWS AND RETAINER CLIPS PROVIDED WITH THIS KIT FOR USE WITH METAL SHELL CONNECTORS.
- 4. CABLE DIAMETER RANGE = 1.90-6.35 [0.075-.250].

**COPYRIGHT 2005  
TE CONNECTIVITY CORP  
ALL RIGHTS RESERVED**

2	UNIT KIT	5749914-4
1	UNIT KIT	5749914-2
1	BULK PACKED	5749914-1
RETAINER CLIP TYPE	PACKAGING	PART NO

THIS DRAWING IS A CONTROLLED DOCUMENT.

DW	R. RICHARDSON	15SEP05	
CHK	C. ROHDE	15SEP05	
APVD	M. WALMSLEY	15SEP05	NAME
PRODUCT SPEC			CABLE CLAMP KIT, UNASSEMBLED, SIZE 1, QUIK-SNAP, 120 DEG & 180 DEG CABLE EXIT, AMPLIMITE
APPLICATION SPEC			RESTRICTED TO
MATERIAL	SEE CALLOUTS	FINISH	SEE CALLOUTS
WEIGHT		SIZE	A1
CUSTOMER DRAWING		CAGE CODE	00779
		DRAWING NO	5749914
		SCALE	4:1
		SHEET	1 OF 1
		REV	P