



Chipsmall Limited consists of a professional team with an average of over 10 year of expertise in the distribution of electronic components. Based in Hongkong, we have already established firm and mutual-benefit business relationships with customers from,Europe,America and south Asia,supplying obsolete and hard-to-find components to meet their specific needs.

With the principle of "Quality Parts,Customers Priority,Honest Operation,and Considerate Service",our business mainly focus on the distribution of electronic components. Line cards we deal with include Microchip,ALPS,ROHM,Xilinx,Pulse,ON,Everlight and Freescale. Main products comprise IC,Modules,Potentiometer,IC Socket,Relay,Connector.Our parts cover such applications as commercial,industrial, and automotives areas.

We are looking forward to setting up business relationship with you and hope to provide you with the best service and solution. Let us make a better world for our industry!



Contact us

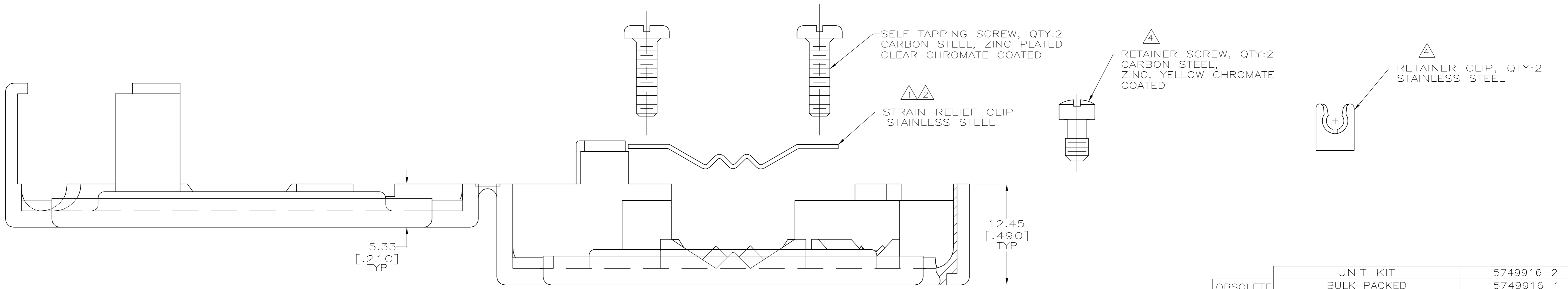
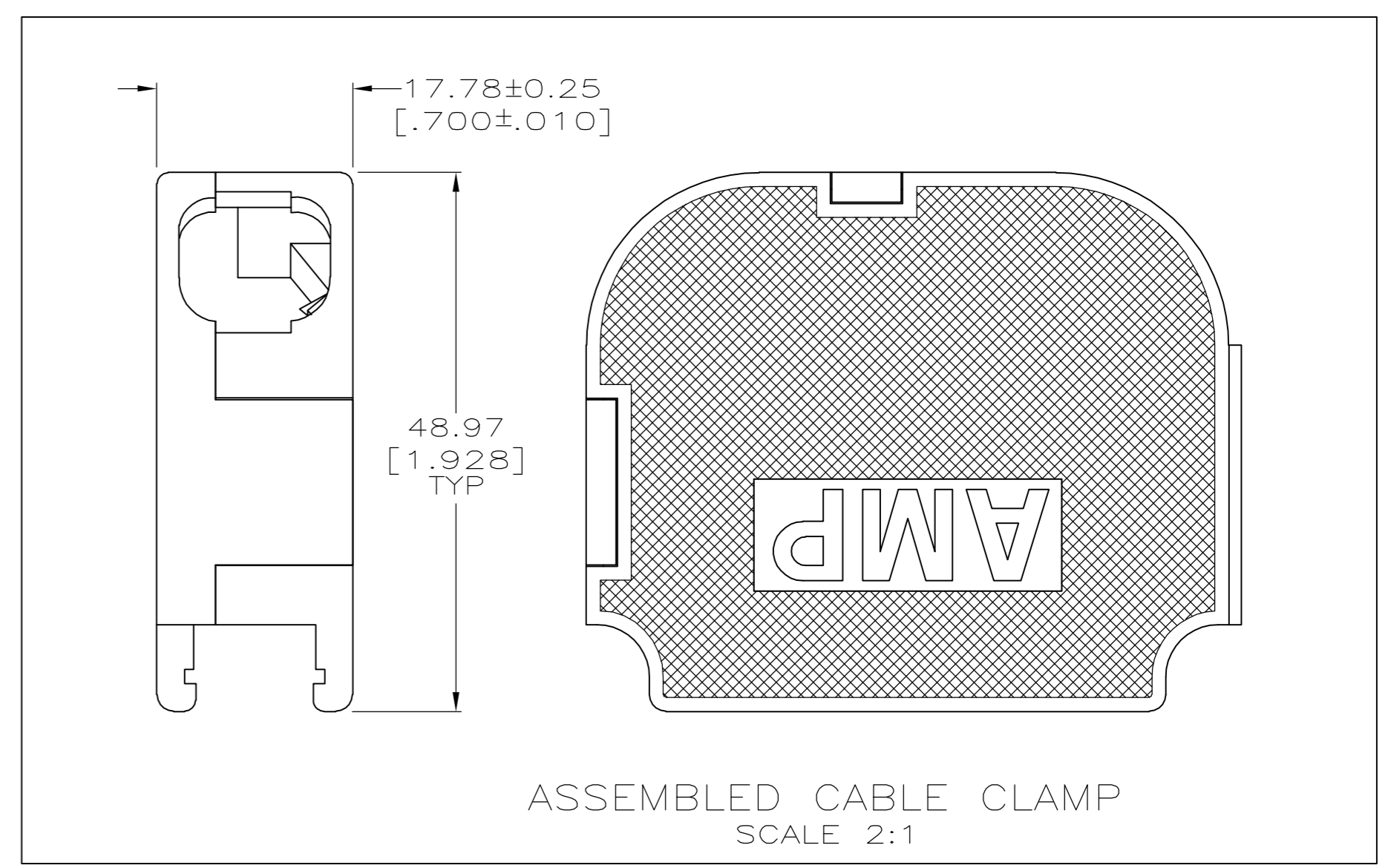
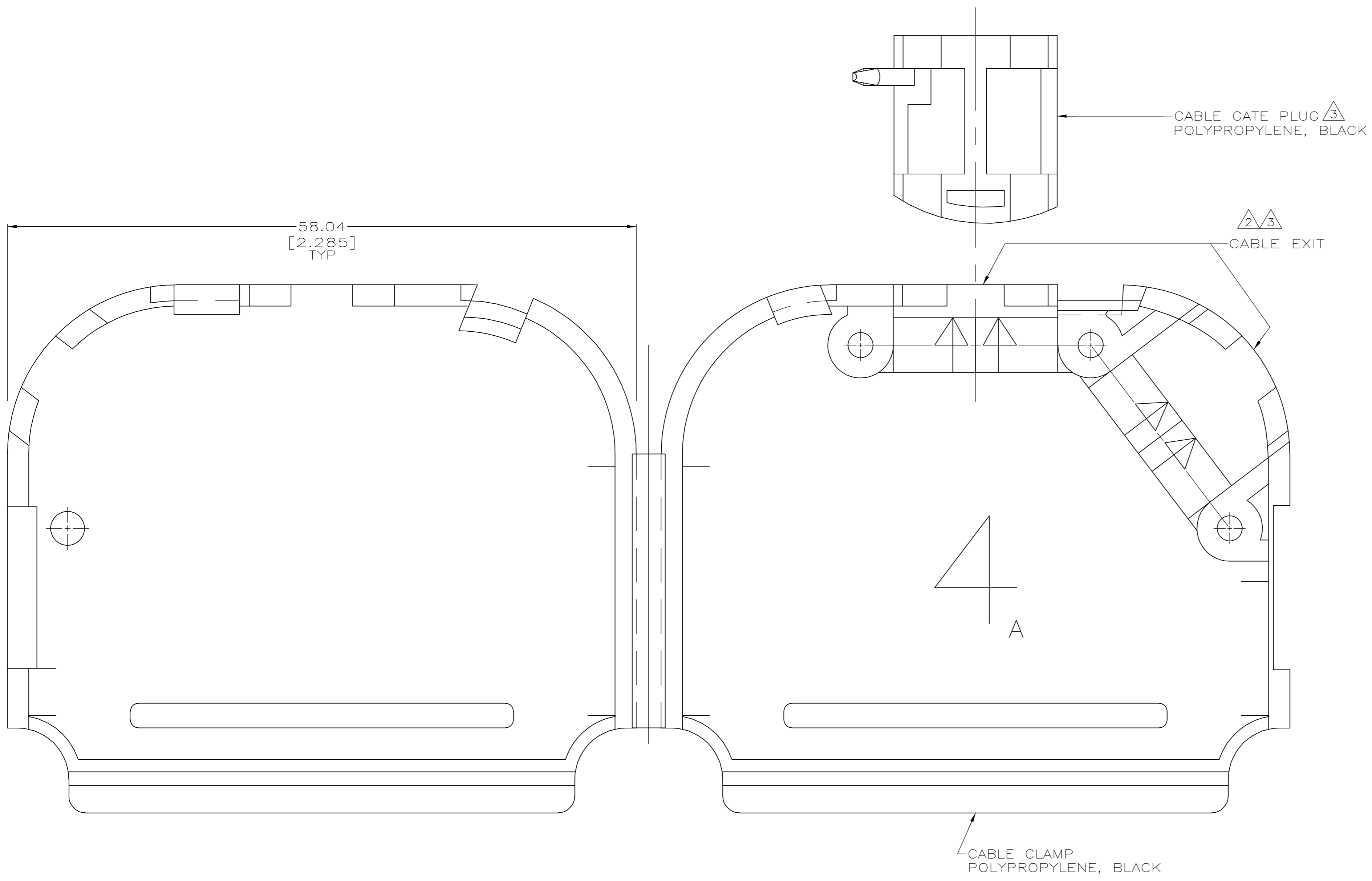
Tel: +86-755-8981 8866 Fax: +86-755-8427 6832

Email & Skype: info@chipsmall.com Web: www.chipsmall.com

Address: A1208, Overseas Decoration Building, #122 Zhenhua RD., Futian, Shenzhen, China



LOC	DIST	REVISIONS			
P	LTR	DESCRIPTION	DATE	OWN	APVD
A		REVISED PER ECN 0513-0326-05	24JUL06	JDP	CWR



- ⚠️ CLIP CAN BE INSTALLED AS SHOWN FOR SMALL DIAMETER CABLE, OR REVERSED FOR LARGE DIAMETER CABLE.
- ⚠️ CLIP MAY BE USED AT EITHER CABLE EXIT.
- ⚠️ CABLE GATE PLUG TO BE PLACED IN CABLE EXIT NOT BEING USED.
- ⚠️ RETAINER SCREWS AND RETAINER CLIPS PROVIDED WITH THIS KIT FOR USE WITH METAL SHELL CONNECTORS.
- 5. CABLE DIAMETER RANGE = 6.35-13.97 [.250-.550].

OBSOLETE	UNIT KIT	5749916-2
	BULK PACKED	5749916-1
	PACKAGING	PART NUMBER
THIS DRAWING IS A CONTROLLED DOCUMENT.		DWN: R. RICHARDSON 18SEP05 CHK: C. ROHDE 18SEP05 APVD: M. WALMSLEY 18SEP05 NAME: Tyco Electronics Corporation Harrisburg, PA 17105-3608
DIMENSIONS: INCHES TOLERANCES UNLESS OTHERWISE SPECIFIED: 0 PLC ± - 1 PLC ± - 2 PLC ± 0.13 [.005] 3 PLC ± - 4 PLC ± - ANGLES ± -		tyco Electronics Tyco Electronics Corporation Harrisburg, PA 17105-3608 NAME: M. WALMSLEY PRODUCT SPEC: CABLE CLAMP KIT, UNASSEMBLED, SIZE 4, QUIK-SNAP, 120° & 180° APPLICATION SPEC: CABLE EXIT, AMPLIMITE
MATERIAL: SEE CALLOUTS		SIZE: A1 CAGE CODE: 00779 DRAWING NO: 5749916 WEIGHT: - RESTRICTED TO: - CUSTOMER DRAWING
		SCALE: 4:1 SHEET 1 OF 1 REV A