



Chipsmall Limited consists of a professional team with an average of over 10 year of expertise in the distribution of electronic components. Based in Hongkong, we have already established firm and mutual-benefit business relationships with customers from,Europe,America and south Asia,supplying obsolete and hard-to-find components to meet their specific needs.

With the principle of “Quality Parts,Customers Priority,Honest Operation,and Considerate Service”,our business mainly focus on the distribution of electronic components. Line cards we deal with include Microchip,ALPS,ROHM,Xilinx,Pulse,ON,Everlight and Freescale. Main products comprise IC,Modules,Potentiometer,IC Socket,Relay,Connector.Our parts cover such applications as commercial,industrial, and automotives areas.

We are looking forward to setting up business relationship with you and hope to provide you with the best service and solution. Let us make a better world for our industry!



## Contact us

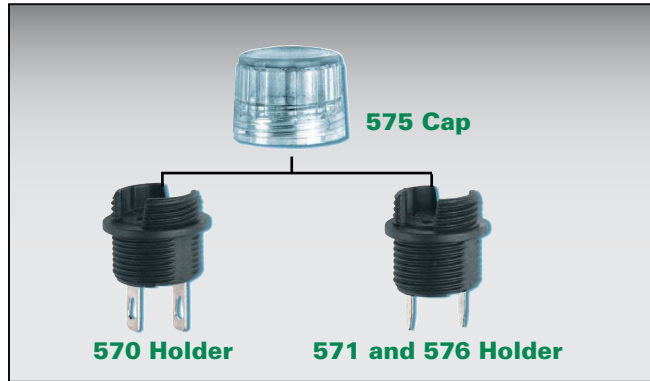
Tel: +86-755-8981 8866 Fax: +86-755-8427 6832

Email & Skype: info@chipsmall.com Web: www.chipsmall.com



Address: A1208, Overseas Decoration Building, #122 Zhenhua RD., Futian, Shenzhen, China



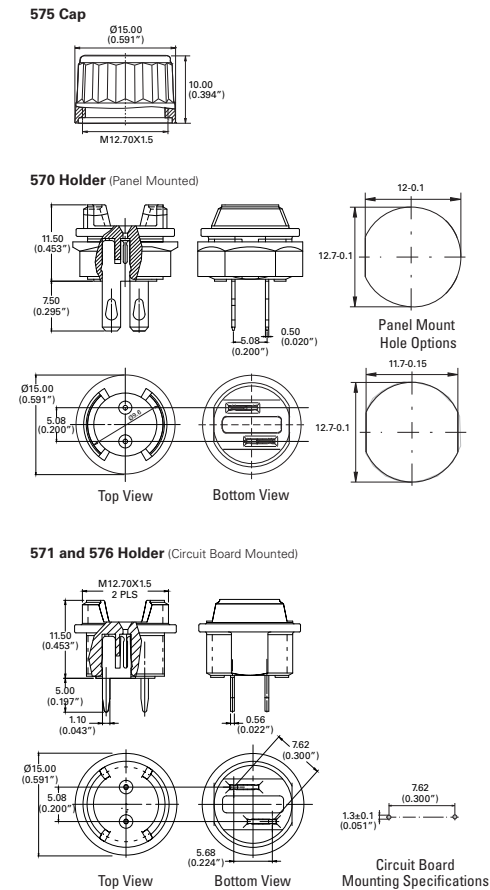
## 570/571/576 Series Fuse Holders with Cap for TE5/TR5 Type Fuses



### Agency Approvals

Agency	Agency File Number		
	570 Series	571 Series	576 Series
	E14721		
	N/A	N/A	40024733

### Dimensions units in mm (inch)



### Product Characteristics

	570 Series	571 Series	576 Series
Compatible Fuses	TR5/TE5		
Materials	<b>Holder:</b> Black Thermoplastic, UL 94 V-0		
	<b>Cap:</b> Transparent Thermoplastic Polycarbonat PC, UL94 V-0		
	<b>Metal Parts:</b> Copper alloy Solderable tinned		
Rated Voltage	250V		
Max. Current/Power:	6.3 A/2.5W	6.3 A/2.5W	6.3 A/1.6W
	<b>Panel Mounted:</b> 12.7mm diameter D-hole or double D-hole. Admissible torque on plastic hex nut is 1.2Nm		<b>Printed Circuit Board (PCB) Mounted:</b> 7.62mm hole spacing for wave soldering
Terminals	Solderable or 2.8mm quick connect – fits 0.5mm tab		Solderable pin terminals – fits 1.3mm hole
Minimum Cross Section	Conductor - 2.5mm <sup>2</sup>		Conducting path - 0.2mm <sup>2</sup>
Unit Weight	2.2g (Holder)	1.6g (Holder)	1.6g (Holder)
	0.94g (Cap)	0.94g (Cap)	0.94g (Cap)

Note: Ensure proper fuseholder re-rating.

### Ordering Information

Catalog Number	Description	Packaging
<b>570 0000 0001</b>	<b>Holder:</b> Panel Mount w/ Quick Connect Terminals	Bulk Pack 100
<b>571 0000 0001</b>	<b>Holder:</b> PCB Mount w/ Solderable Pin Terminals - 2.5W Max	Bulk Pack 100
<b>576 0000 0001</b>	<b>Holder:</b> PCB Mount w/ Solderable Pin Terminals - 1.6W Max	Bulk Pack 100
<b>575 0000 0001</b>	<b>Cap:</b> Fits all holders 570, 571 and 576 series	Bulk Pack 100

### Additional Information



**Datasheet 570 Series**



**Resources 570 Series**



**Samples 570 Series**



**Datasheet 571 Series**



**Resources 571 Series**



**Samples 571 Series**



**Datasheet 576 Series**



**Resources 576 Series**



**Samples 576 Series**