



Chipsmall Limited consists of a professional team with an average of over 10 year of expertise in the distribution of electronic components. Based in Hongkong, we have already established firm and mutual-benefit business relationships with customers from,Europe,America and south Asia,supplying obsolete and hard-to-find components to meet their specific needs.

With the principle of “Quality Parts,Customers Priority,Honest Operation,and Considerate Service”,our business mainly focus on the distribution of electronic components. Line cards we deal with include Microchip,ALPS,ROHM,Xilinx,Pulse,ON,Everlight and Freescale. Main products comprise IC,Modules,Potentiometer,IC Socket,Relay,Connector.Our parts cover such applications as commercial,industrial, and automotives areas.

We are looking forward to setting up business relationship with you and hope to provide you with the best service and solution. Let us make a better world for our industry!



## Contact us

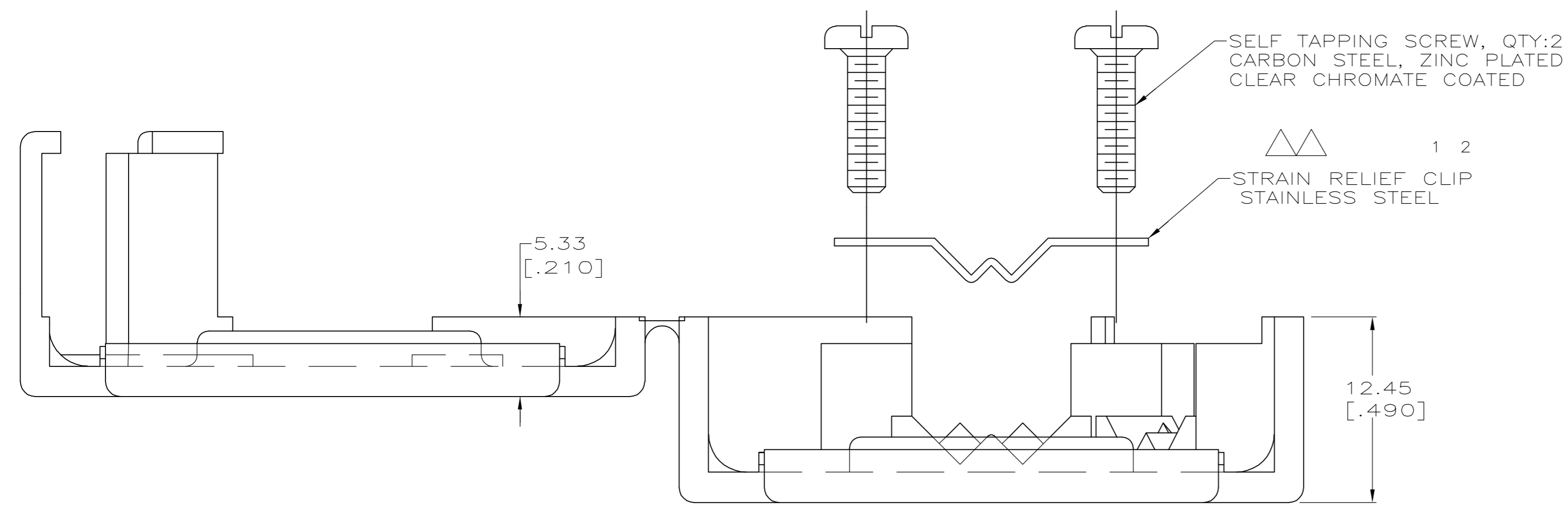
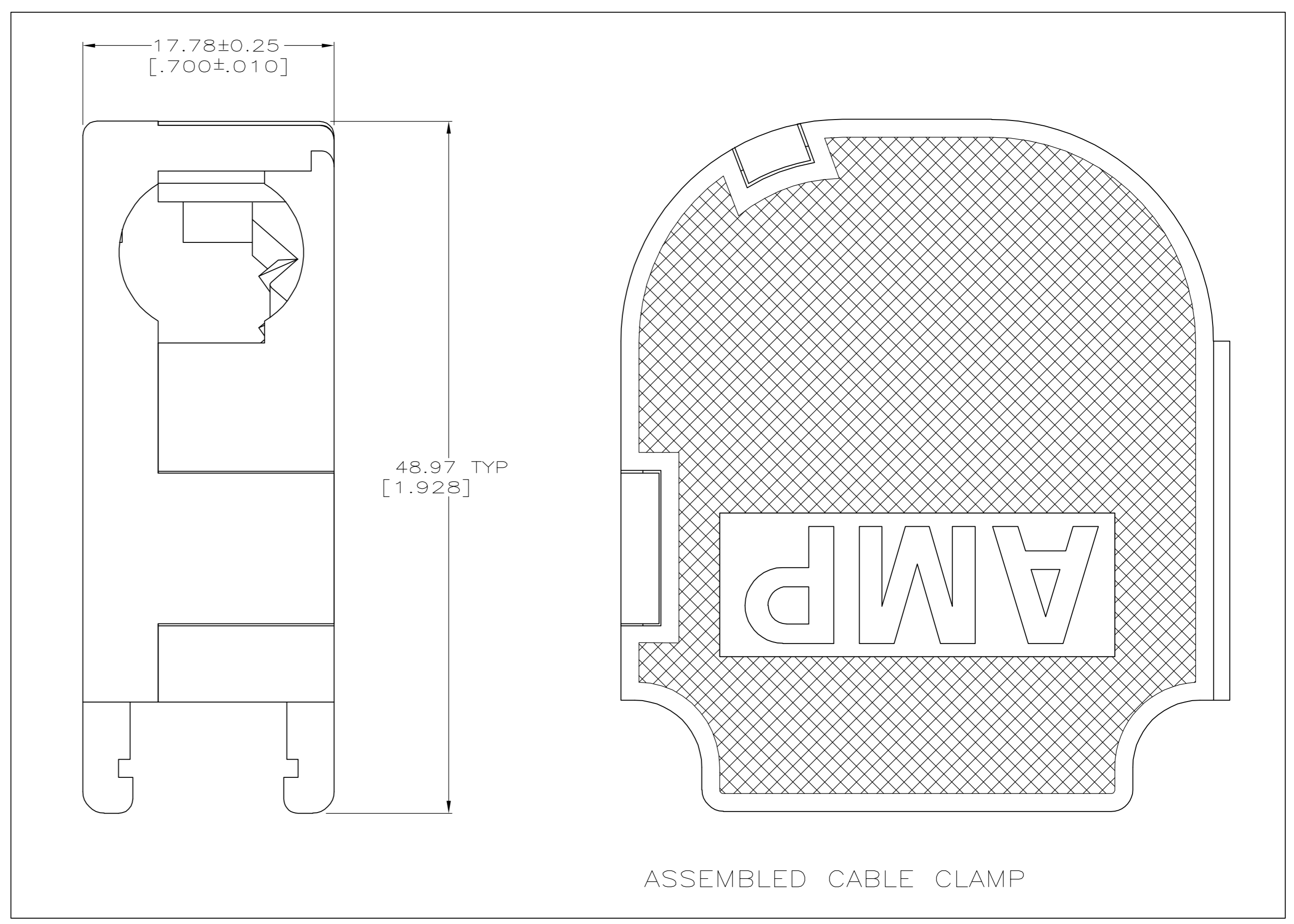
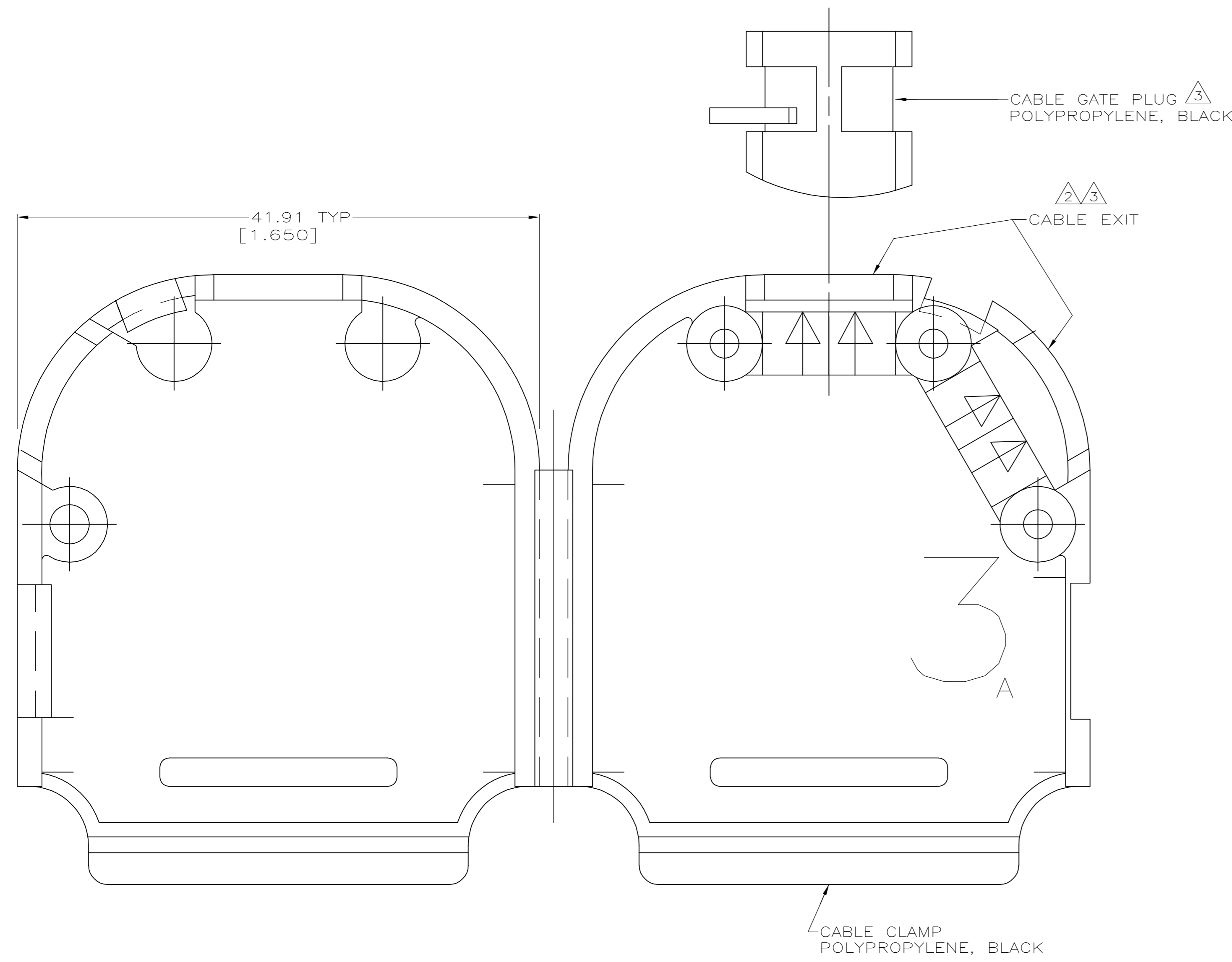
Tel: +86-755-8981 8866 Fax: +86-755-8427 6832

Email & Skype: info@chipsmall.com Web: www.chipsmall.com

Address: A1208, Overseas Decoration Building, #122 Zhenhua RD., Futian, Shenzhen, China



LOC		DIST		REVISIONS			
GP	00	P	LTR	DESCRIPTION	DATE	DWN	APVD
		0		RELEASED PER EC 0513-0221-05	18SEP05	RR	JG



- ▲ CLIP CAN BE INSTALLED AS SHOWN FOR SMALL DIAMETER CABLE, OR REVERSED FOR LARGE DIAMETER CABLE.
- ▲ CLIP MAY BE USED AT EITHER CABLE EXIT.
- ▲ CABLE GATE PLUG TO BE PLACED IN CABLE EXIT NOT BEING USED.
- 4. CABLE DIAMETER RANGE = 4.57-11.68 [.180-.460].

UNIT KIT	5750078-1
PACKAGING	PART NO

THIS DRAWING IS A CONTROLLED DOCUMENT.		DWN R. RICHARDSON 18SEP05	tyco Electronics	Tyco Electronics Corporation Harrisburg, PA 17105-3608
DIMENSIONS: INCHES		CHK C. ROHDE 18SEP05	NAME M. WALMSLEY 18SEP05	PRODUCT SPEC
TOLERANCES UNLESS OTHERWISE SPECIFIED:		APPLICATION SPEC		
0 PLC	± -	SIZE		
1 PLC	± -	CAGE CODE		
2 PLC	± -	DRAWING NO		
3 PLC	± 0.1[.005]	RESTRICTED TO		
4 PLC	± -	A1 00779 ©=5750078		
ANGLES	± -	CUSTOMER DRAWING		
MATERIAL SEE CALLOUTS		FINISH SEE CALLOUTS		SCALE 4:1 SHEET 1 OF 1 REV 0