



Chipsmall Limited consists of a professional team with an average of over 10 year of expertise in the distribution of electronic components. Based in Hongkong, we have already established firm and mutual-benefit business relationships with customers from,Europe,America and south Asia,supplying obsolete and hard-to-find components to meet their specific needs.

With the principle of "Quality Parts,Customers Priority,Honest Operation,and Considerate Service",our business mainly focus on the distribution of electronic components. Line cards we deal with include Microchip,ALPS,ROHM,Xilinx,Pulse,ON,Everlight and Freescale. Main products comprise IC,Modules,Potentiometer,IC Socket,Relay,Connector.Our parts cover such applications as commercial,industrial, and automotives areas.

We are looking forward to setting up business relationship with you and hope to provide you with the best service and solution. Let us make a better world for our industry!



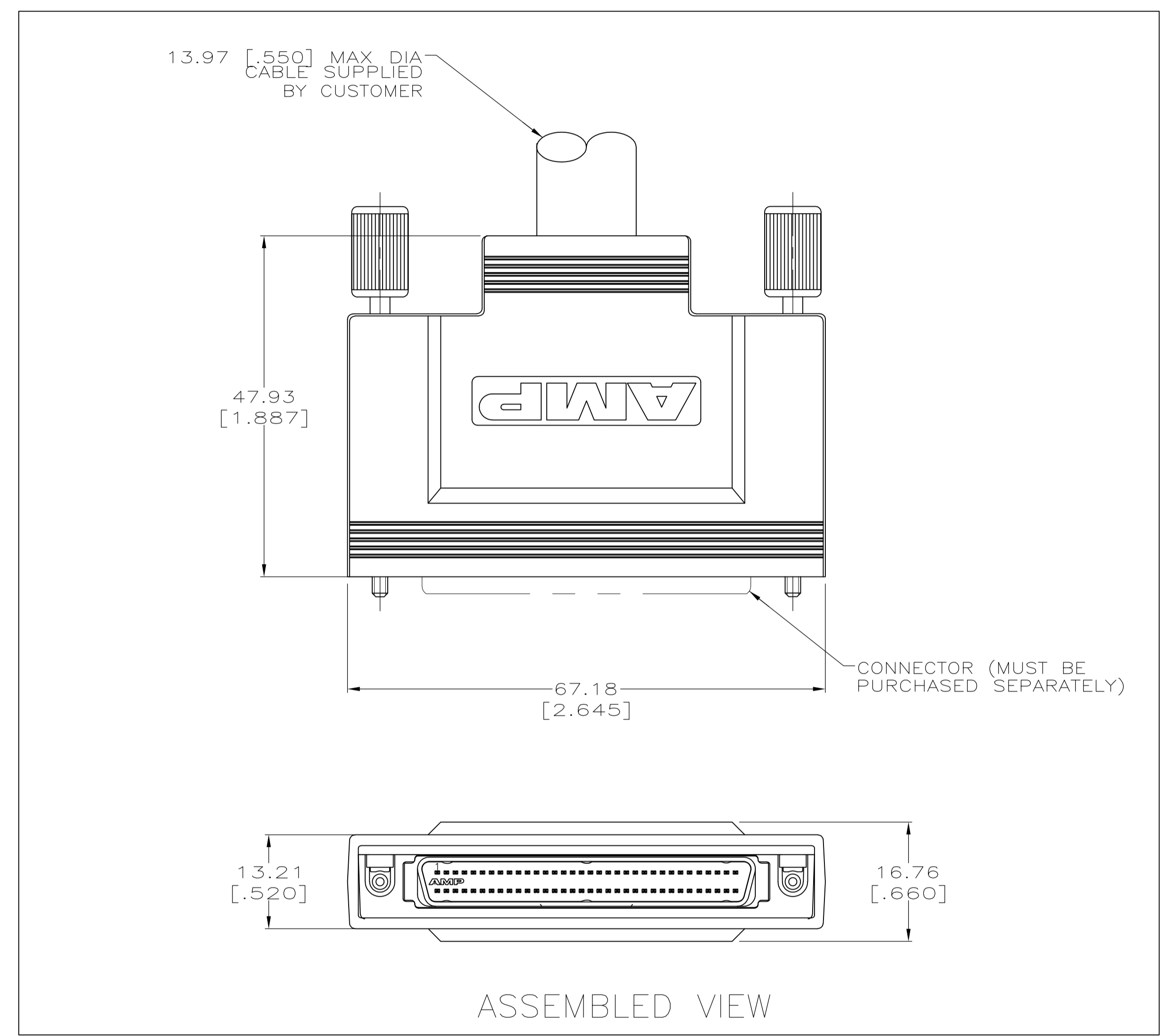
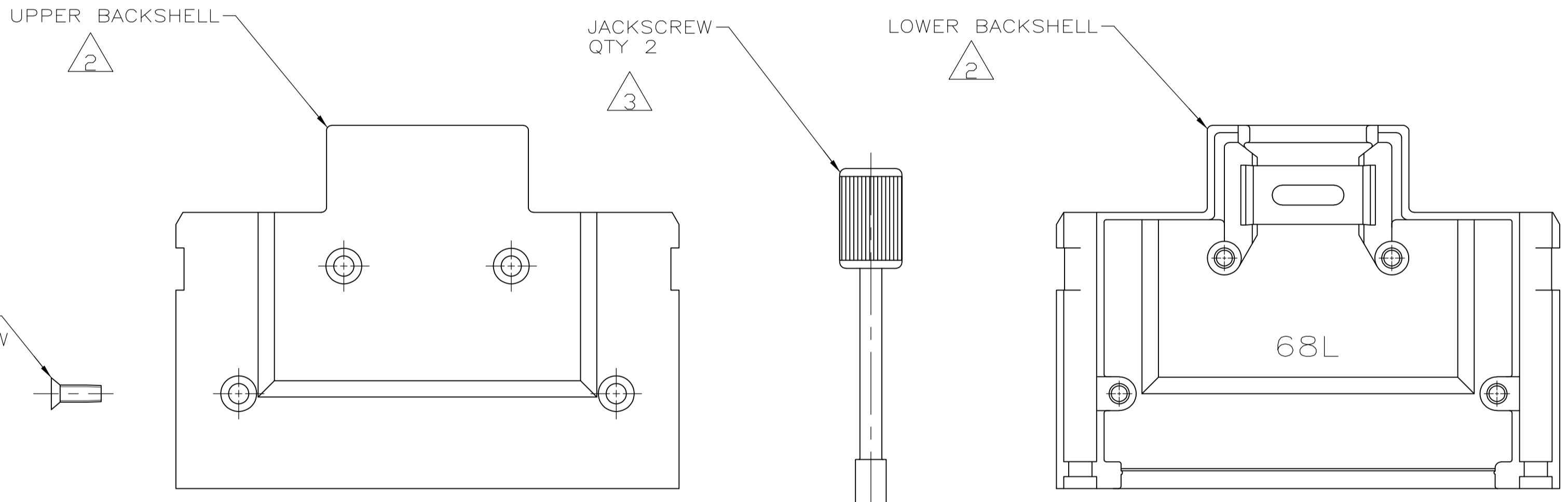
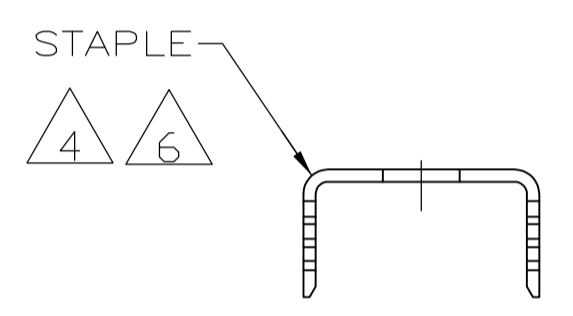
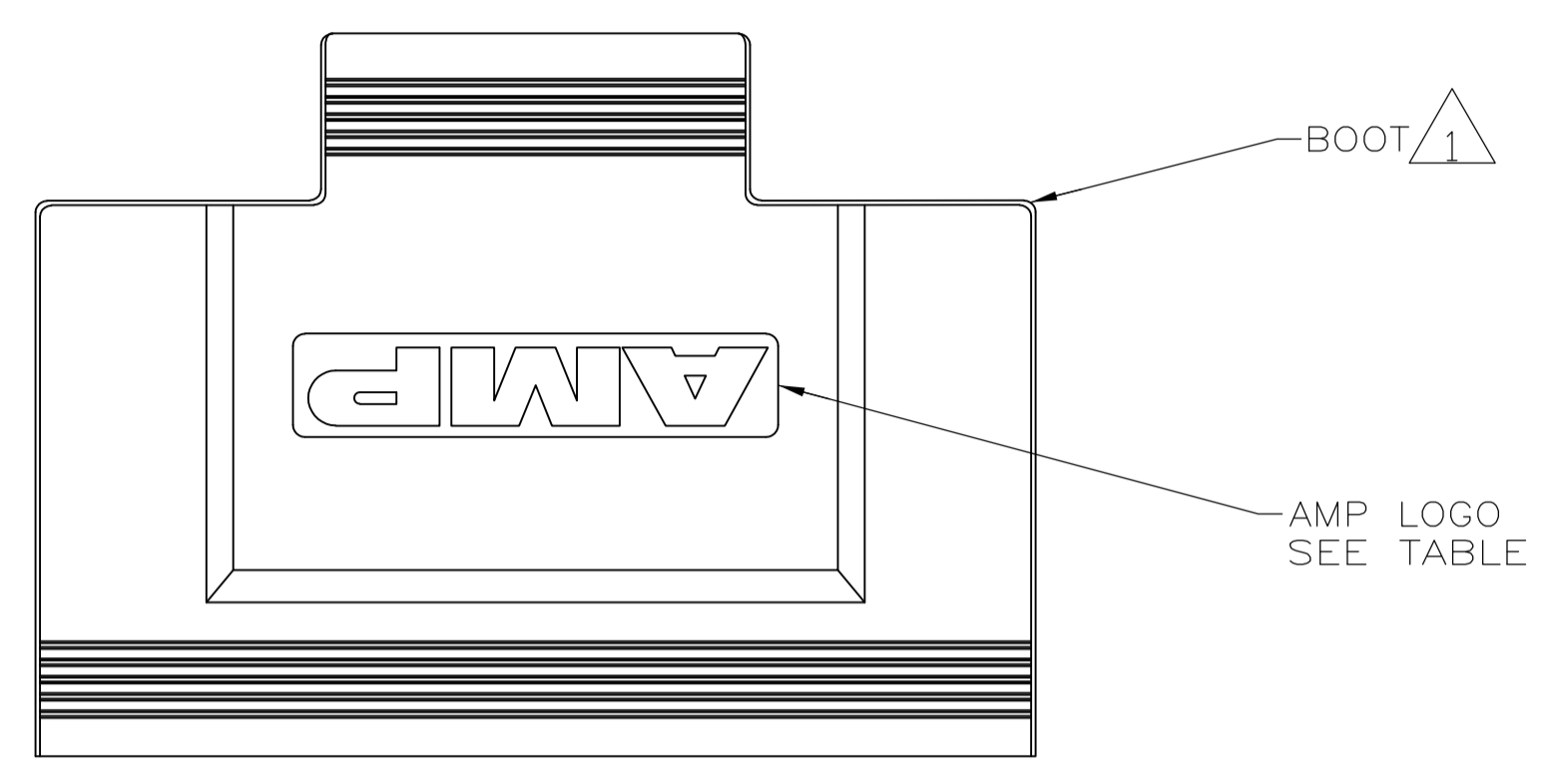
## Contact us

Tel: +86-755-8981 8866 Fax: +86-755-8427 6832

Email & Skype: info@chipsmall.com Web: www.chipsmall.com

Address: A1208, Overseas Decoration Building, #122 Zhenhua RD., Futian, Shenzhen, China





- 1 PVC, BLACK.
- 2 ZINC.
- 3 STAINLESS STEEL & PVC, BLACK.
- 4 CARBON STEEL.
- 5 STAINLESS STEEL.
- 6 1.27µm [.000050] MIN BRIGHT TIN OVER 1.27µm [.000050] MIN NICKEL.
- 7 PARTS INDIVIDUAL BULK PACKAGED.
- 8 PARTS PACKAGED AS A UNIT KIT.
- 9 OBSOLETE PARTS: OBSOLETE CIS STREAMLINING PER D.RENAUD/D.SINISI

OBSOLETE 9	NO	YES	2-56	7	5750752-5
	YES	YES	2-56	8	5750752-4
	NO	NO	2-56	9	5750752-3
	YES	YES	4-40	10	5750752-2
	YES	YES	2-56	11	5750752-1
	AMP LOGO	BOOT	JACKSCREW THREAD	PART NUMBER	

**COPYRIGHT 2005  
TYCO ELECTRONICS CORP  
ALL RIGHTS RESERVED**

THIS DRAWING IS A CONTROLLED DOCUMENT. DIMENSIONING AND TOLERANCING PER ASME Y14.5M-2009

DIMENSIONS: INCHES

TOLERANCES UNLESS OTHERWISE SPECIFIED:

0. PLC	± .005
1. PLC	± .005
2. PLC	± .010
3. PLC	± .010
4. PLC	± .010
ANGLES	± .010

MATERIAL: - FINISH: -

APPROVED: G. PETERS, S. SHUEY, M. WALMSLEY

DATE: 26AUG05

NAME: M. WALMSLEY

APPLICATION SPEC: -

SIZE: A1

CAGE CODE: 00779

DRAWING NO: 5750752

RESTRICTED TO: -

WEIGHT: -

CUSTOMER DRAWING

SCALE: 1:1

SHEET: 1 OF 1

REV: B

STE TE Connectivity

BACKSHELL KIT, UNASSEMBLED, 68 POSN, AMPLIMITE .050 Series