



Chipsmall Limited consists of a professional team with an average of over 10 year of expertise in the distribution of electronic components. Based in Hongkong, we have already established firm and mutual-benefit business relationships with customers from,Europe,America and south Asia,supplying obsolete and hard-to-find components to meet their specific needs.

With the principle of "Quality Parts,Customers Priority,Honest Operation,and Considerate Service",our business mainly focus on the distribution of electronic components. Line cards we deal with include Microchip,ALPS,ROHM,Xilinx,Pulse,ON,Everlight and Freescale. Main products comprise IC,Modules,Potentiometer,IC Socket,Relay,Connector.Our parts cover such applications as commercial,industrial, and automotives areas.

We are looking forward to setting up business relationship with you and hope to provide you with the best service and solution. Let us make a better world for our industry!



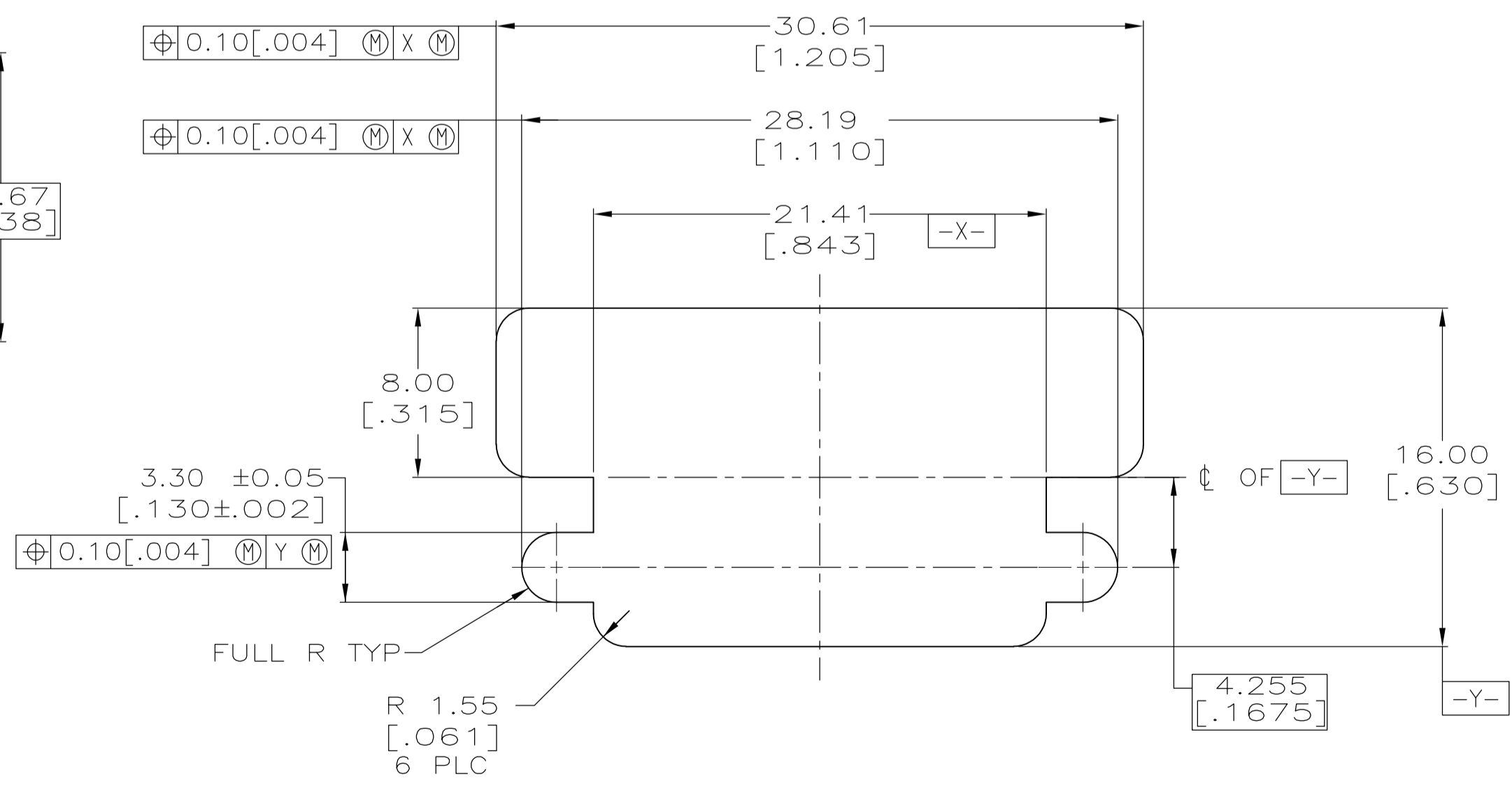
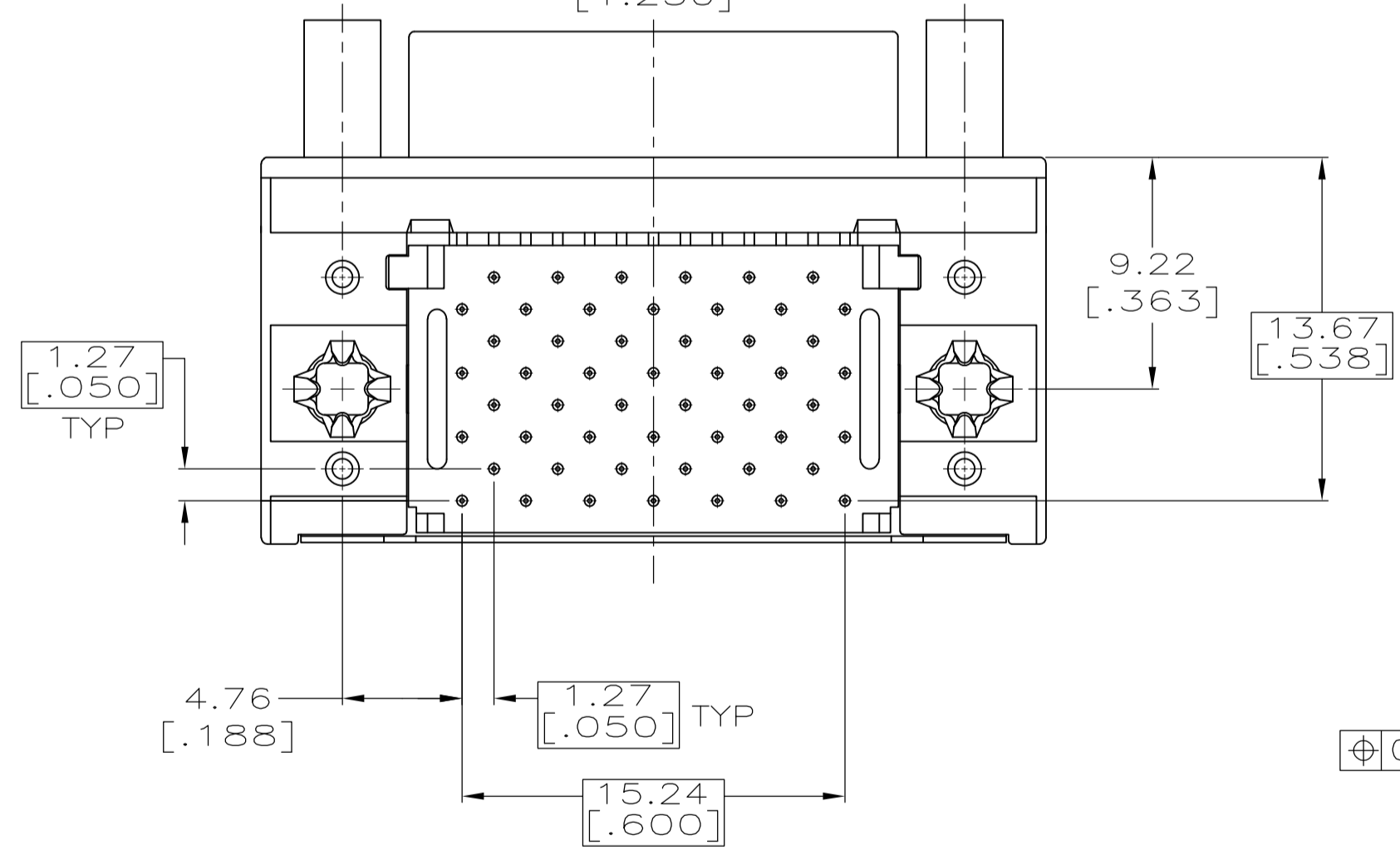
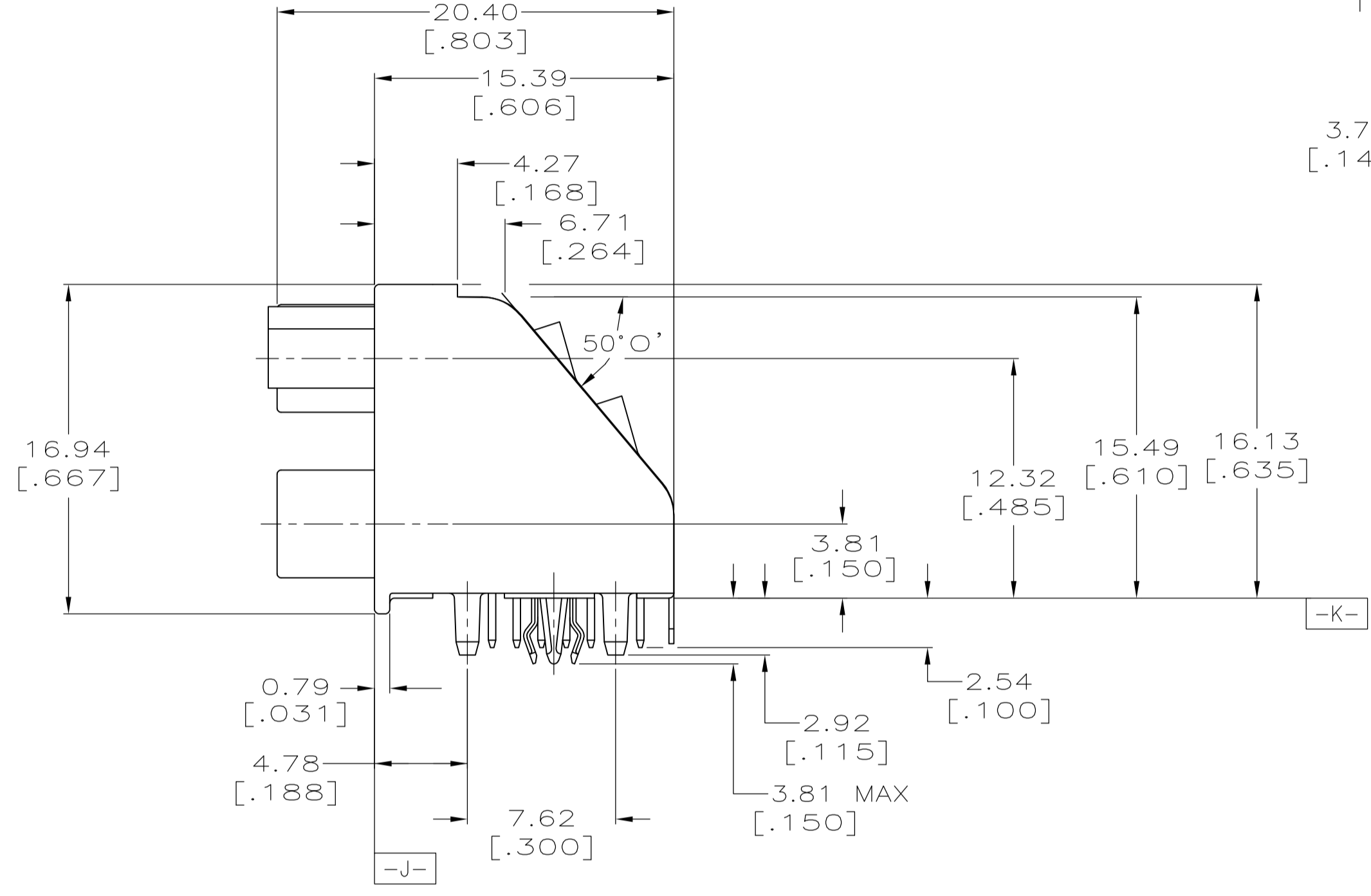
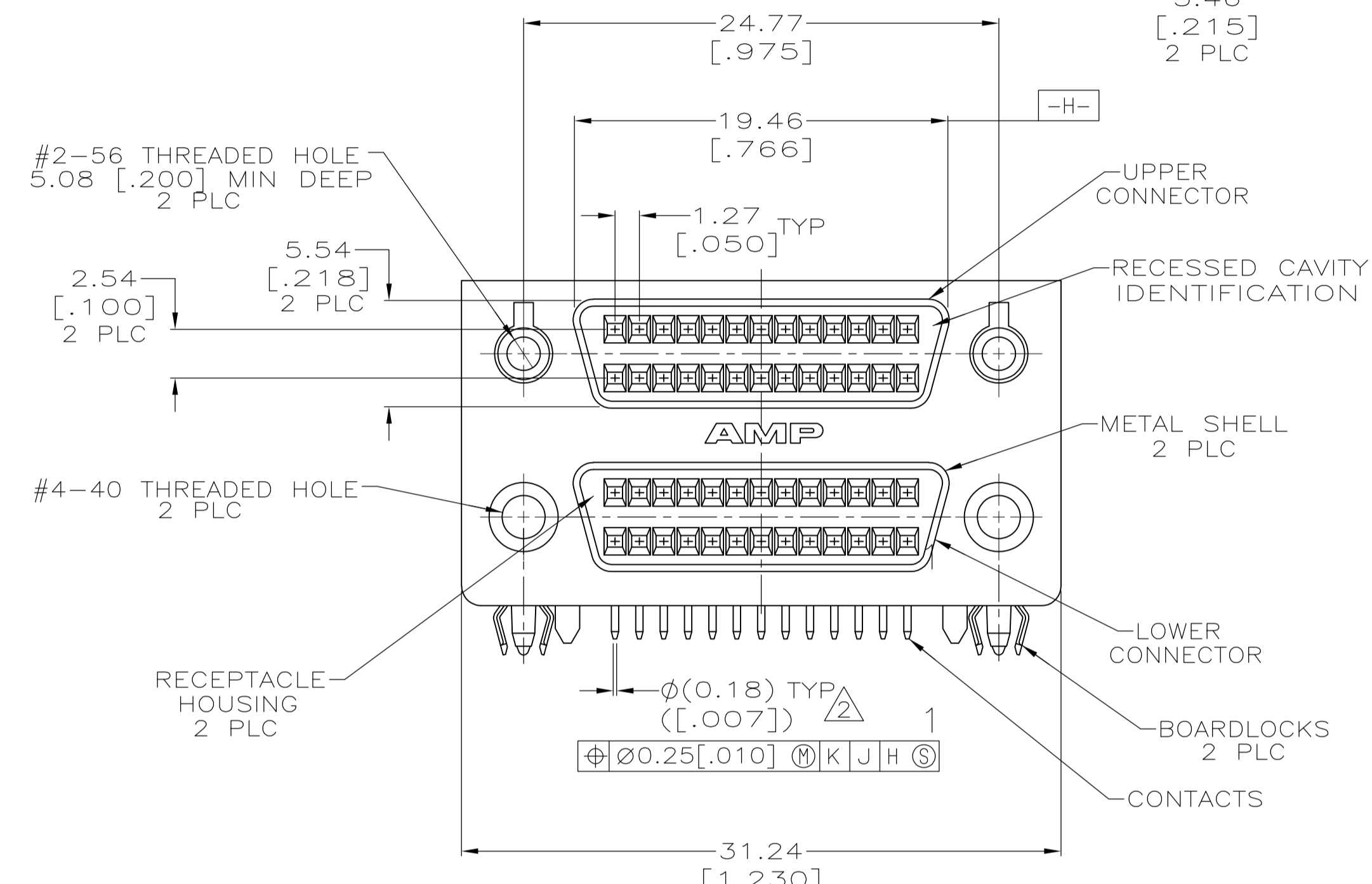
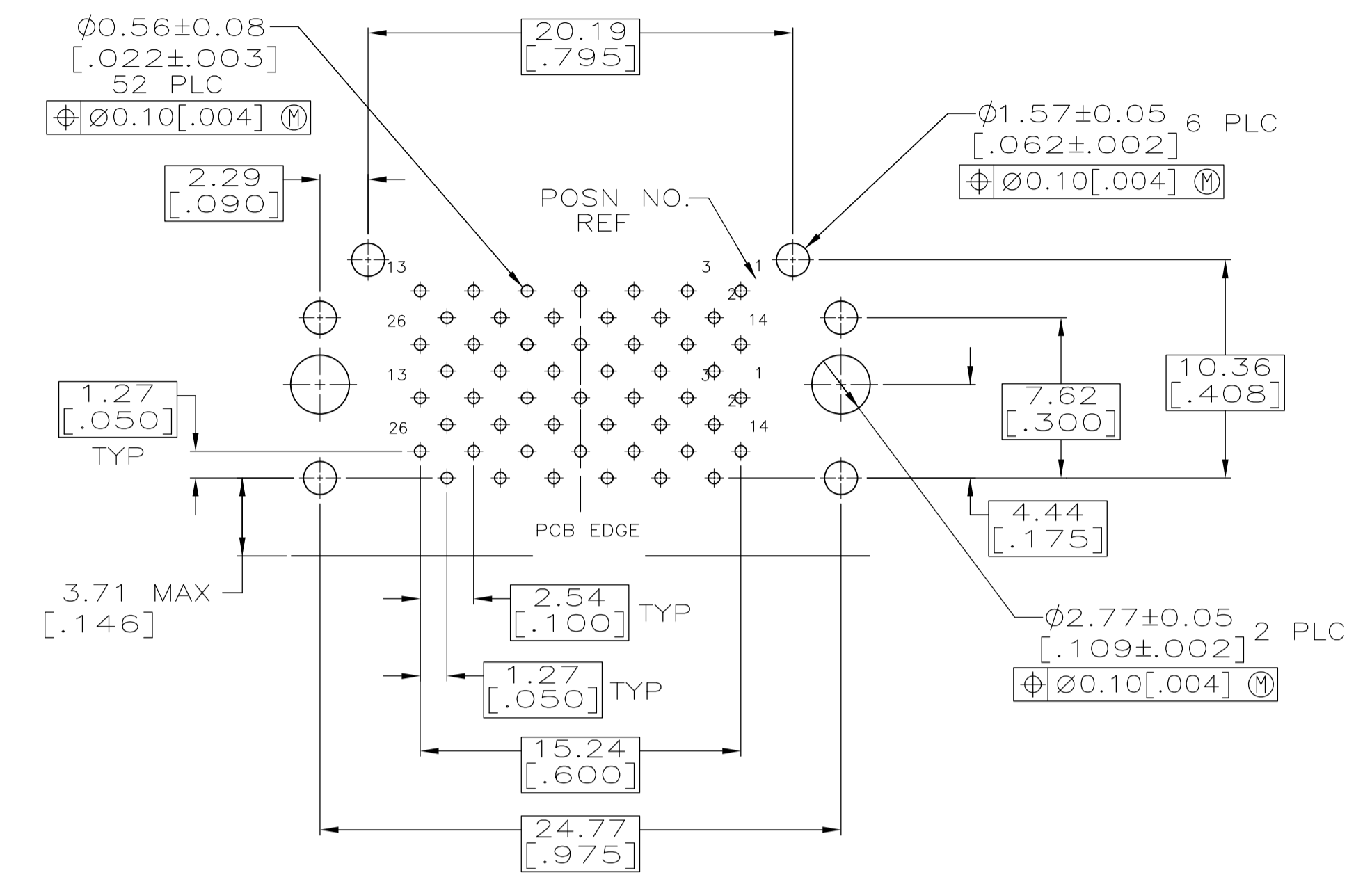
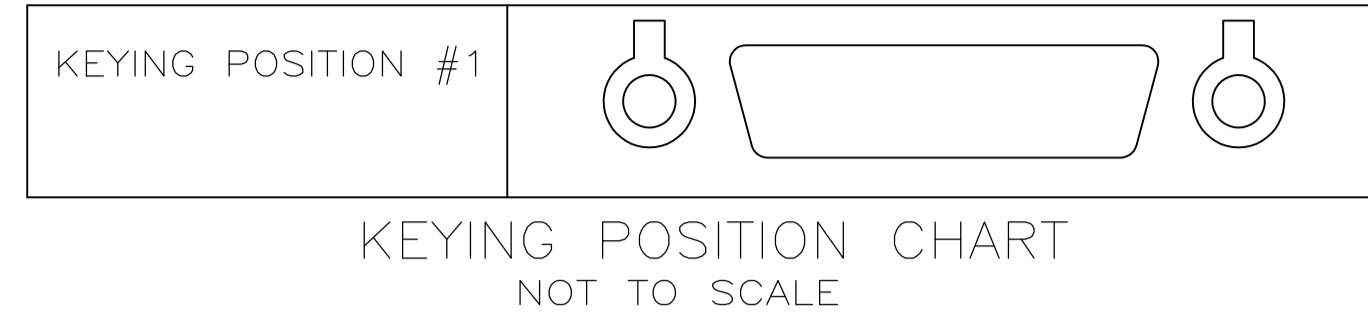
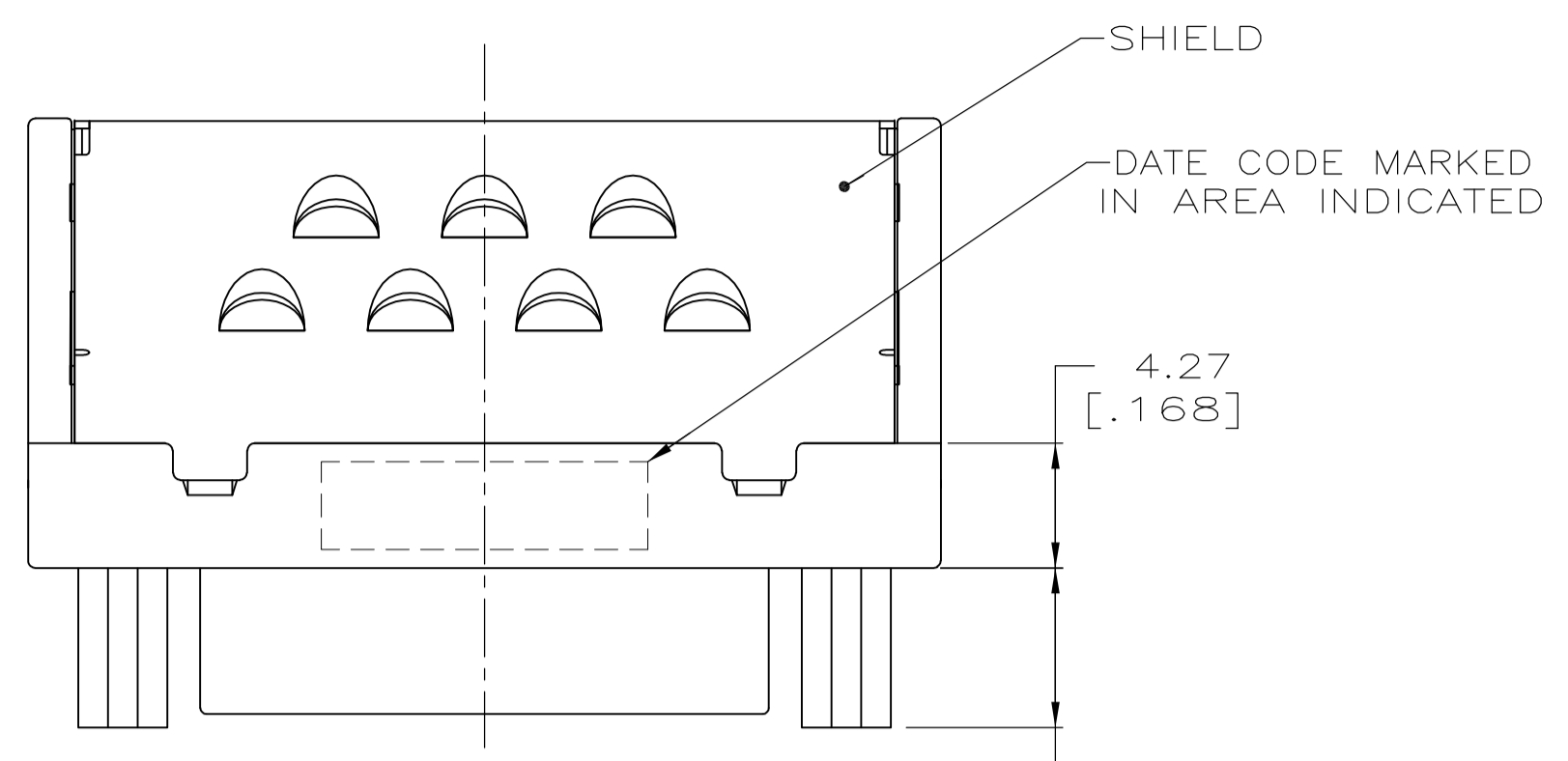
Contact us

Tel: +86-755-8981 8866 Fax: +86-755-8427 6832

Email & Skype: info@chipsmall.com Web: www.chipsmall.com

Address: A1208, Overseas Decoration Building, #122 Zhenhua RD., Futian, Shenzhen, China





- 1 GOLD FLASH OVER PALLADIUM-NICKEL PLATE, 0.00076 [0.00030] MIN TOTAL ON MATING SURFACES, 0.0038 [0.00150] MIN TIN PLATE ON SOLDER-TAILS, 0.00127 [0.00050] MIN NICKEL UNDERPLATE ON ENTIRE CONTACT. -OR- 0.00076 [0.00030] MIN GOLD PLATE ON MATING SURFACES, 0.0038 [0.00150] MIN TIN PLATE ON SOLDER-TAILS, 0.00127 [0.00050] MIN NICKEL UNDERPLATE ON ENTIRE CONTACT
- 2 POSITION TOLERANCE APPLIES AT TIP ONLY.
- 3 MATERIAL: CONTACTS-PHOSPHOR BRONZE, RECEPTACLE HOUSING-UL 94V-0 RATED LCP, COLOR BLACK, BRACKET-ZINC, METAL SHELL-CARBON STEEL, BOARDLOCKS-COPPER ALLOY, SHIELD: PHOSPHOR BRONZE.
- 4 METAL SHELL: 0.00508-0.01016[.000200-.000400] TIN OVER 0.00127-0.00254 [.000050-.000100] COPPER.
- 5 BRACKET: 0.00508-0.01016[.000200-.000400] TIN OVER 0.00508-0.00762 [.000200-.000300] COPPER.
- 6 BOARDLOCKS: 0.00508-0.01016[.000200-.000400] TIN OVER 0.00127-0.00254 [.000050-.000100] NICKEL.
- 7 SHIELD: 0.00254-0.00635[.000100-.000250] TIN.

**COPYRIGHT 2005
 TYCO ELECTRONICS CORP
 ALL RIGHTS RESERVED**

1	UNKEYED	5750821-1
UPPER CONNECTOR	LOWER CONNECTOR	PART NUMBER
KEYING POSITIONS		

THIS DRAWING IS A CONTROLLED DOCUMENT.		DIN G. ATTADIA - 03-01-05	Tyco Electronics Corporation Harrisburg, Pa 17105-3608
DIMENSIONS: INCHES		CIK S. SHUEFY 03-01-05	
TOLERANCES UNLESS OTHERWISE SPECIFIED:		APVD M. WALMSLEY 03-01-05	NAME RECEPTACLE ASSEMBLY, SHIELDED, 52 POSN, KEY 1 & UNKEYED, STACKED RIGHT ANGLE, AMPLIMITE .050 Series SLIMLINE
0 PLC ± -		PRODUCT SPEC	
1 PLC ± -		APPLICATION SPEC	SIZE 108-1366
2 PLC ± 0.13 [0.005]		APPLICATION SPEC	SCALE 114-40036
3 PLC ± -		WEIGHT	RESTRICTED TO
4 PLC ± -		FINISH	A1 00779 C=5750821
ANGLES ± ±		CUSTOMER DRAWING	SCALE 4:1 SHEET 1 OF 1 REV A