



Chipsmall Limited consists of a professional team with an average of over 10 year of expertise in the distribution of electronic components. Based in Hongkong, we have already established firm and mutual-benefit business relationships with customers from,Europe,America and south Asia,supplying obsolete and hard-to-find components to meet their specific needs.

With the principle of "Quality Parts,Customers Priority,Honest Operation,and Considerate Service",our business mainly focus on the distribution of electronic components. Line cards we deal with include Microchip,ALPS,ROHM,Xilinx,Pulse,ON,Everlight and Freescale. Main products comprise IC,Modules,Potentiometer,IC Socket,Relay,Connector.Our parts cover such applications as commercial,industrial, and automotives areas.

We are looking forward to setting up business relationship with you and hope to provide you with the best service and solution. Let us make a better world for our industry!



Contact us

Tel: +86-755-8981 8866 Fax: +86-755-8427 6832

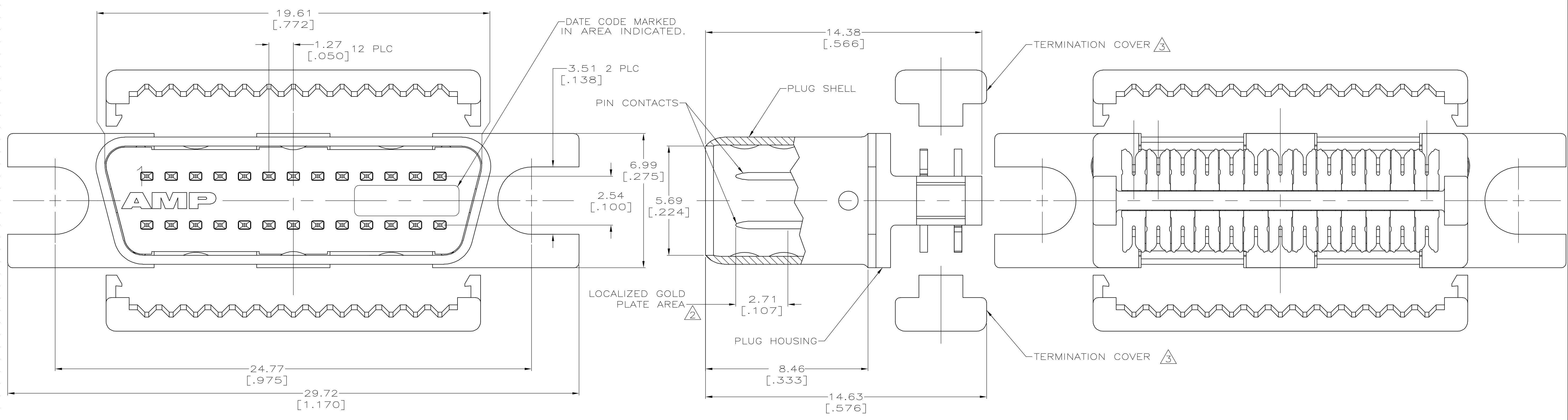
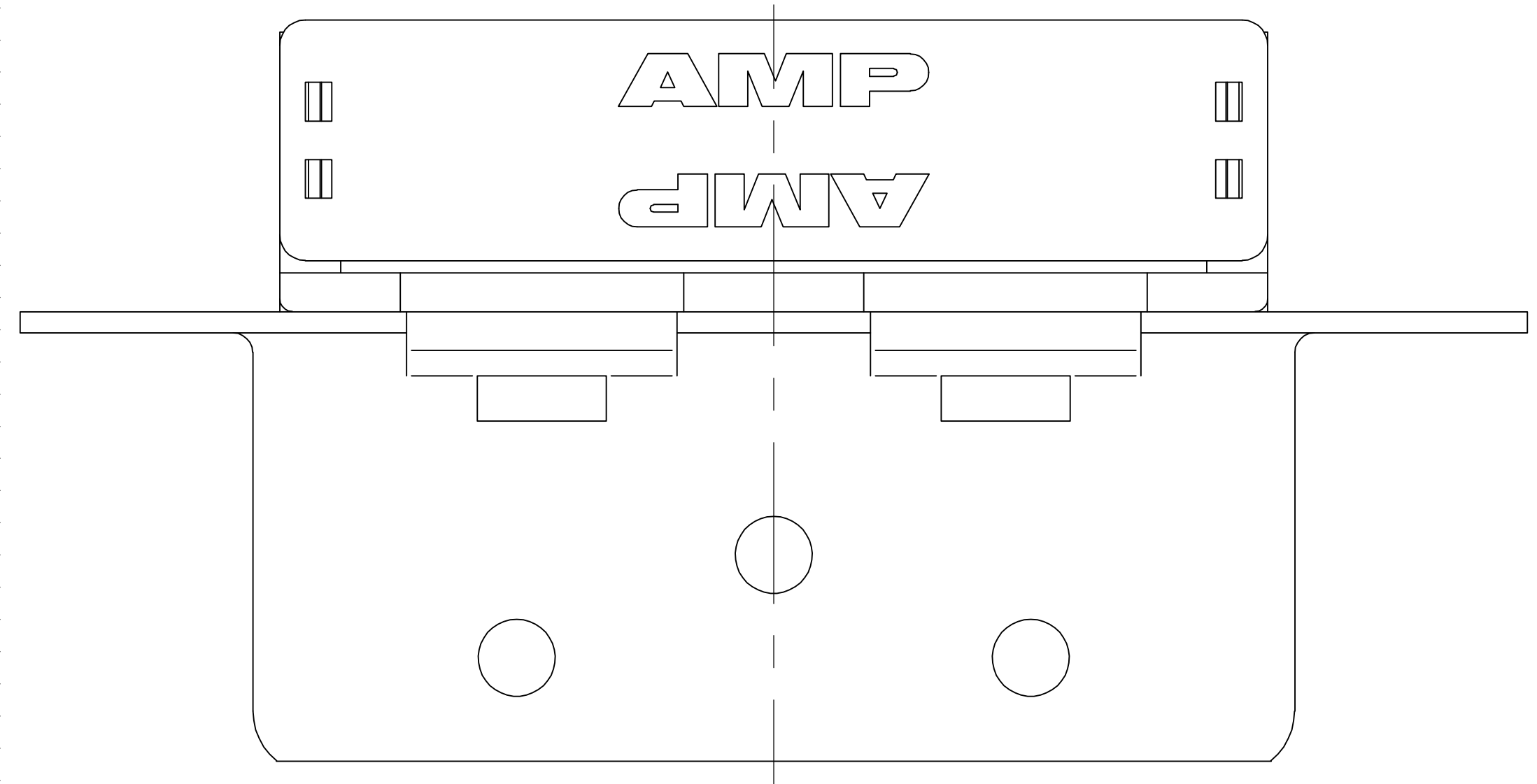
Email & Skype: info@chipsmall.com Web: www.chipsmall.com

Address: A1208, Overseas Decoration Building, #122 Zhenhua RD., Futian, Shenzhen, China



LOC		DIST		REVISIONS			
P	LR	DATE	DWN	APPD			
GP	00	0		RELEASED PER EC 0513-0684-04	02-23-05	LV	JG

- 1 MATERIAL:
 PIN CONTACTS: PHOSPHOR BRONZE.
 PLUG SHELL: STEEL.
 PLUG HOUSING AND TERMINATION COVERS: UL V-O RATED POLYESTER THERMOPLASTIC, COLOR BLACK.
- 2 FINISH:
 PIN CONTACTS: 0.00076 [.000030] MINIMUM GOLD PLATE IN LOCALIZED GOLD PLATE AREA, 0.00127 [.000050] MINIMUM TIN PLATE IN TERMINATION AREA, ALL OVER 0.00127 [.000050] MINIMUM NICKEL.
 PLUG SHELL: 0.00508 [.000200] MINIMUM TIN PLATE OVER 0.00127 [.000050] MINIMUM COPPER.
- 3 TERMINATION COVERS ARE PACKAGED SEPARATELY.
- 4. DIMENSIONS IN BRACKETS ARE IN INCHES.
- 5. RECOMMENDED WIRE:
 28 AWG- 0.81 [.032] MAX O.D. PVC OR POLYETHYLENE INSULATION.



**COPYRIGHT 2005
 TYCO ELECTRONICS CORP
 ALL RIGHTS RESERVED**

5750833-1
 PART NO

THIS DRAWING IS A CONTROLLED DOCUMENT.		DWN L. VARELA - DOCKS 02-23-05	02-23-05	Tyco Electronics Corporation Harrisburg, Pa 17105-3608
DIMENSIONS: mm(INCHES)		CHK S. SHUEY 02-23-05	02-23-05	
TOLERANCES UNLESS OTHERWISE SPECIFIED:		APVD M. WALMSLEY 02-23-05	NAME	PLUG KIT,CABLE CONNECTOR,26 POSITION, SLIMLINE, AMPLITIME .050 Series
0 PLC ± - 1 PLC ± - 2 PLC ± 0.13 [.005] 3 PLC ± - 4 PLC ± - ANGLES ± -		PRODUCT SPEC	APPLICATION SPEC	
MATERIAL	FINISH	WEIGHT	SIZE	RESTRICTED TO
			A1 00779 C=5750833	
CUSTOMER DRAWING		SCALE	SHEET	REV
		4:1	1 OF 1	0